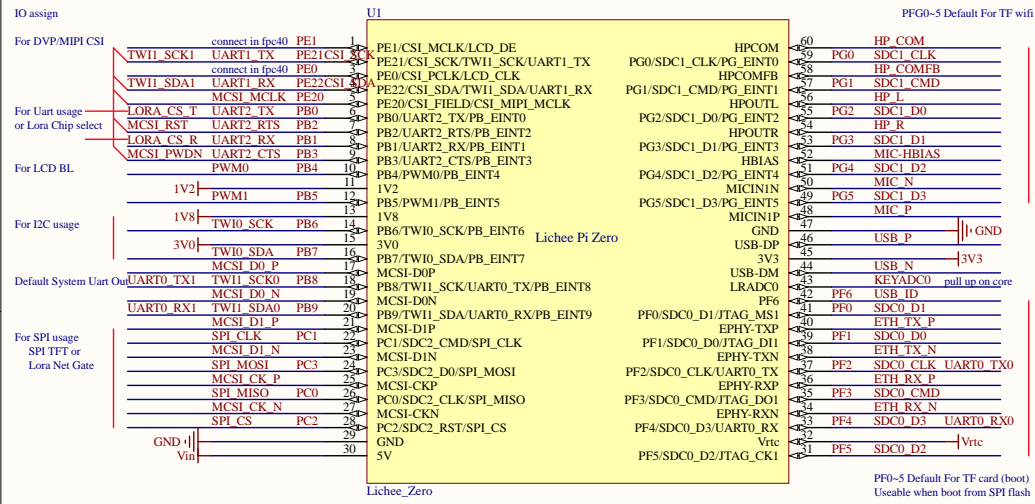
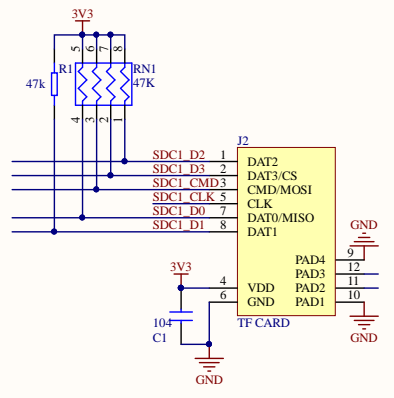


Lichee Zero Core

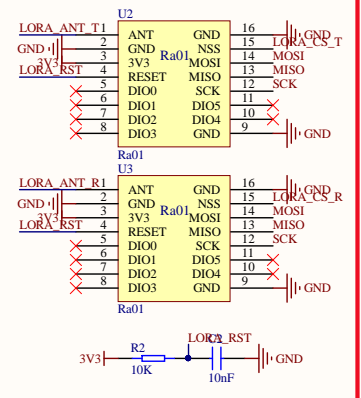


PF0-5 Default For TF card (boot)
Useable when boot from SPI flash

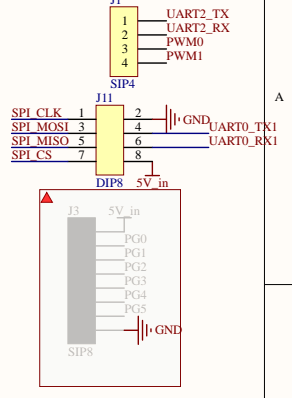
extra TF Slot for tf wifi module



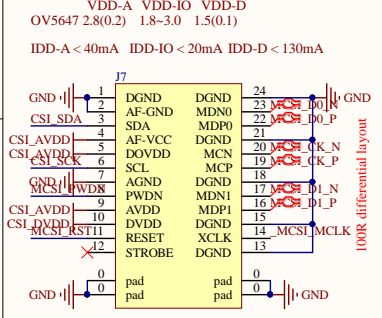
Lora Net Gate default NP



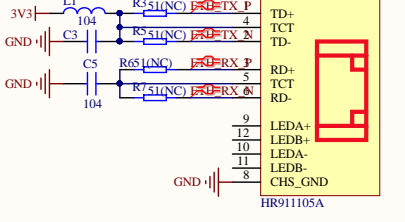
GPIO



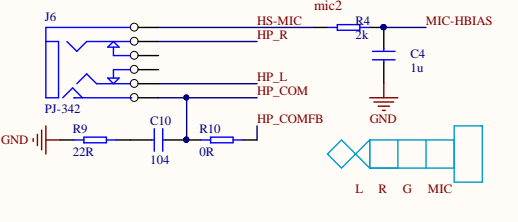
MCSI Interface



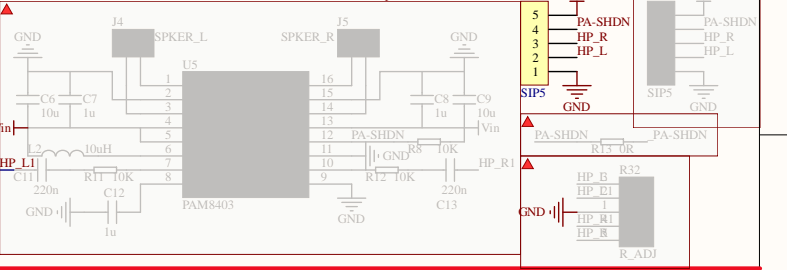
Ethernet



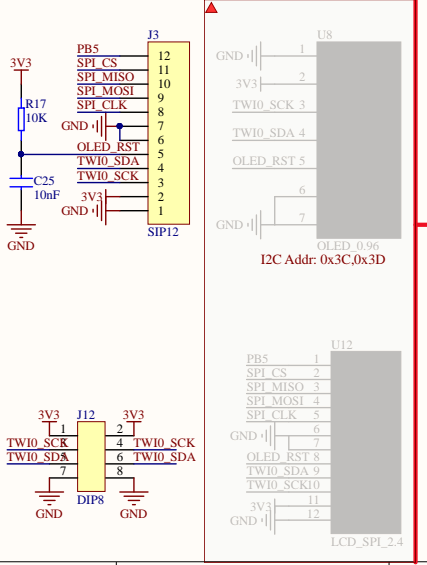
Headphone



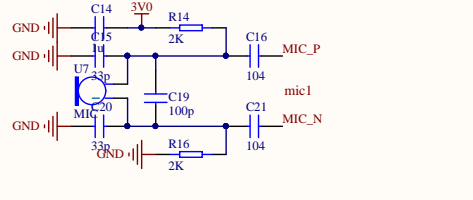
SPEAKER



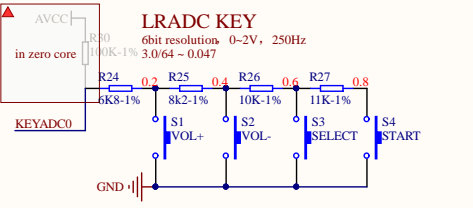
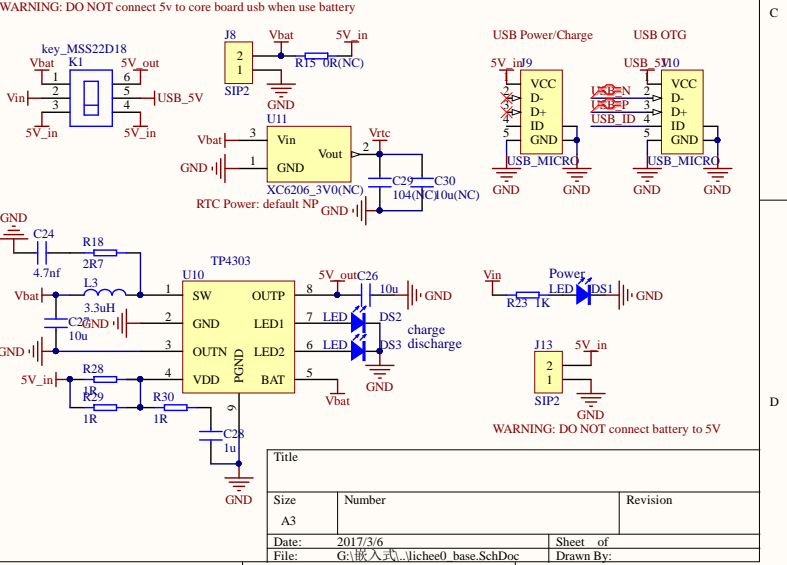
0.96 OLED & I2C & 2.4' TFT



Main MIC



POWER



Title	Size	Number	Revision
A3	2017/3/6		
File:	G:\嵌入式\lichee0_base.SchDoc	Sheet of	Drawn By: