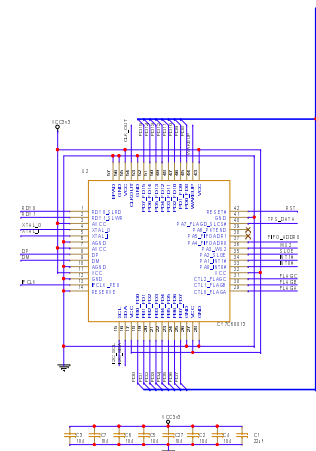
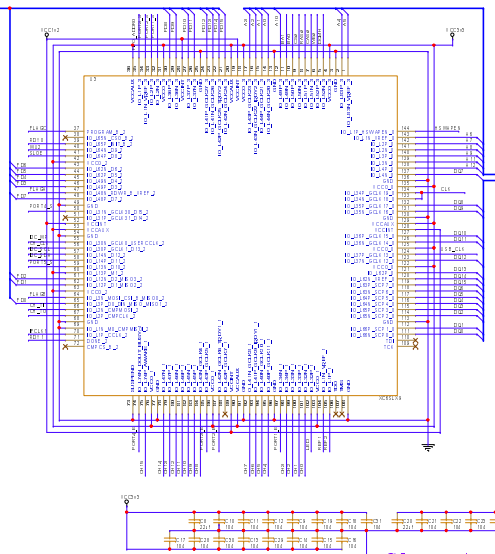


CY7C68013



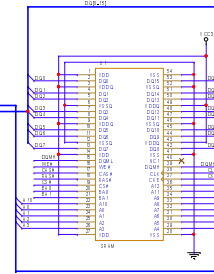
Close to CY7C68013

FPGA

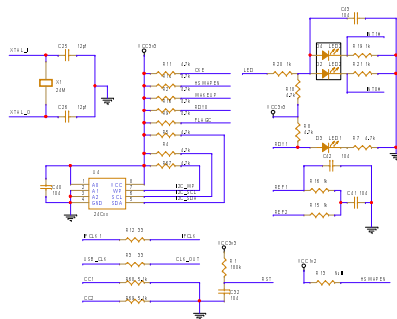


Close to FPGA

SDRAM

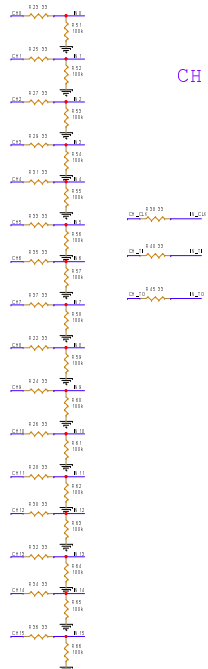


Close to SDRAM

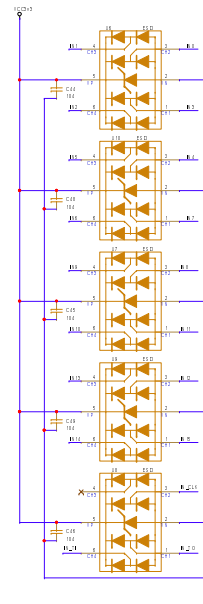


MISC

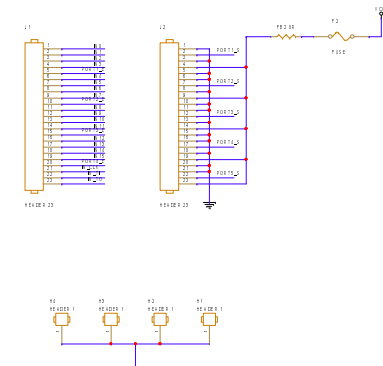
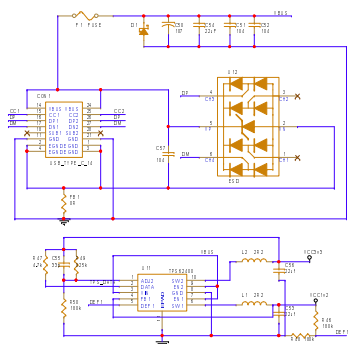
CH



ESD



Power



Rev	01	01/24/2008
By	01/24/2008	01/24/2008
App	01/24/2008	01/24/2008