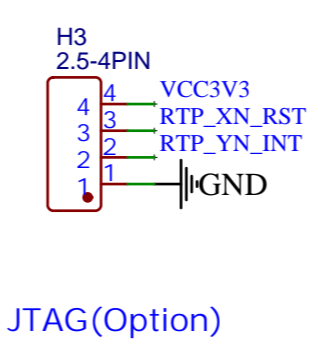
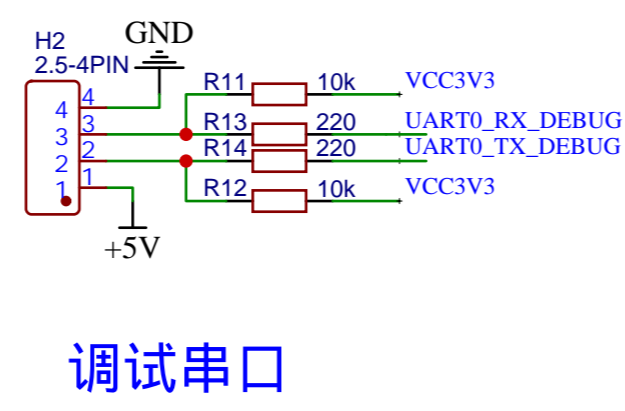
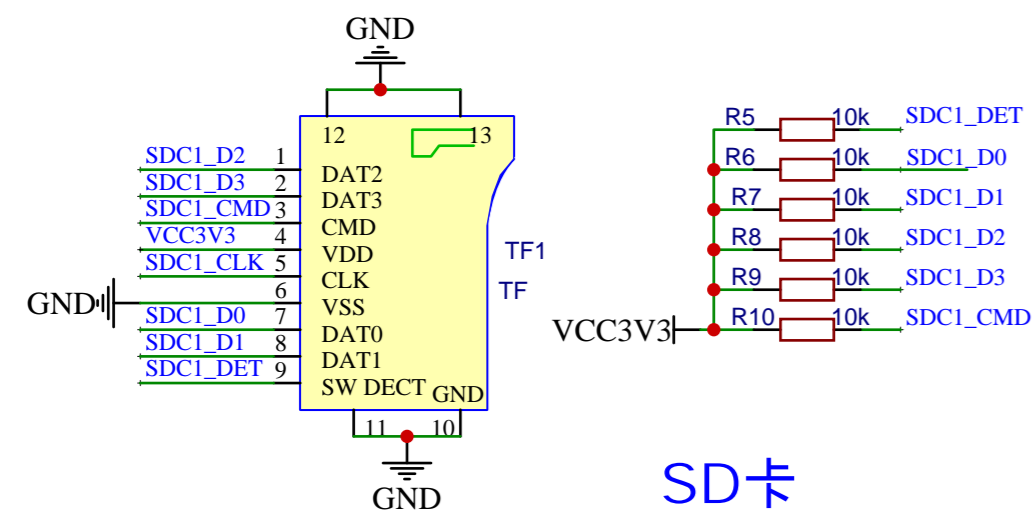
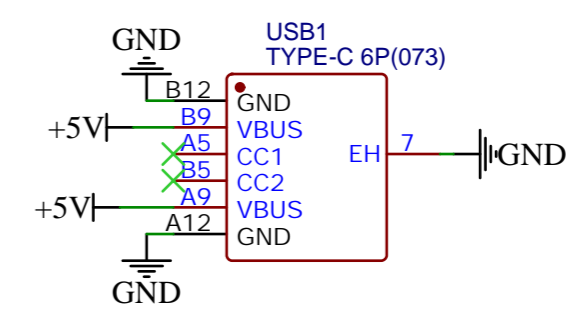
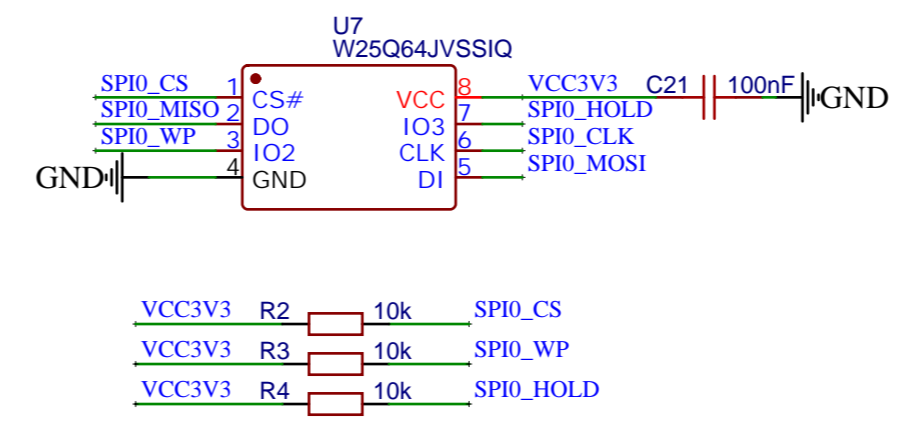
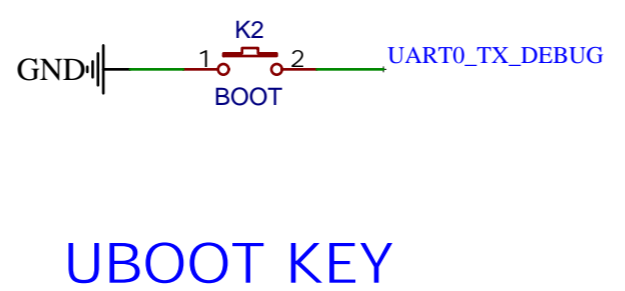
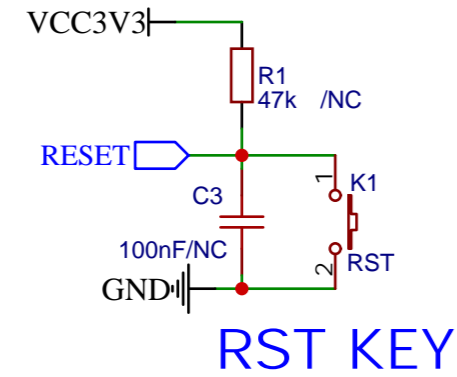
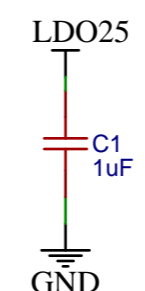
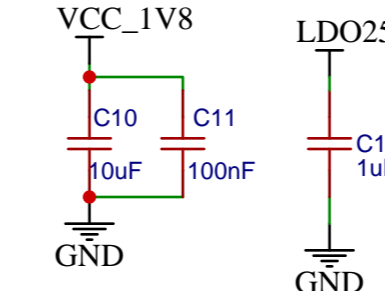
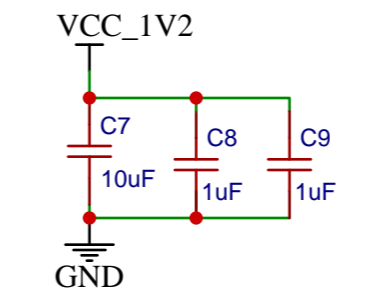
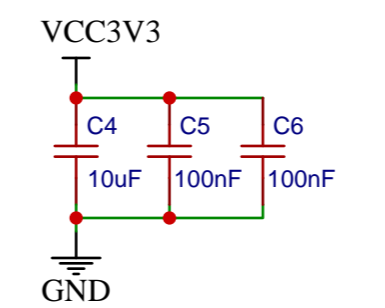
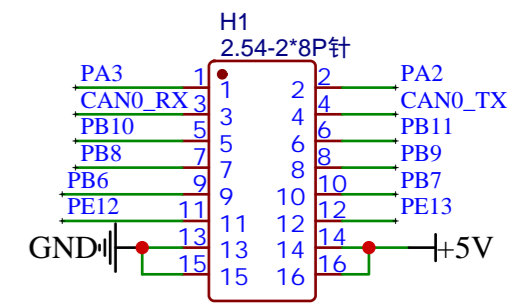
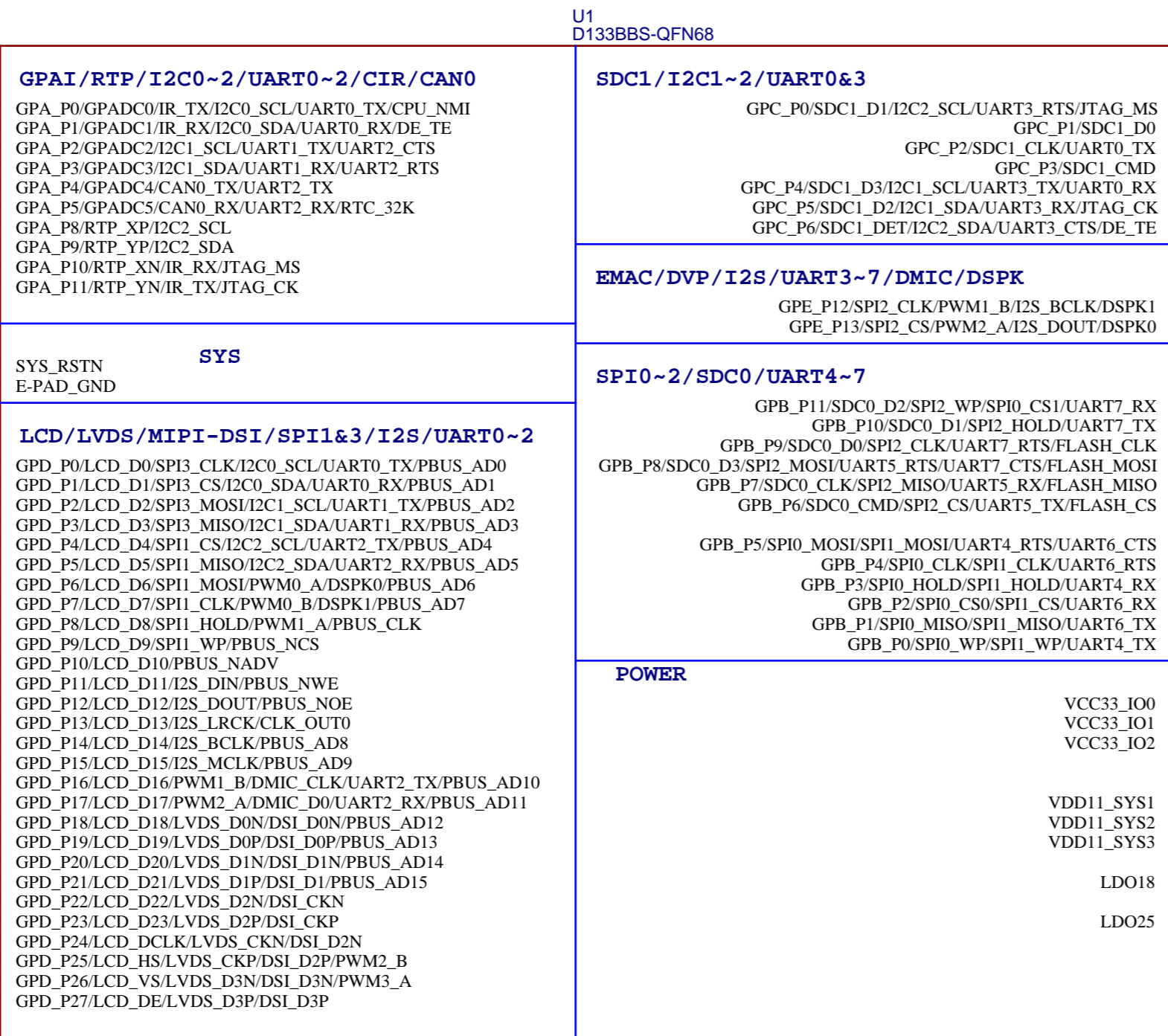
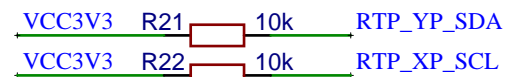
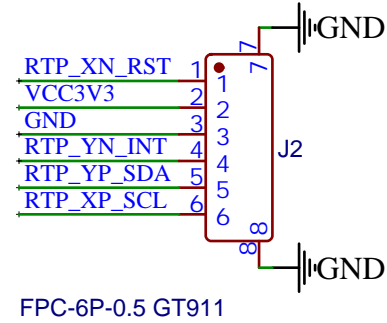
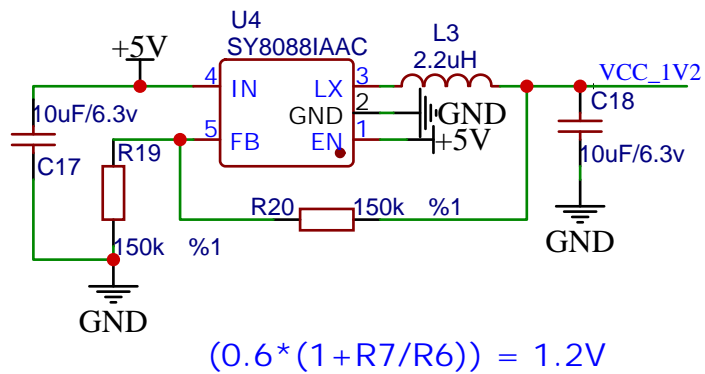
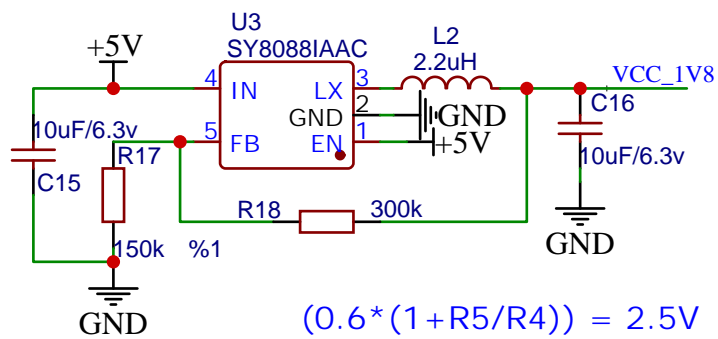
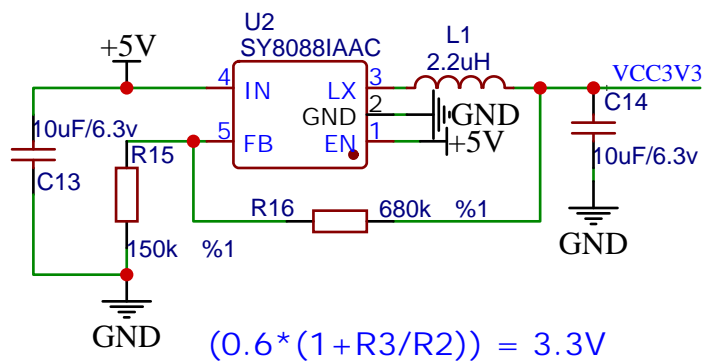


UART0_TX_DEBUG	56
UART0_RX_DEBUG	57
PA2	58
PA3	59
CAN0_TX	60
CAN0_RX	61
RTP_XP_SCL	62
RTP_YP_SDA	63
RTP_XN_RST	64
RTP_YN_INT	65

RESET	52
GND	69

LCD_B0	37
LCD_B1	36
LCD_B2	35
LCD_B3	34
LCD_B4	33
LCD_B5	32
LCD_B6	31
LCD_B7	30
LCD_G0	26
LCD_G1	25
LCD_G2	24
LCD_G3	23
LCD_G4	22
LCD_G5	21
LCD_G6	20
LCD_G7	19
LCD_R0	18
LCD_R1	17
LCD_R2	16
LCD_R3	15
LCD_R4	14
LCD_R5	13
LCD_R6	11
LCD_R7	10
LCD_DCLK	9
LCD_HS	8
LCD_VS	7
LCD_DE	6





电容触摸

