

Shengzhen RERVISION Technology GO., LTD

A33 Main Board Schmatic

INDEX

P01: INDEX

P02: NET

P03: USB

P04: LCD/GENSOR

P05: CSI

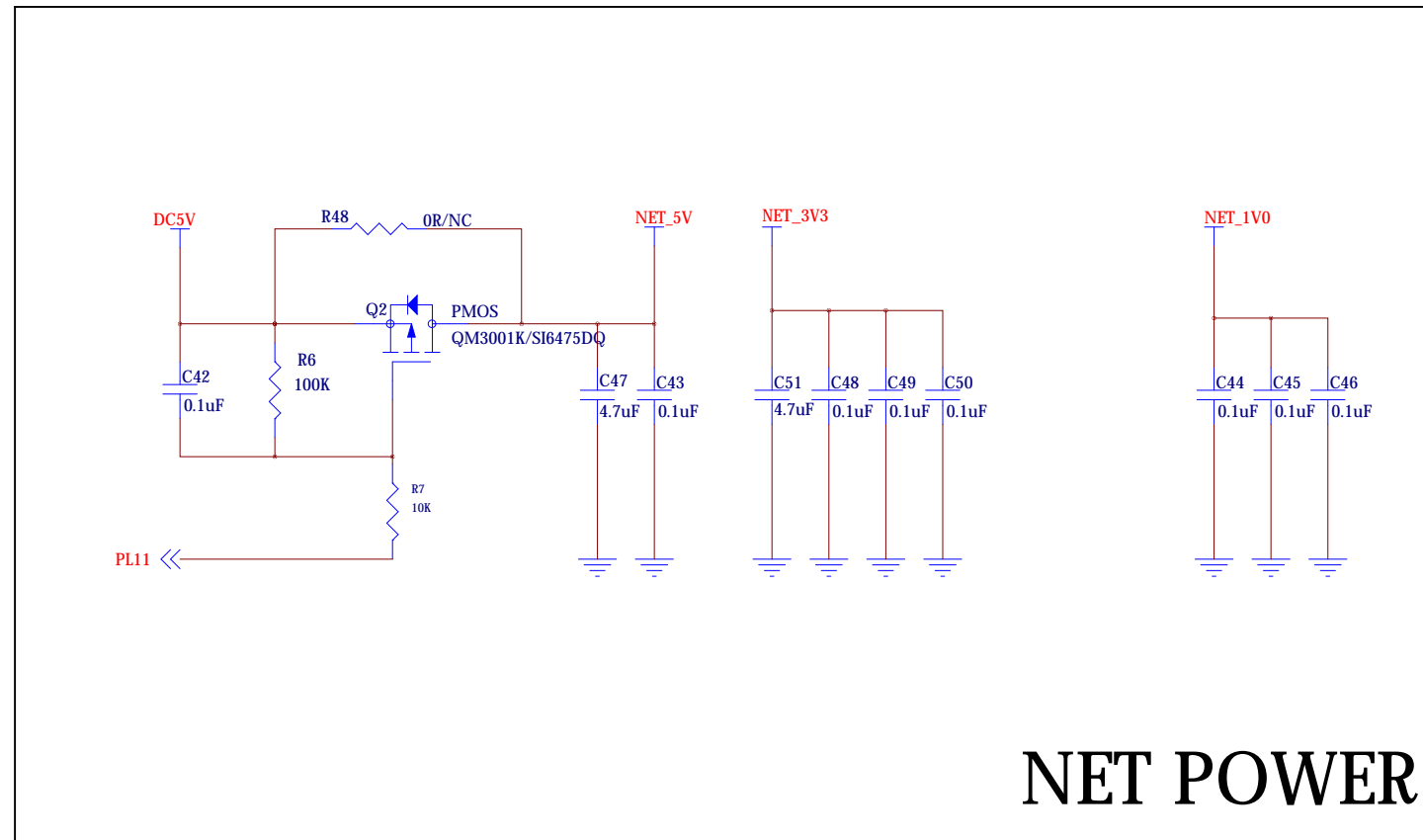
P06: WIFI/BT

P07: AUDIO/KEY

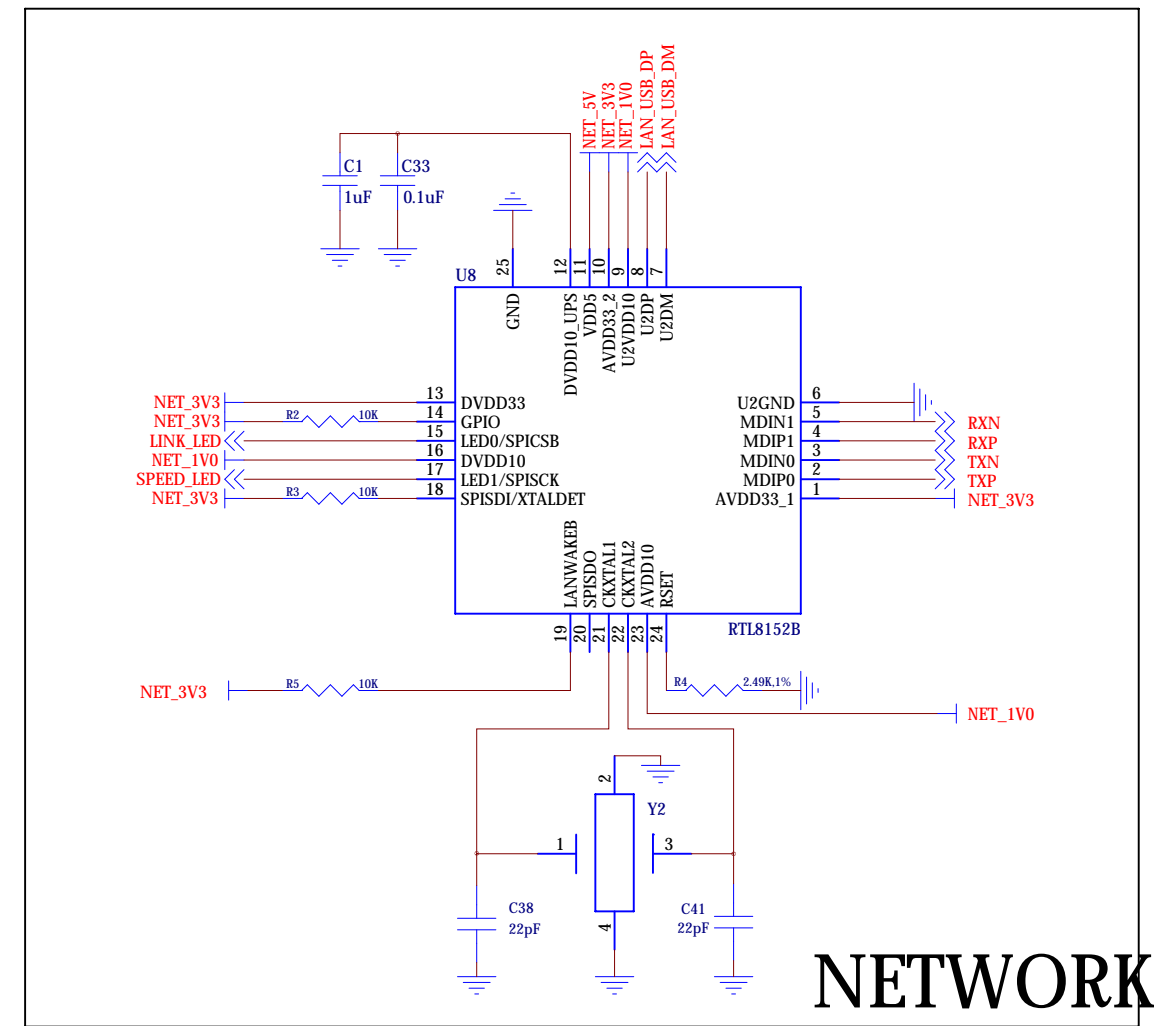
P08: T-CARD/UART

P09: POWER

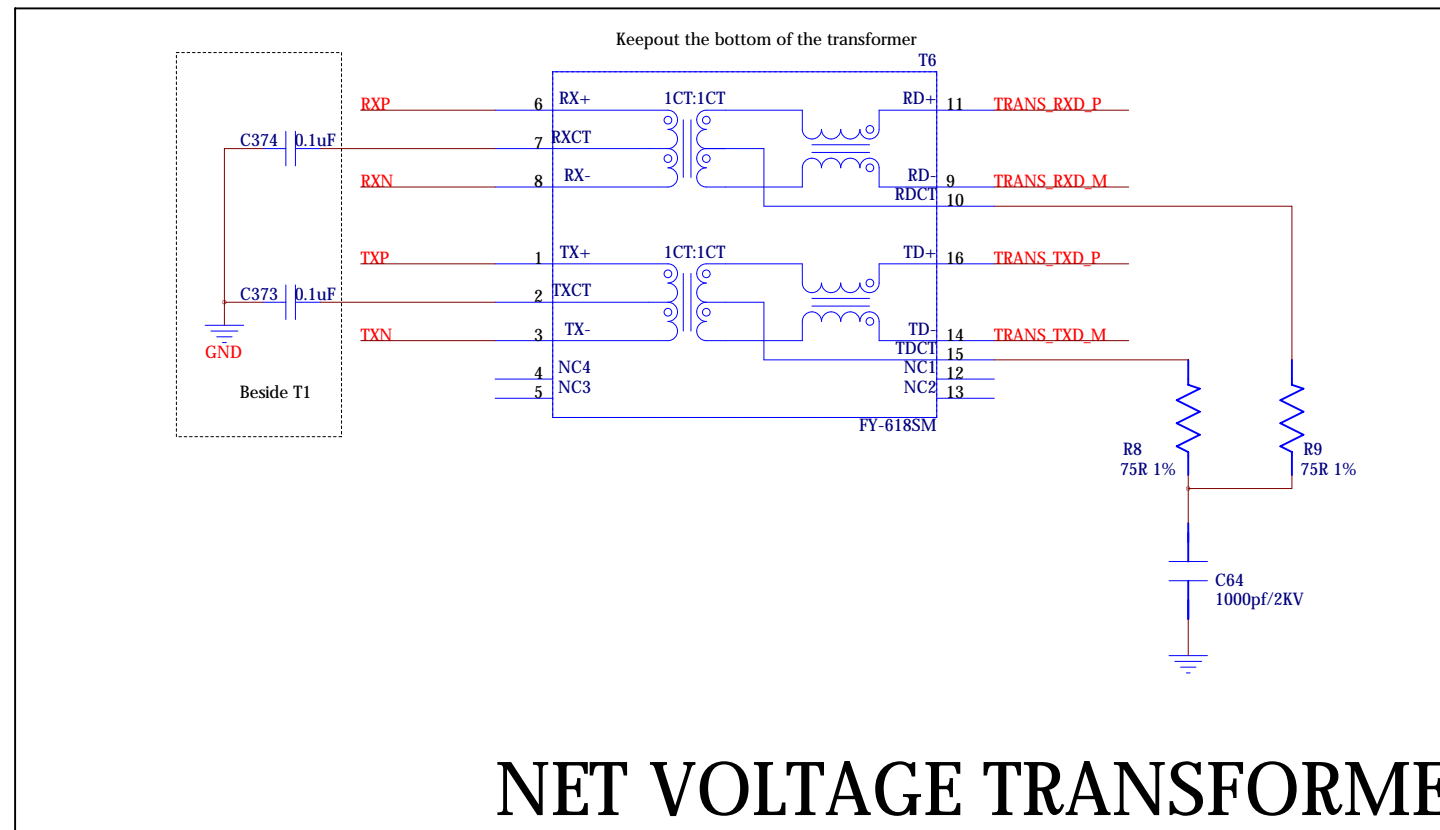
P10: CONNECT



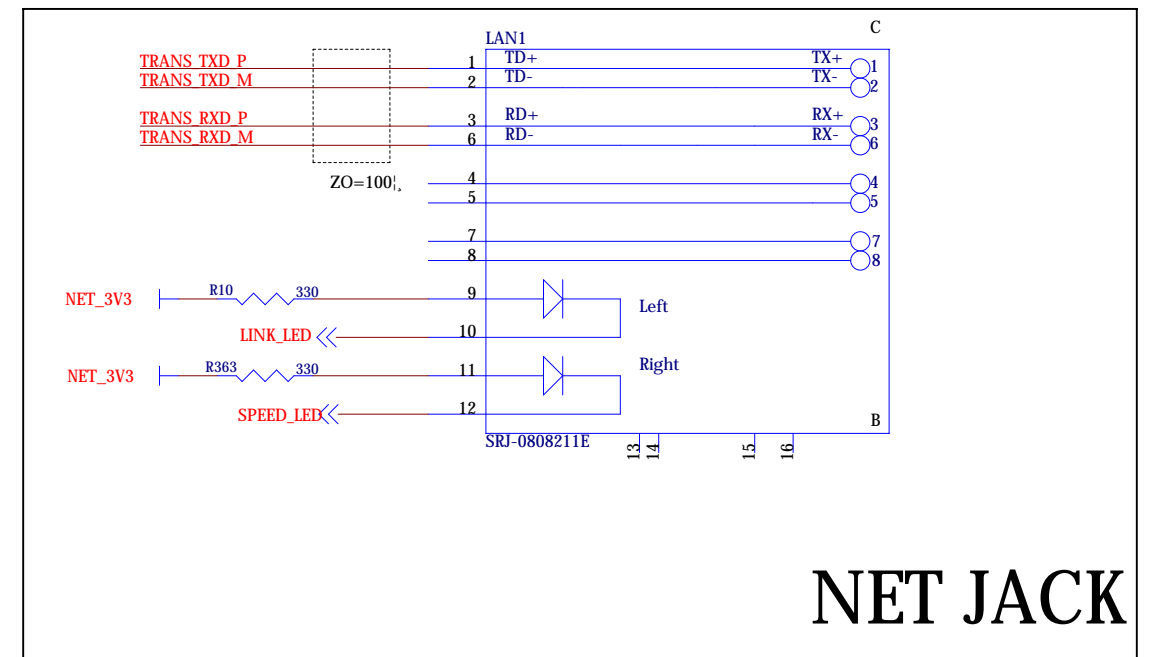
NET POWER



NETWORK



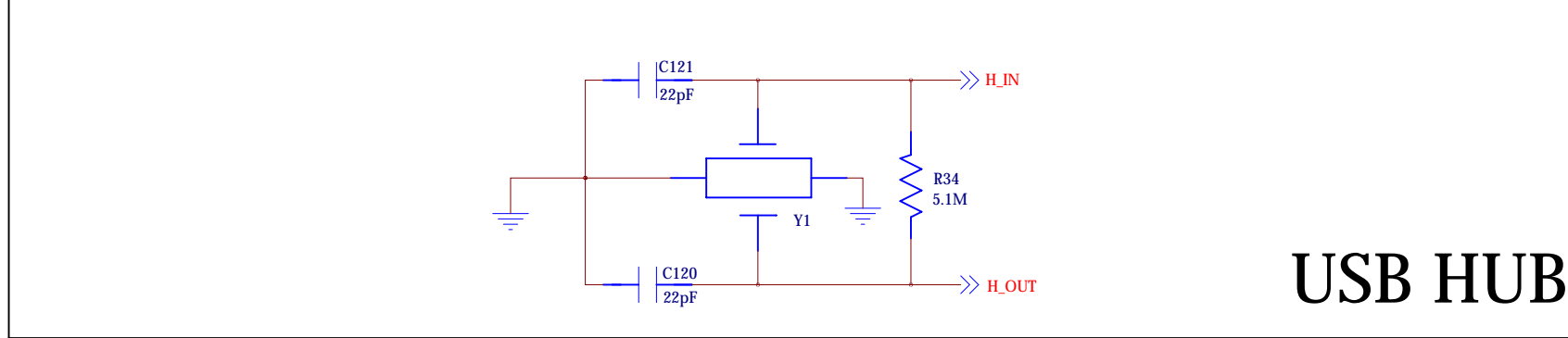
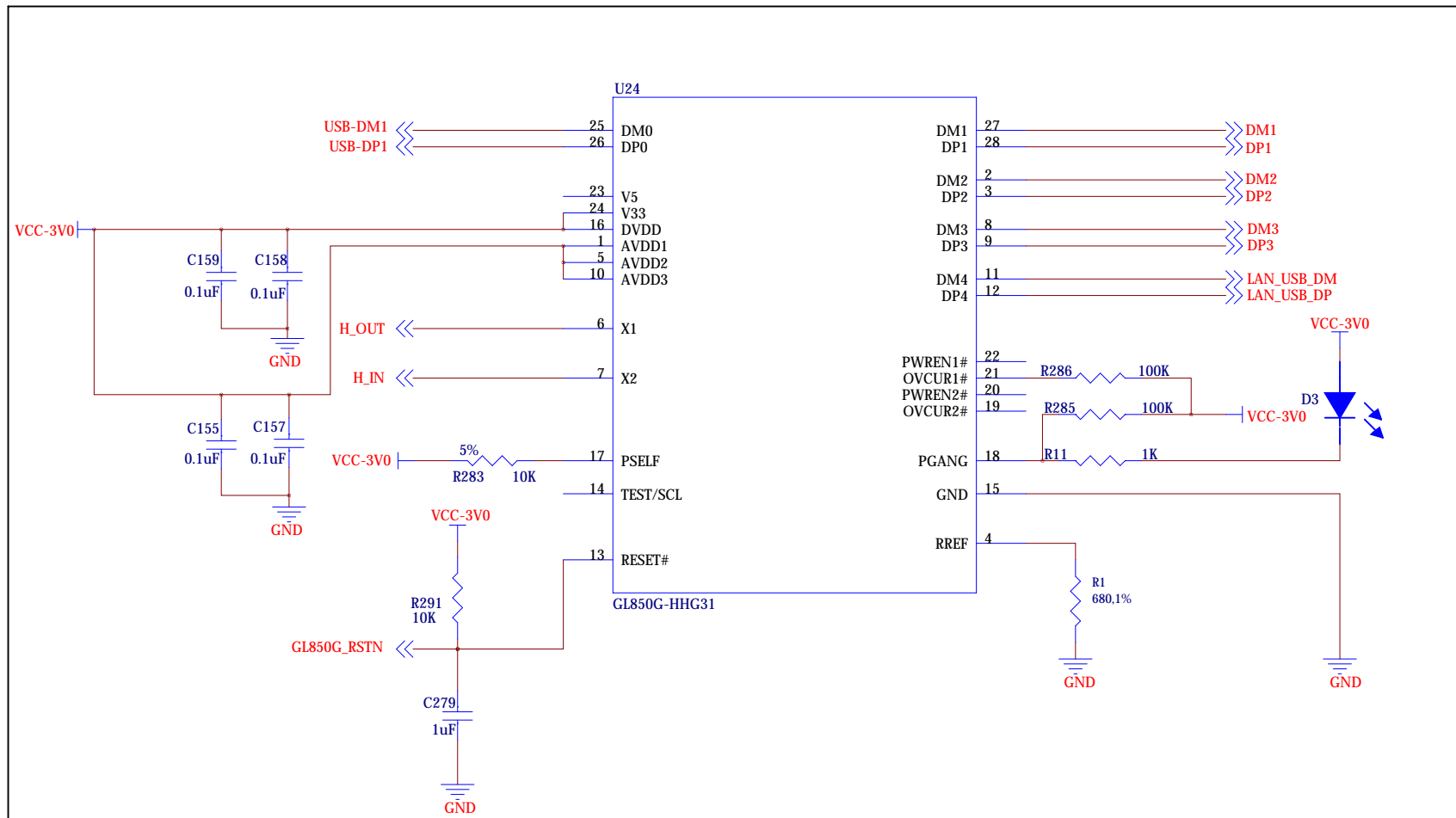
NET VOLTAGE TRANSFORMER



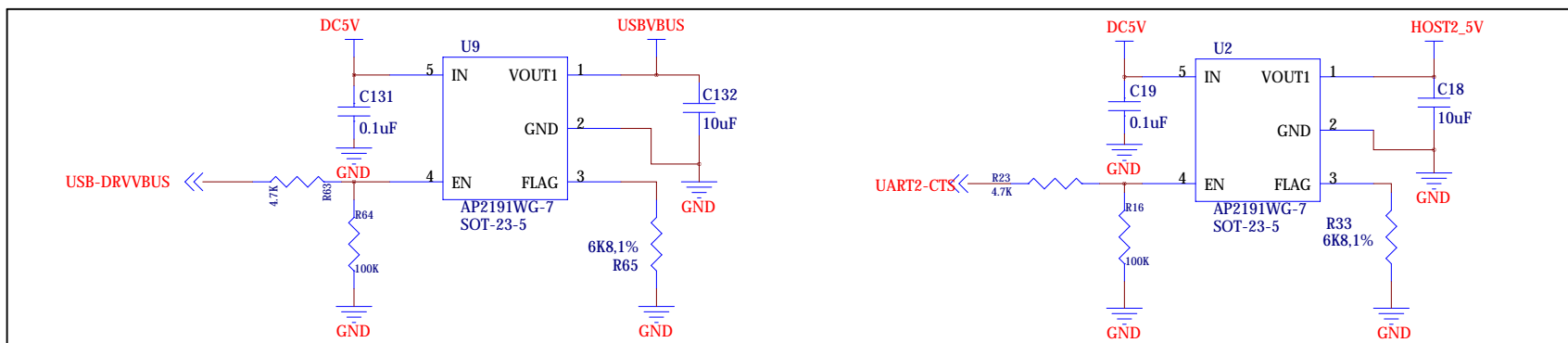
NET JACK

RERVISION A33-Vstar2

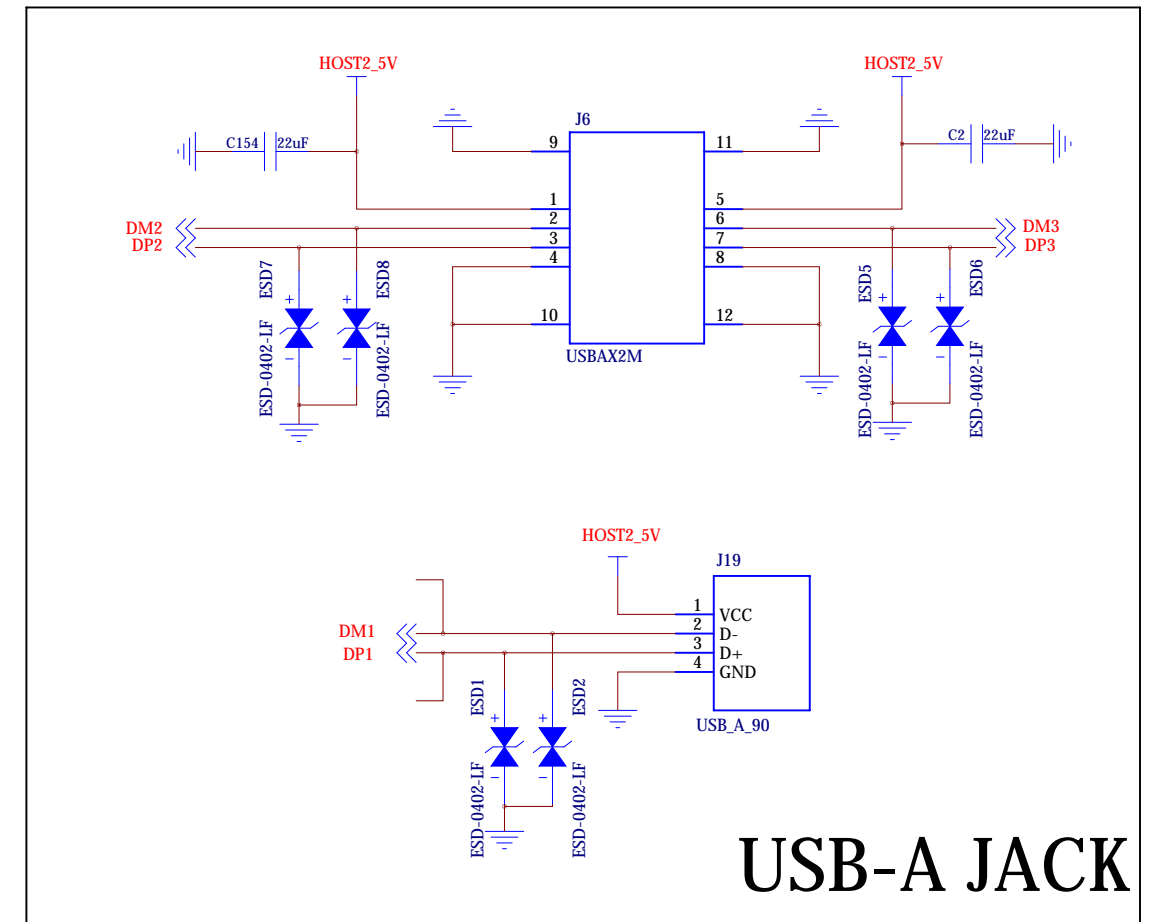
Title		
A33 Core Board		
Size	Document Number	Rev
A3	824-121955-0002	P1
Date:	Monday, March 05, 2012	Sheet 2 of 10



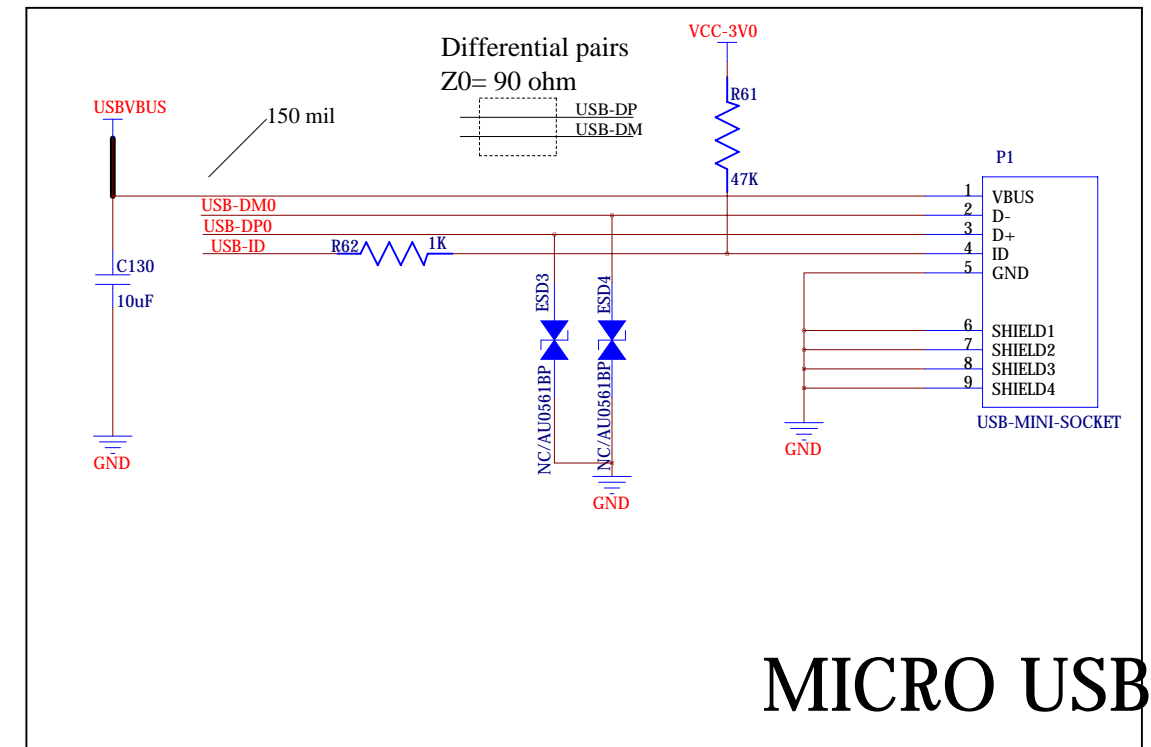
USB HUB



OTG POWER SW



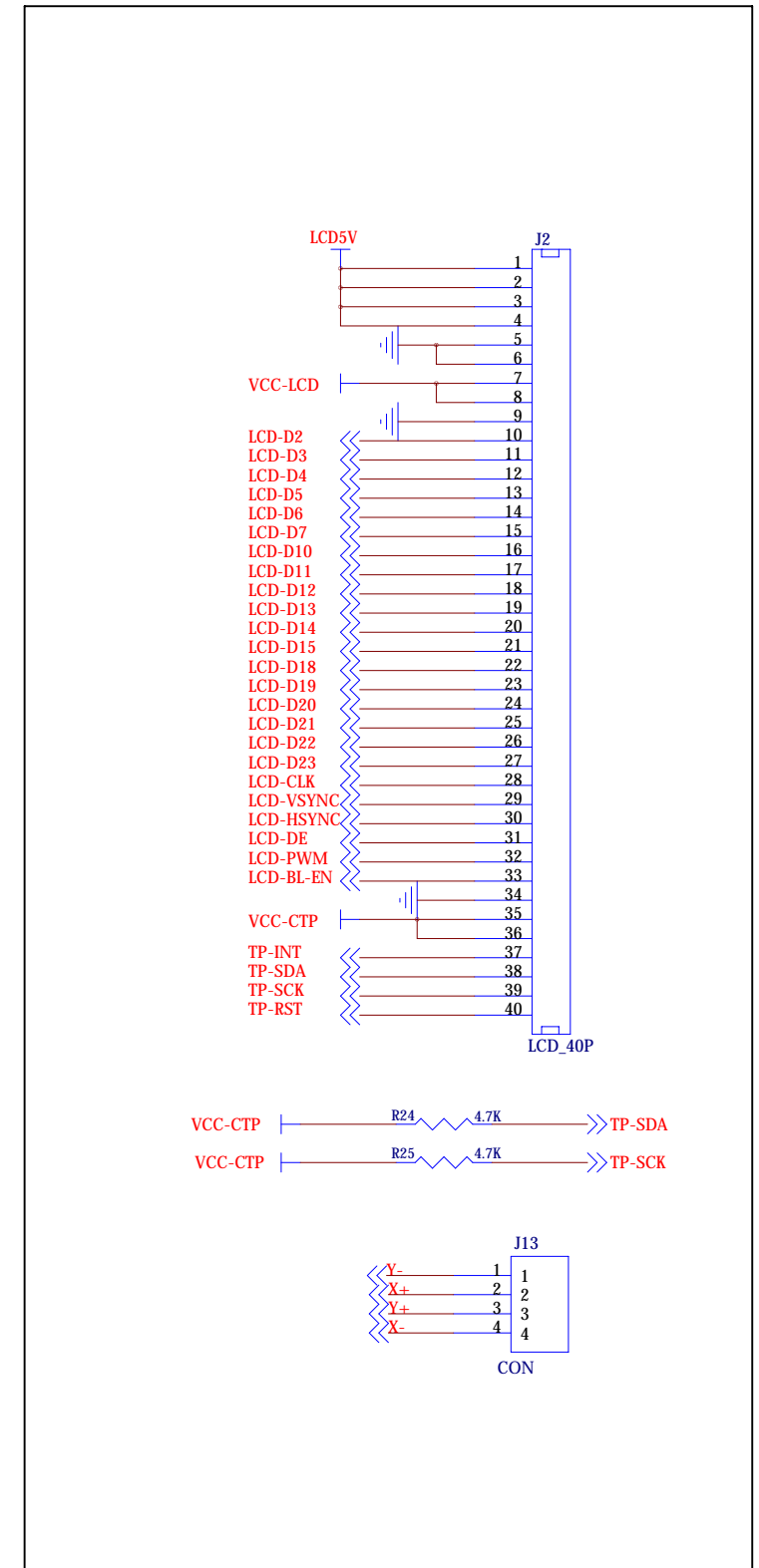
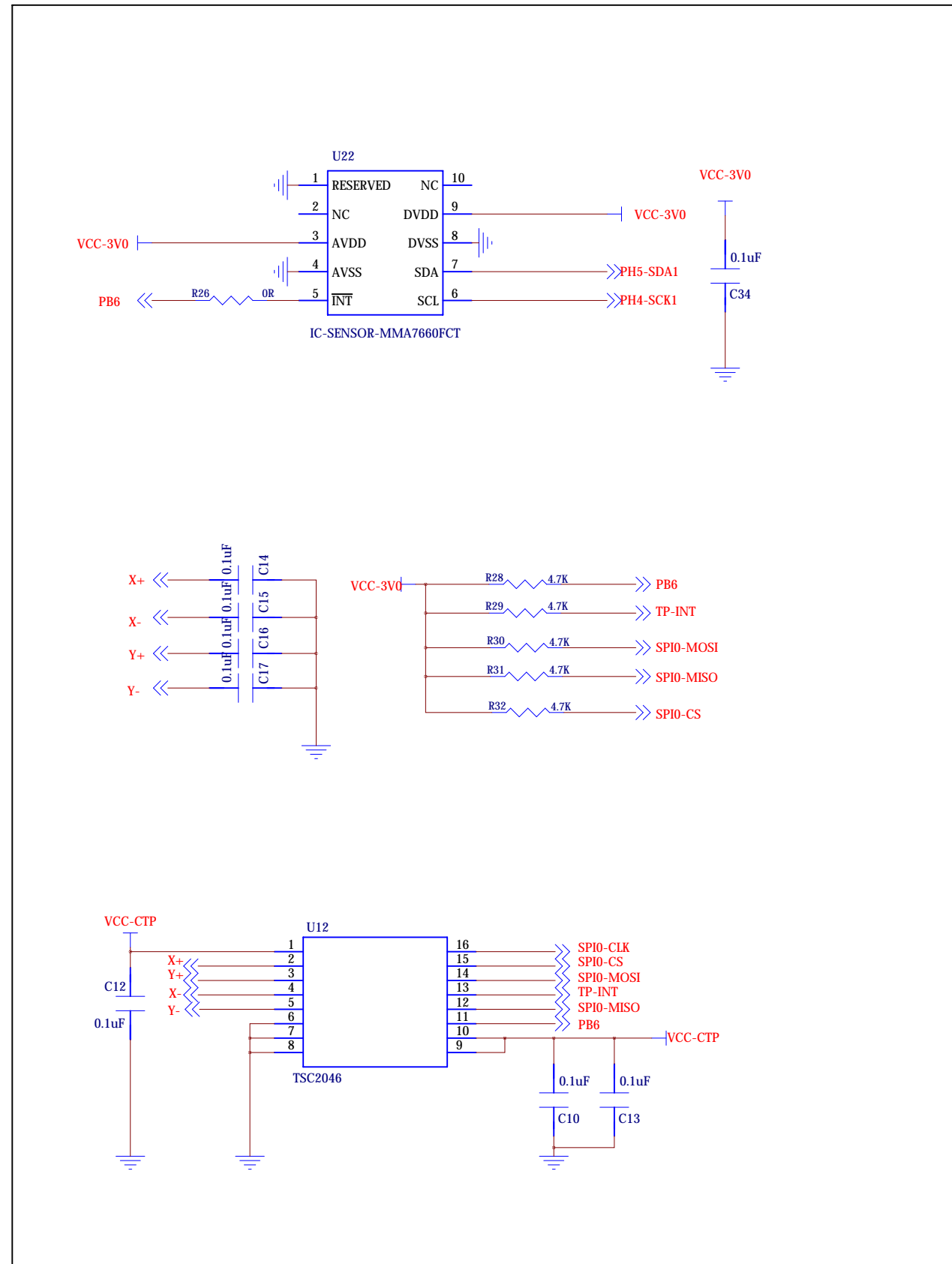
USB-A JACK



MICRO USB

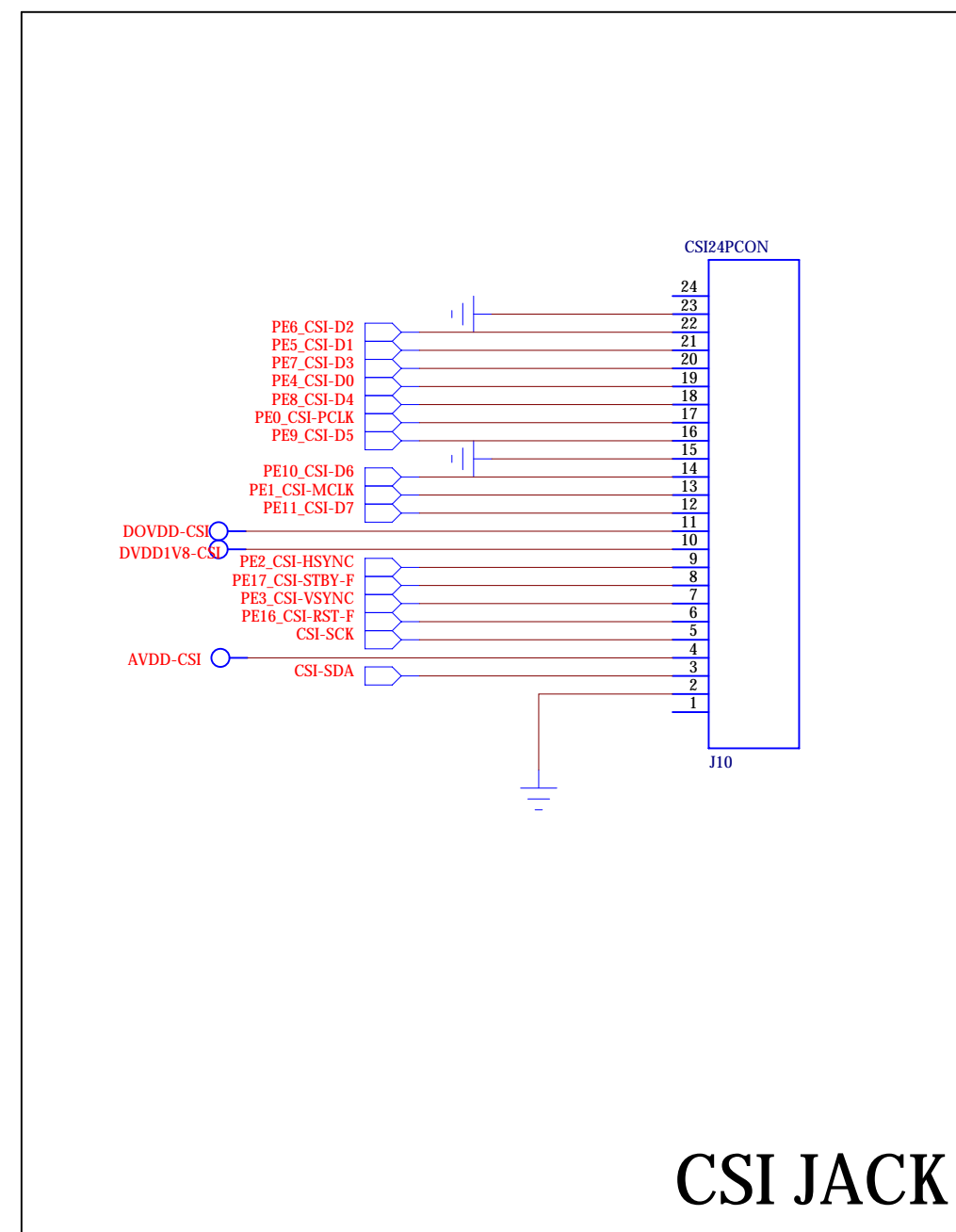
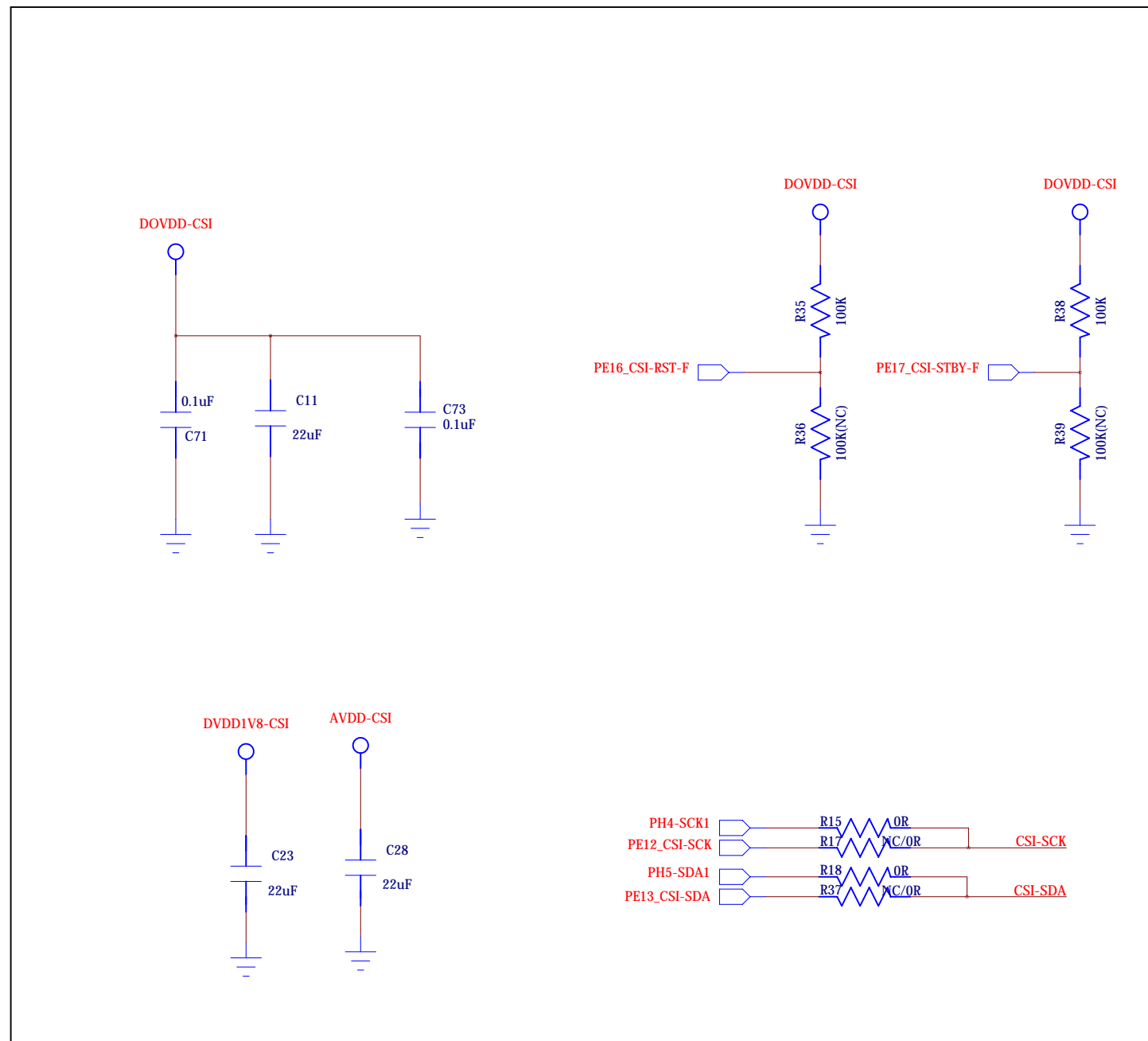
RERVISION A33-Vstar2

Title		
A33 Core Board		
Size	Document Number	Rev
A3	824-121955-0002	P1
Date:	Monday, March 05, 2012	Sheet 3 of 10

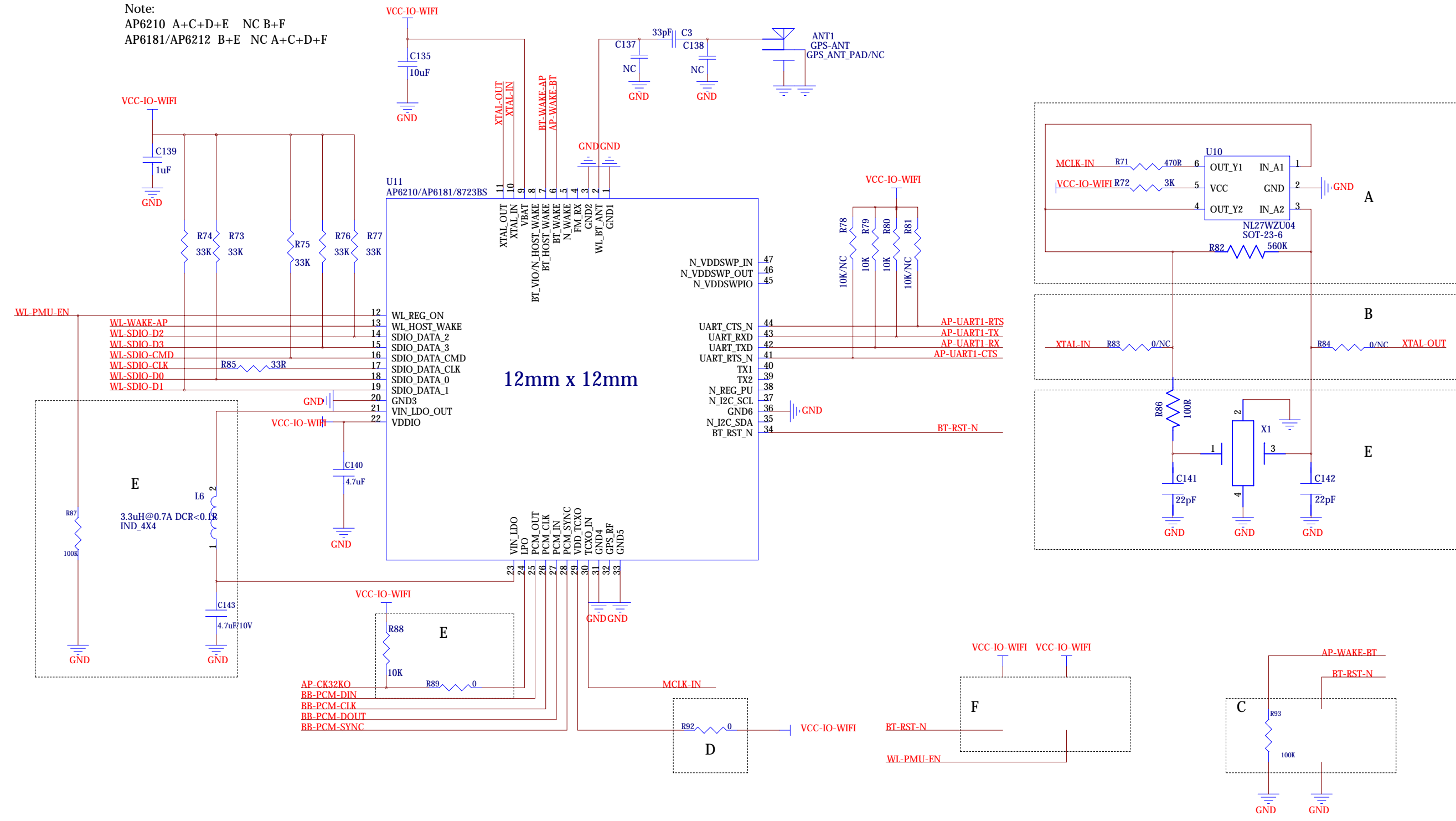


LCD JACK & CTP JACK

RERVISION A33-Vstar2		
Title A33 Core Board		
Size A3	Document Number 824-121955-0002	Rev P1
Date: Monday, March 05, 2012	Sheet 4	of 10

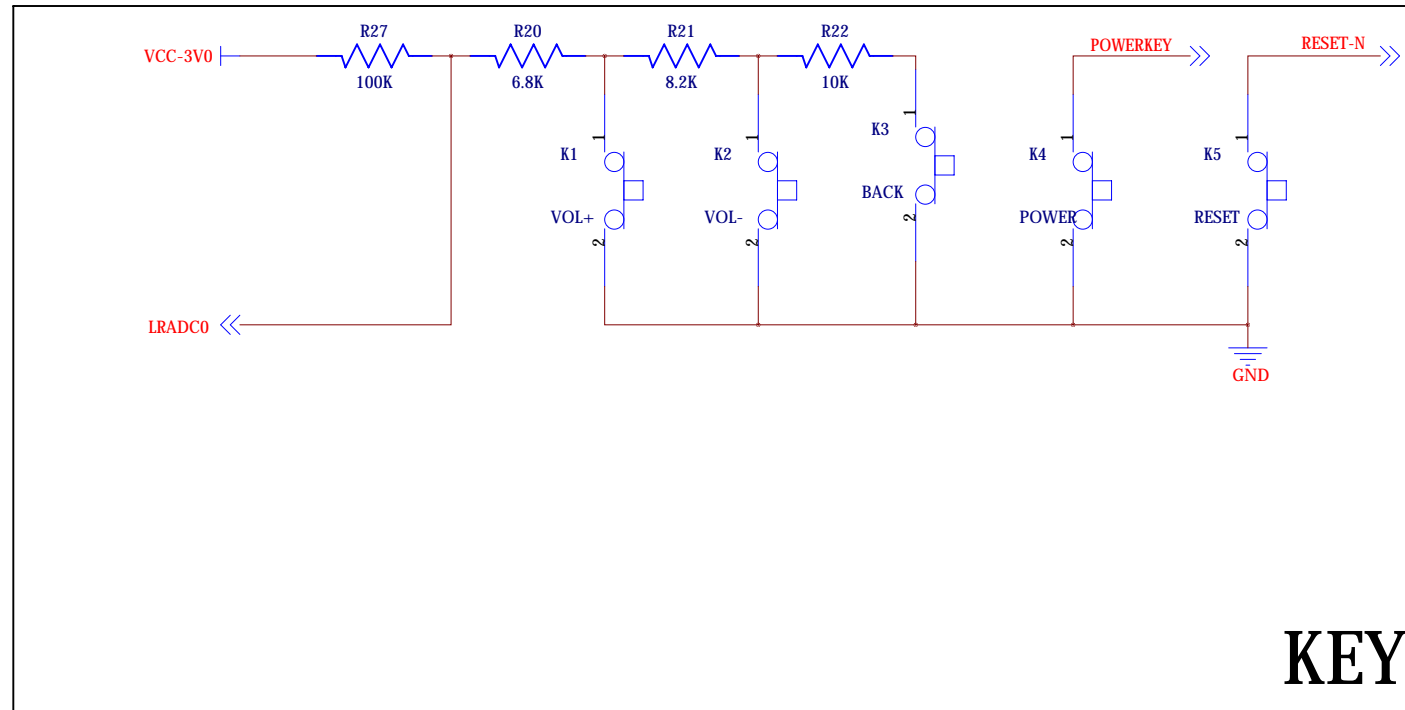
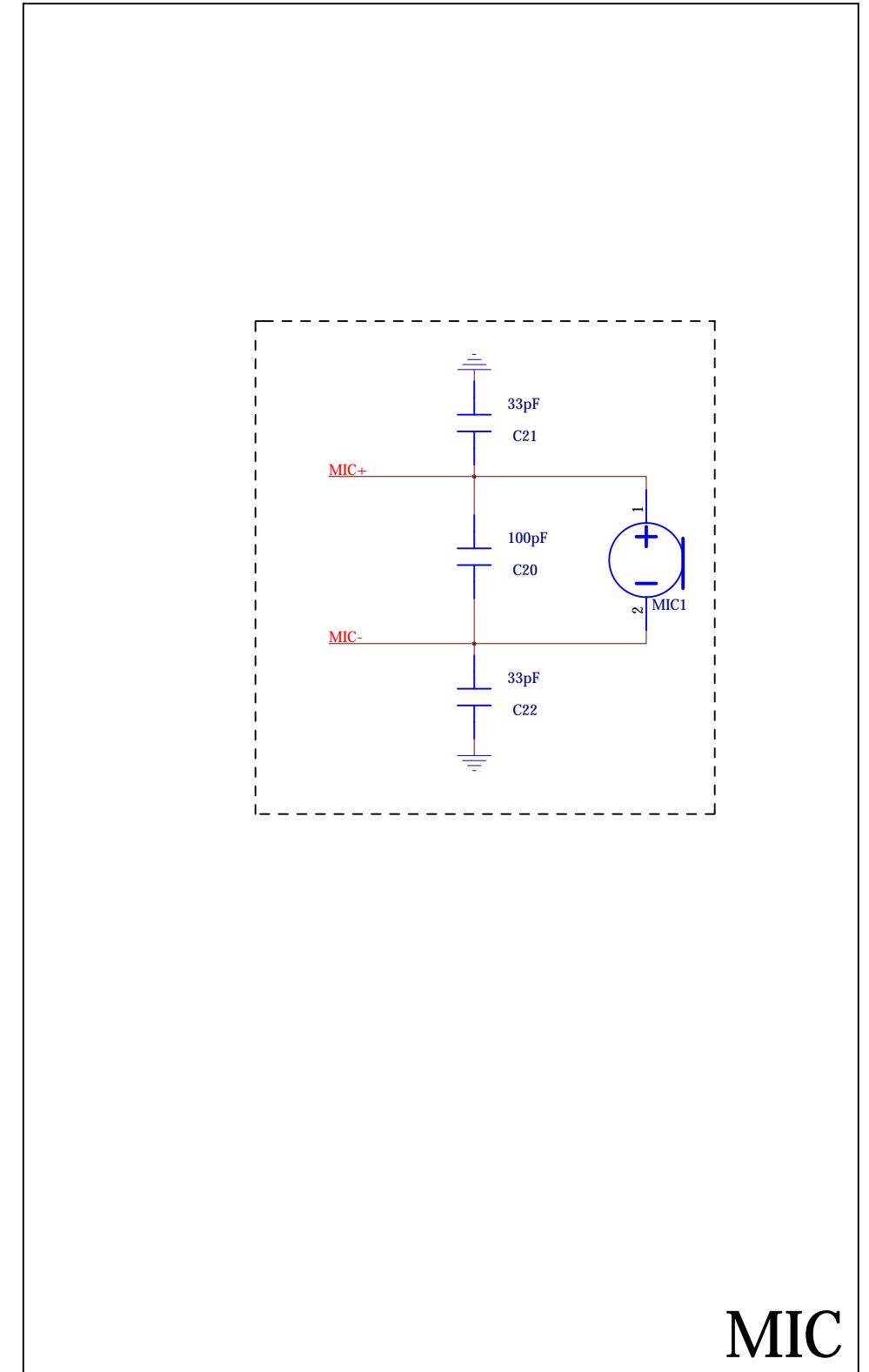
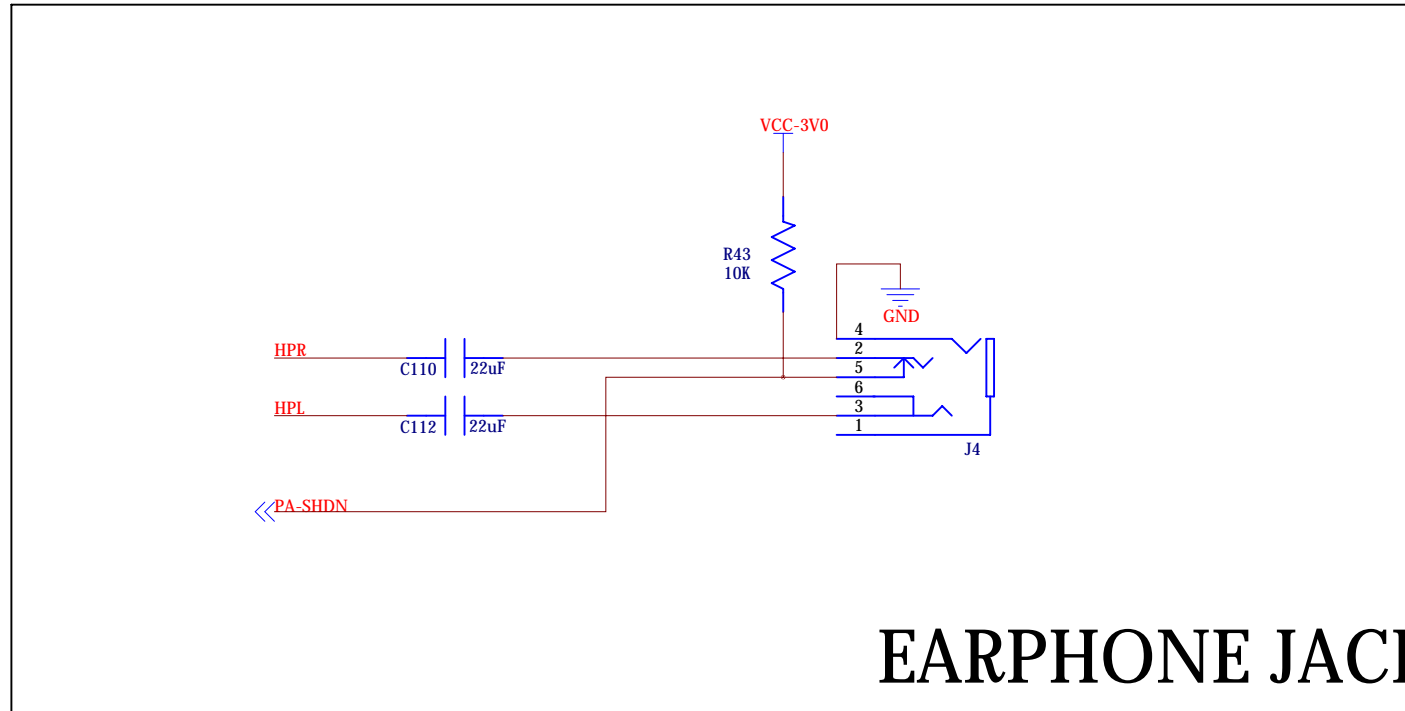


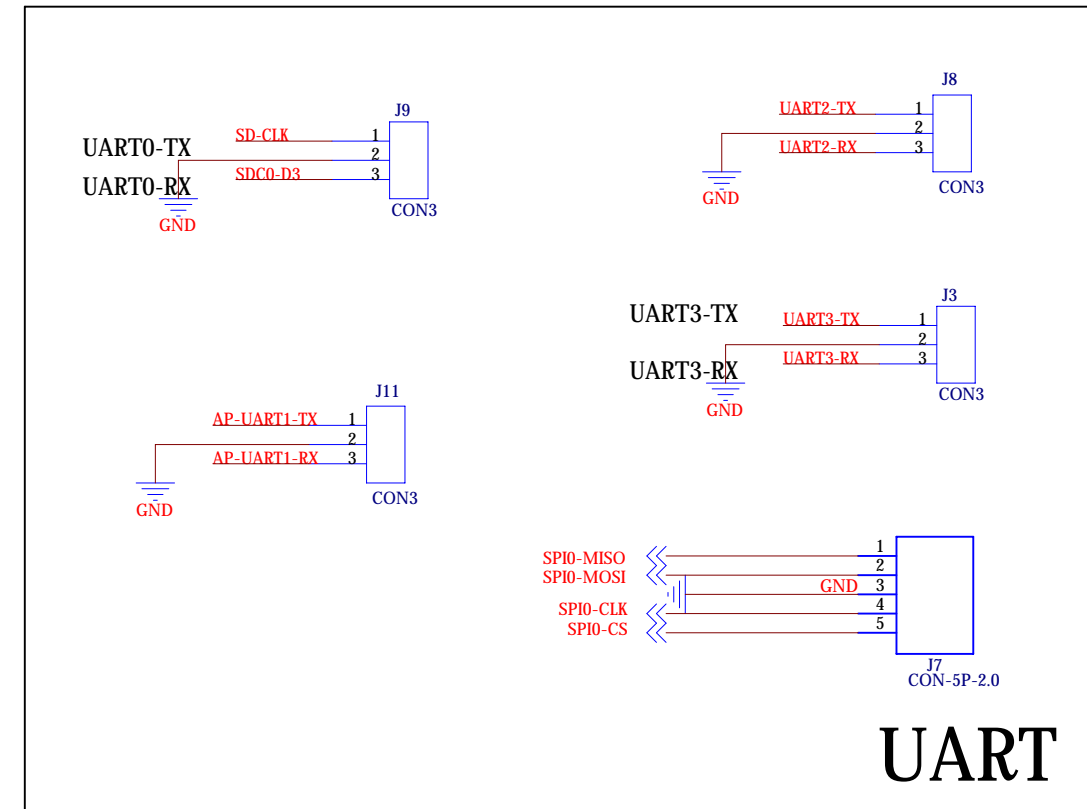
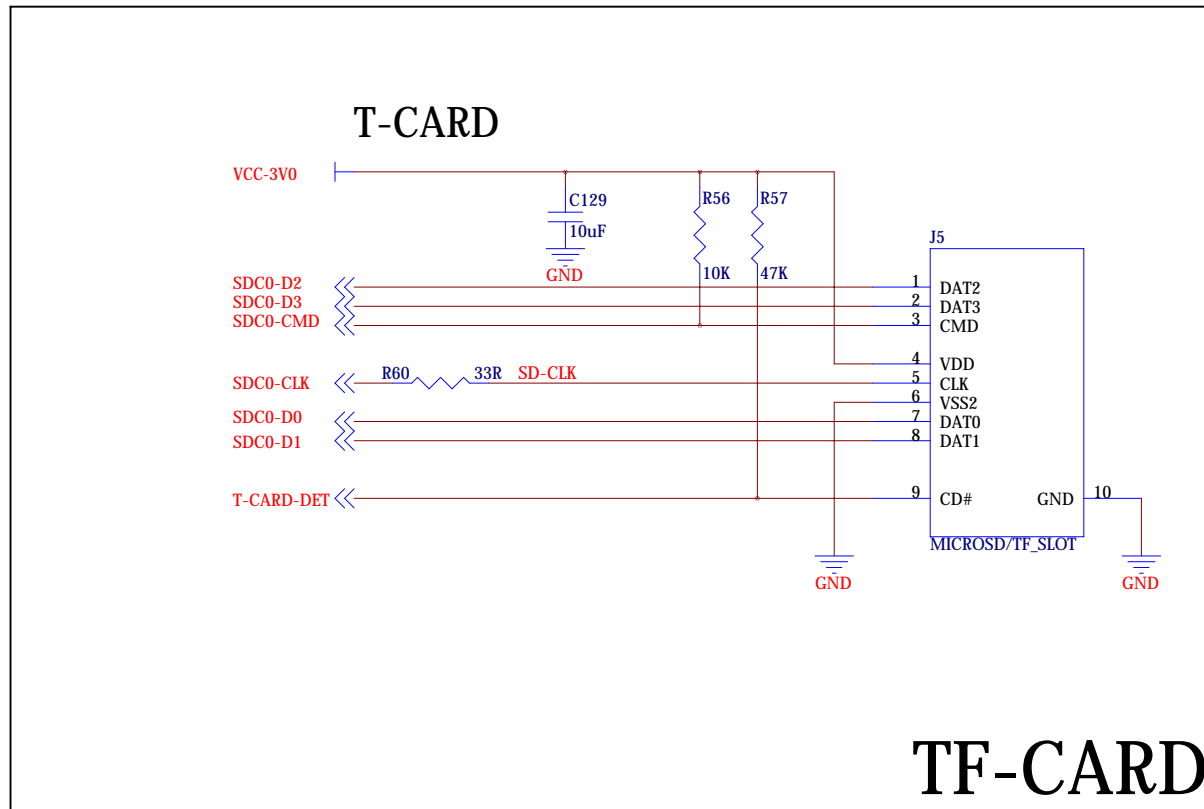
Note:
 AP6210 A+C+D+E NC B+F
 AP6181/AP6212 B+E NC A+C+D+F

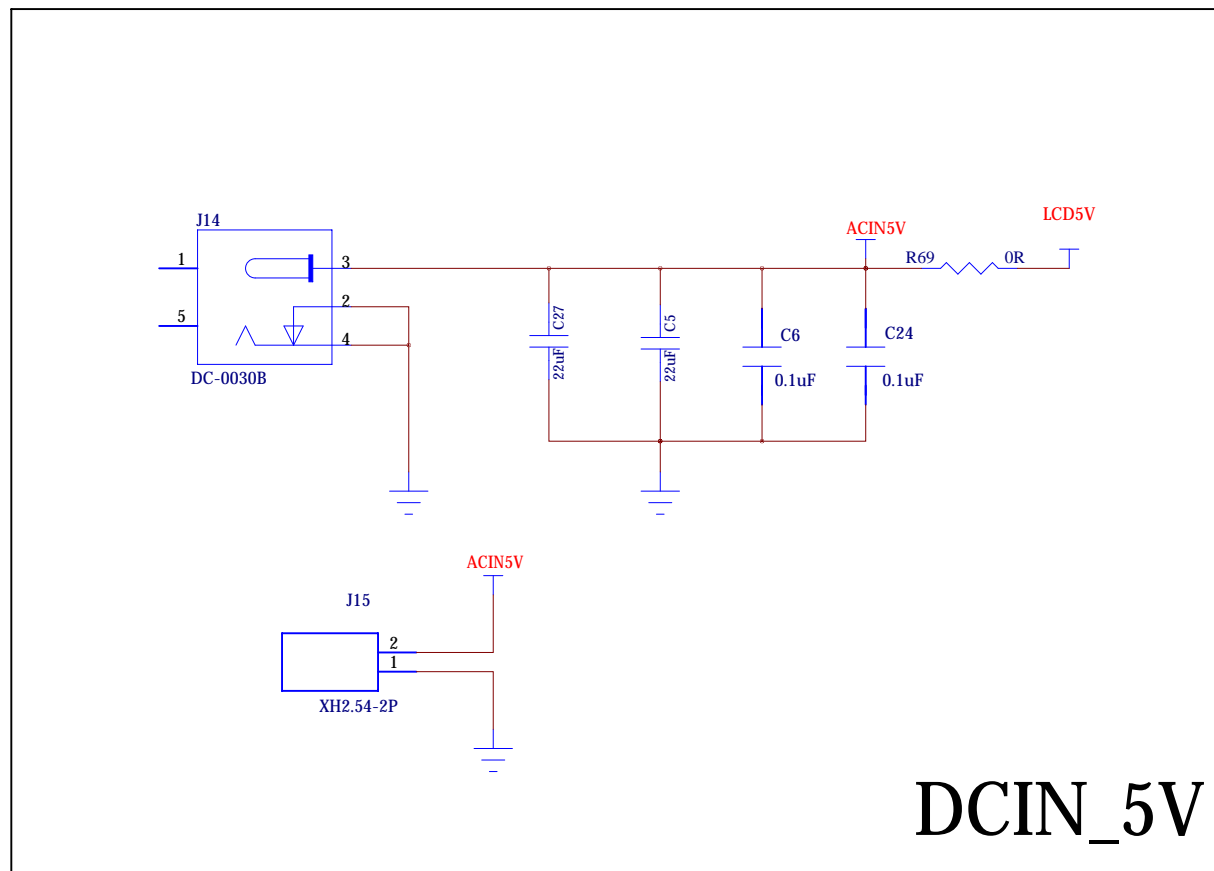


RERVISION A33-Vstar2

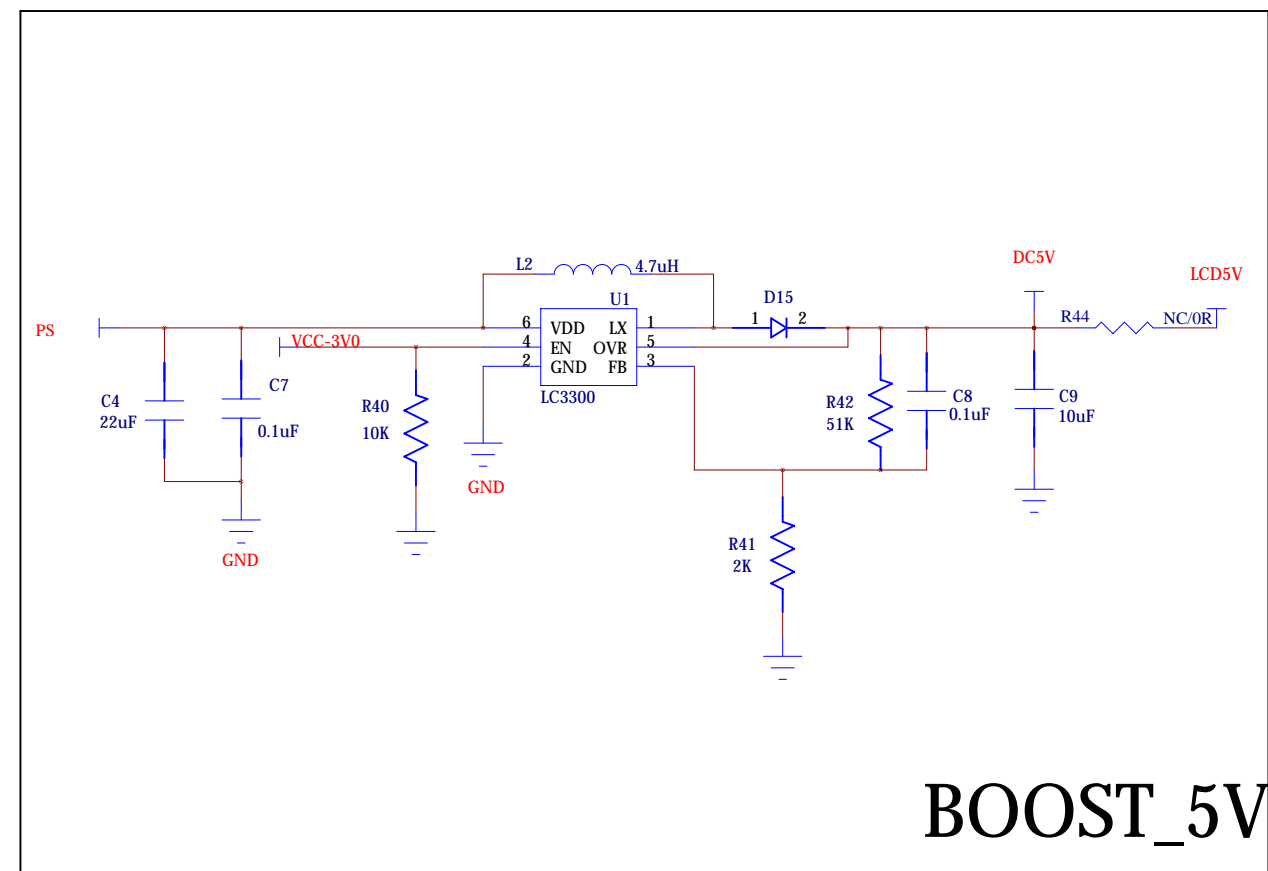
Title		
A33 Core Board		
Size	Document Number	Rev
A3	824-121955-0002	P1
Date:	Monday, March 05, 2012	Sheet 6 of 10



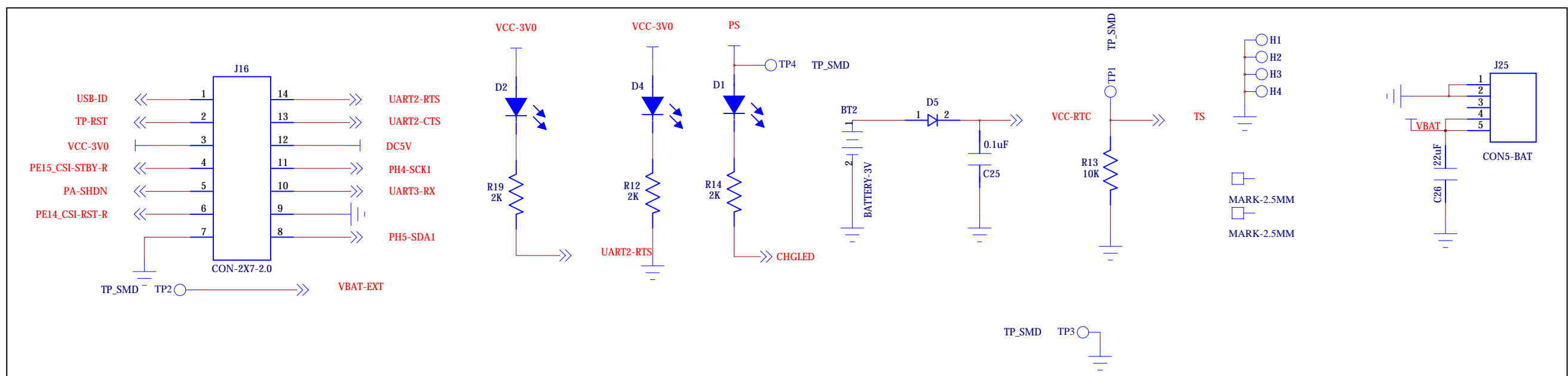




DCIN_5V

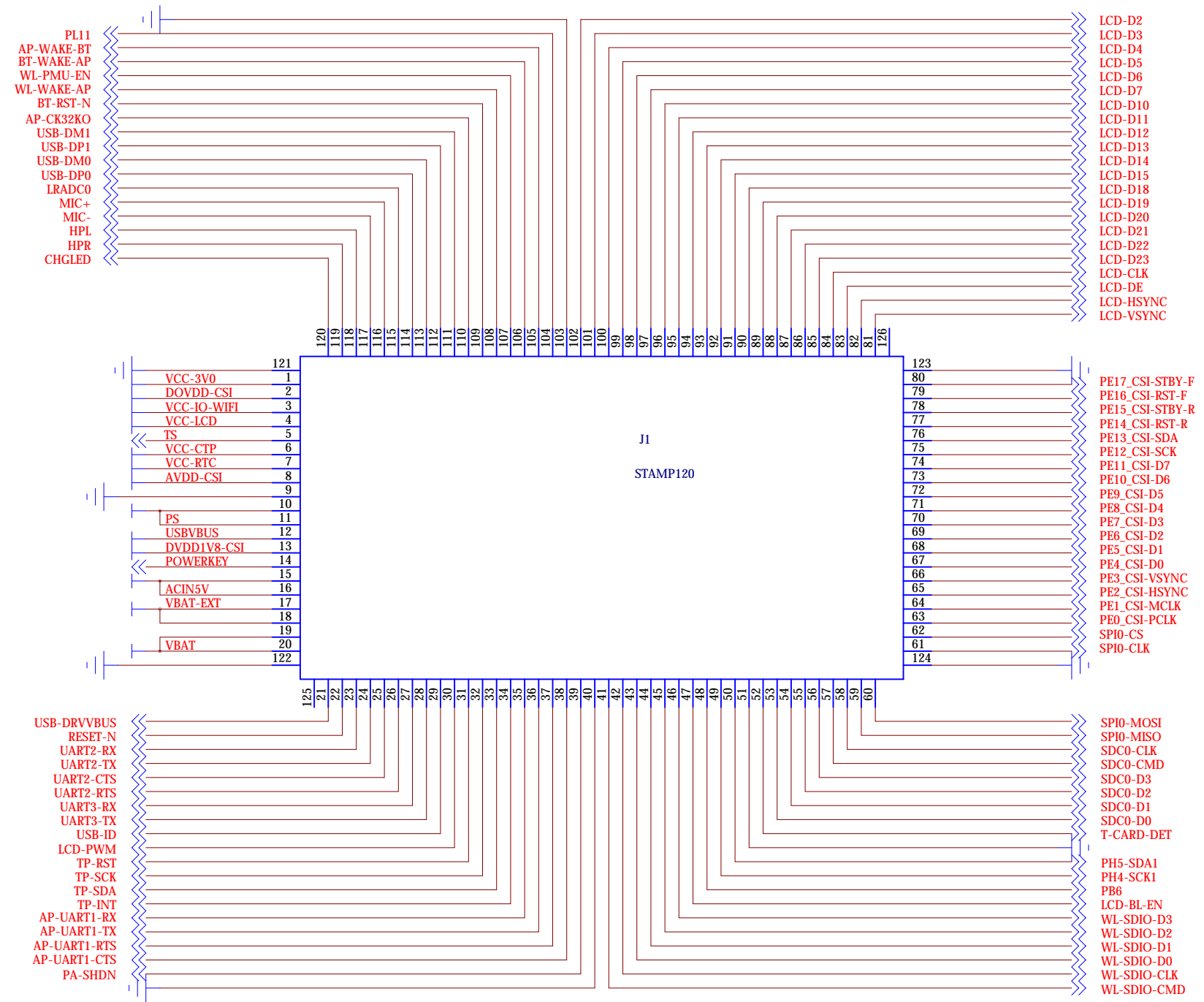


BOOST_5V



RERVISION A33-Vstar2

Title		
A33 Core Board		
Size	Document Number	Rev
A3	824-121955-0002	P1
Date:	Monday, March 05, 2012	Sheet 9 of 10



RERVISION A33-Vstar2

Title		
A33 Core Board		
Size	Document Number	Rev
A3	824-121955-0002	P1
Date:	Monday, March 05, 2012	Sheet 10 of 10