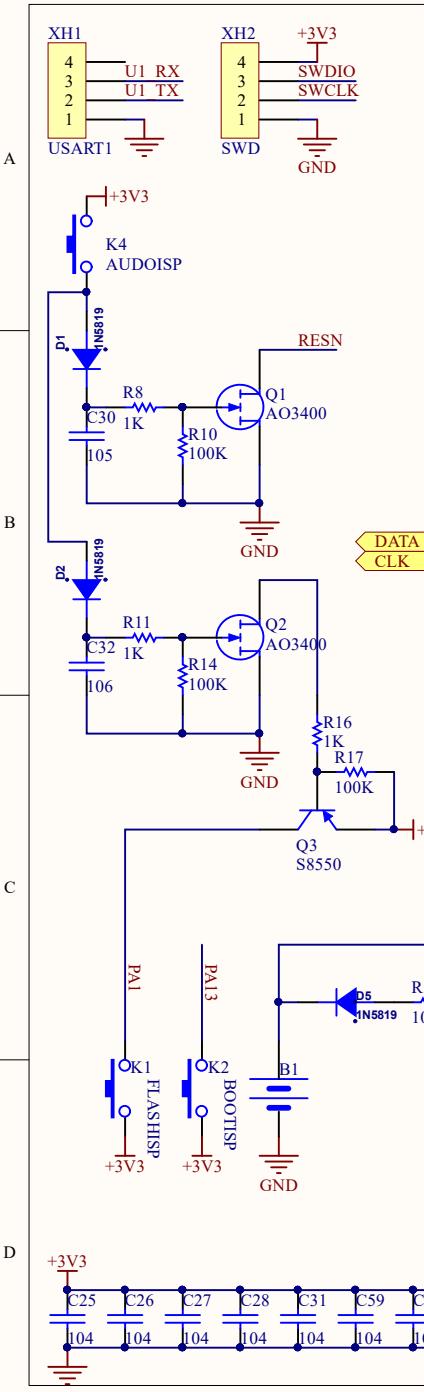
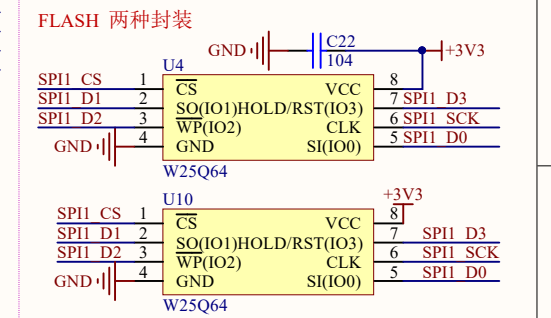
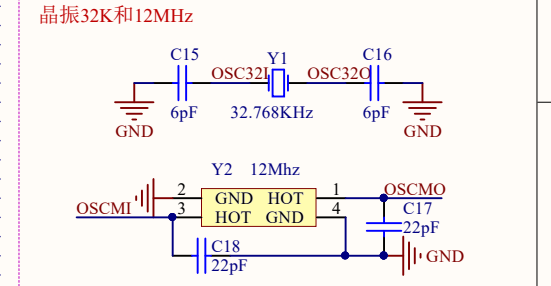
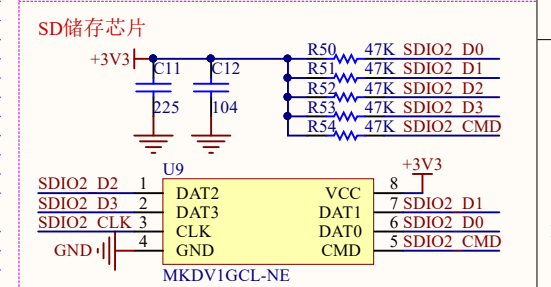
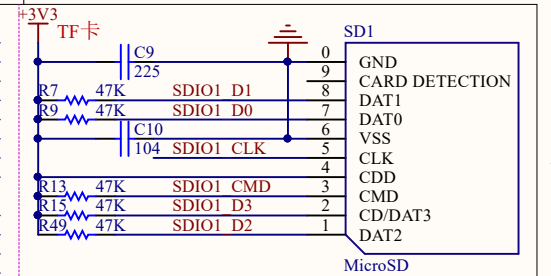


Title		
Size	Number	Revision
A4		
Date:	2020-01-13	Sheet of
File:	C:\Users\...\DISPLAY.SchDoc	Drawn By:



U3		U9		U10	
PA0	35	WEAK-UP/PA0	113	PC3/SPI4_MOSI/SDIO1_D3/I2S_RX	117
PA1	36	IIC1_SDA/SPI1_MOSI/Y-/PB0	114	PC4/SDIO1_CMD/I2S_TX	116
	37	SPI1_MISO/X-/PB1	115	PC5/SDIO1_CLK/I2S_LRC	118
	38	IIC1_SCK/SPI1_SCK/Y+/PB2	116	PC6/SDIO1_D0/I2S_BCLK	119
	39	SPI1_CS/X+/PB3	120	PC7/SDIO1_D1/I2S_MCLK	
	40	PB4/TIM4_CH3/DE/CAN2_RX			
	41	PB5/TIM4_CH2/PCLK/CAN2_TX			
	42	PB6/TIM4_CH1/HSYNC			
	43	PB7/TIM4_ETR/HSYNC			
	44	PB8/RD/CAN1_TX/TIM5_CH1			
	45	PB9/WR/CAN1_RX/TIM5_CH2			
	46	PB10/RS/UART3_TX			
	47	PB11/CS/UART3_RX			
	48	PB12/TK80_BUSY			
	49	TAMPER-RTC/PB13			
	50	TIM7_CH1/OSC32_IN/PB14			
	51	TIM7_CH2/OSC32_OUT/PB15			
	52	OSC_IN			
	53	OSC_OUT			
	54	BOOT			
	55	NC			
	56	NC			
	57	NC			
	58	NC			
	59	NC			
	60	NC			
	61	NC			
	62	NC			
	63	NC			
	64	NC			
	65	NC			
	66	NC			
	67	NC			
	68	NC			
	69	NC			
	70	NC			
	71	NC			
	72	NC			
	73	NC			
	74	NC			
	75	NC			
	76	NC			
	77	NC			
	78	NC			
	79	NC			
	80	NC			
	81	NC			
	82	NC			
	83	NC			
	84	NC			
	85	NC			
	86	NC			
	87	NC			
	88	NC			
	89	NC			
	90	NC			
	91	NC			
	92	NC			
	93	NC			
	94	NC			
	95	NC			
	96	NC			
	97	NC			
	98	NC			
	99	NC			
	100	NC			
	101	NC			
	102	NC			
	103	NC			
	104	NC			
	105	NC			
	106	NC			
	107	NC			
	108	NC			
	109	NC			
	110	NC			
	111	NC			
	112	NC			
	113	NC			
	114	NC			
	115	NC			
	116	NC			
	117	NC			
	118	NC			
	119	NC			
	120	NC			
	121	NC			
	122	NC			
	123	NC			
	124	NC			
	125	NC			
	126	NC			
	127	NC			
	128	NC			
	129	NC			
	130	NC			
	131	NC			
	132	NC			
	133	NC			
	134	NC			
	135	NC			
	136	NC			
	137	NC			
	138	NC			
	139	NC			
	140	NC			
	141	NC			
	142	NC			
	143	NC			
	144	NC			
	145	NC			
	146	NC			
	147	NC			
	148	NC			
	149	NC			
	150	NC			
	151	NC			
	152	NC			
	153	NC			
	154	NC			
	155	NC			
	156	NC			
	157	NC			
	158	NC			
	159	NC			
	160	NC			
	161	NC			
	162	NC			
	163	NC			
	164	NC			
	165	NC			
	166	NC			
	167	NC			
	168	NC			
	169	NC			
	170	NC			
	171	NC			
	172	NC			
	173	NC			
	174	NC			
	175	NC			
	176	NC			
	177	NC			
	178	NC			
	179	NC			
	180	NC			
	181	NC			
	182	NC			
	183	NC			
	184	NC			
	185	NC			
	186	NC			
	187	NC			
	188	NC			
	189	NC			
	190	NC			
	191	NC			
	192	NC			
	193	NC			
	194	NC			
	195	NC			
	196	NC			
	197	NC			
	198	NC			
	199	NC			
	200	NC			
	201	NC			
	202	NC			
	203	NC			
	204	NC			
	205	NC			
	206	NC			
	207	NC			
	208	NC			
	209	NC			
	210	NC			
	211	NC			
	212	NC			
	213	NC			
	214	NC			
	215	NC			
	216	NC			
	217	NC			
	218	NC			
	219	NC			
	220	NC			
	221	NC			
	222	NC			
	223	NC			
	224	NC			
	225	NC			
	226	NC			
	227	NC			
	228	NC			
	229	NC			
	230	NC			
	231	NC			
	232	NC			
	233	NC			
	234	NC			
	235	NC			
	236	NC			
	237	NC			
	238	NC			
	239	NC			
	240	NC			
	241	NC			
	242	NC			
	243	NC			
	244	NC			
	245	NC			
	246	NC			
	247	NC			
	248	NC			
	249	NC			
	250	NC			
	251	NC			
	252	NC			
	253	NC			
	254	NC			
	255	NC			



Title			
Size	Number	Revision	
A4			
Date:	2020-01-13	Sheet of	
File:	C:\Users\...\MCU.SchDoc	Drawn By:	