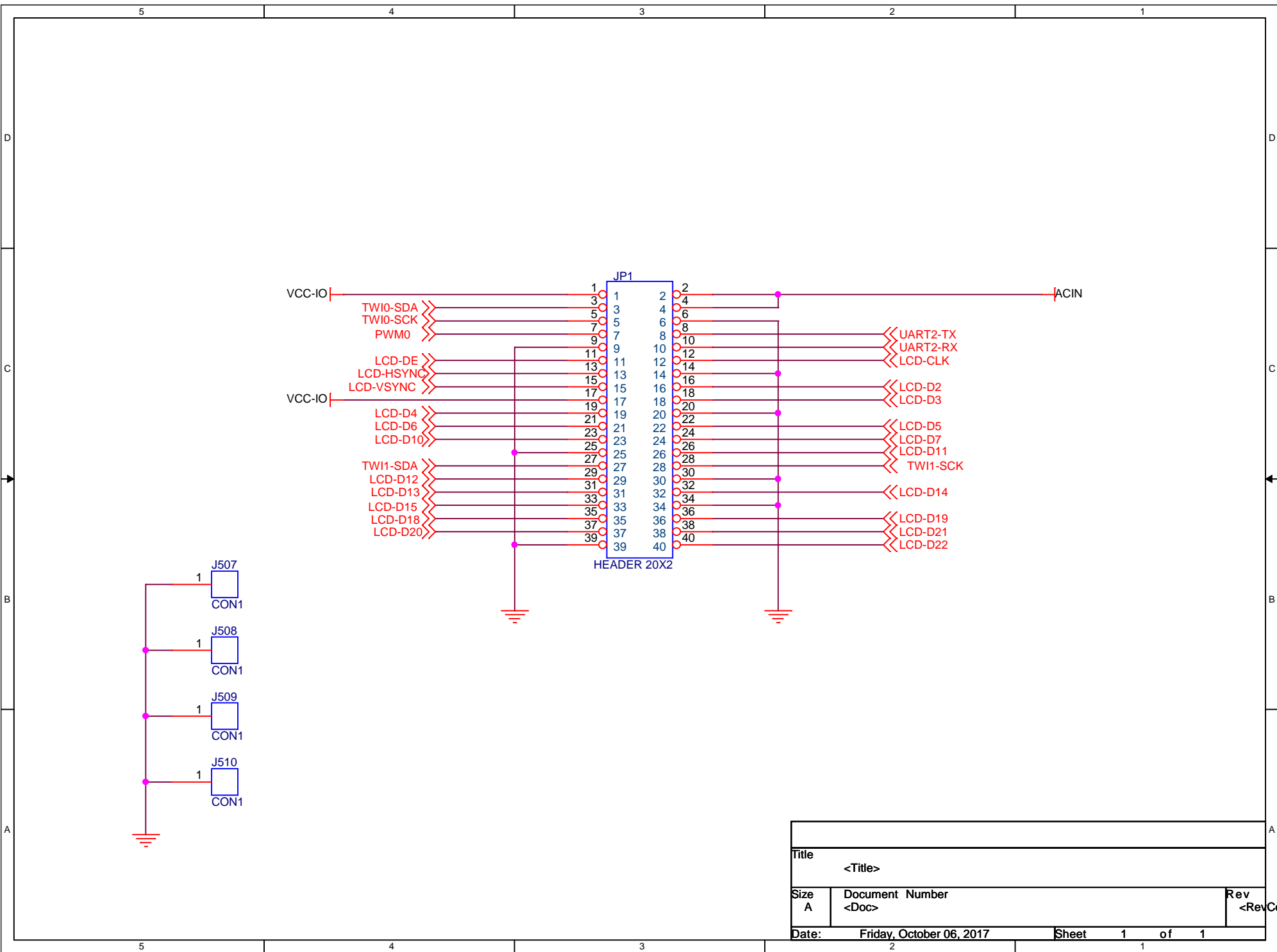


REVISION HISTORY

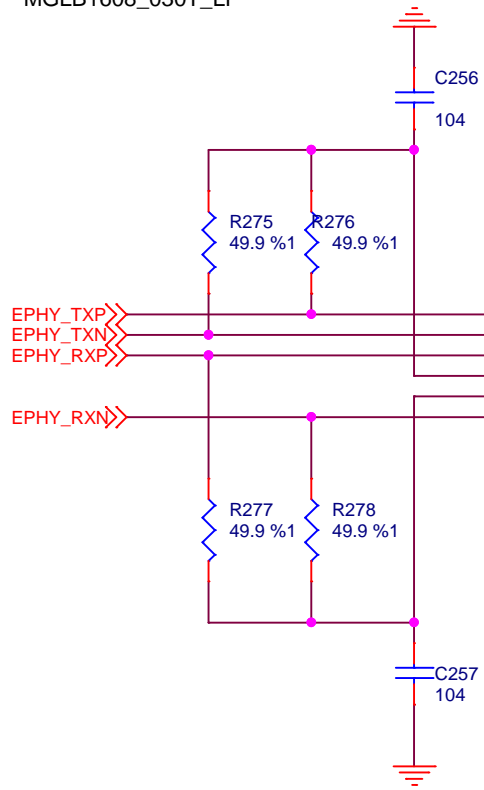
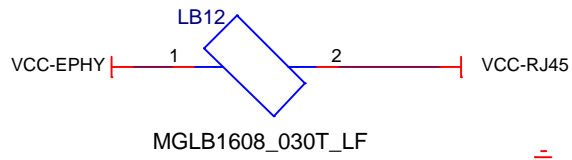
Schematics Index:

P01: REVISION HISTORY
 P02: BLOCK
 P03: POWER TREE
 P04: GPIO ASSIGNMENT
 P05: CPU
 P06: POWER
 P07: CAMERA-MIPI
 P08: RGB LCD 2.7
 P09: NOR NANDFlash/TF Card
 P10: SPEAKER/MICROPHONE/HEADPHONE
 P11: USB/KEY/GSENSOR
 P12: OPTION:RGB LCD 4.3 /CTP/GPS

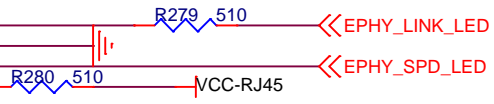
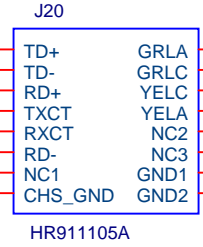
Revision	Description	Date	Drawn	Checked
Ver 0.1	Initial	2015-02-04	HW	
Ver 1.1	changelist.txt	2015-08-17	WJW	



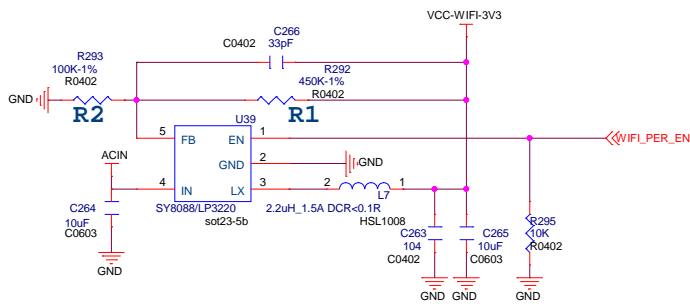
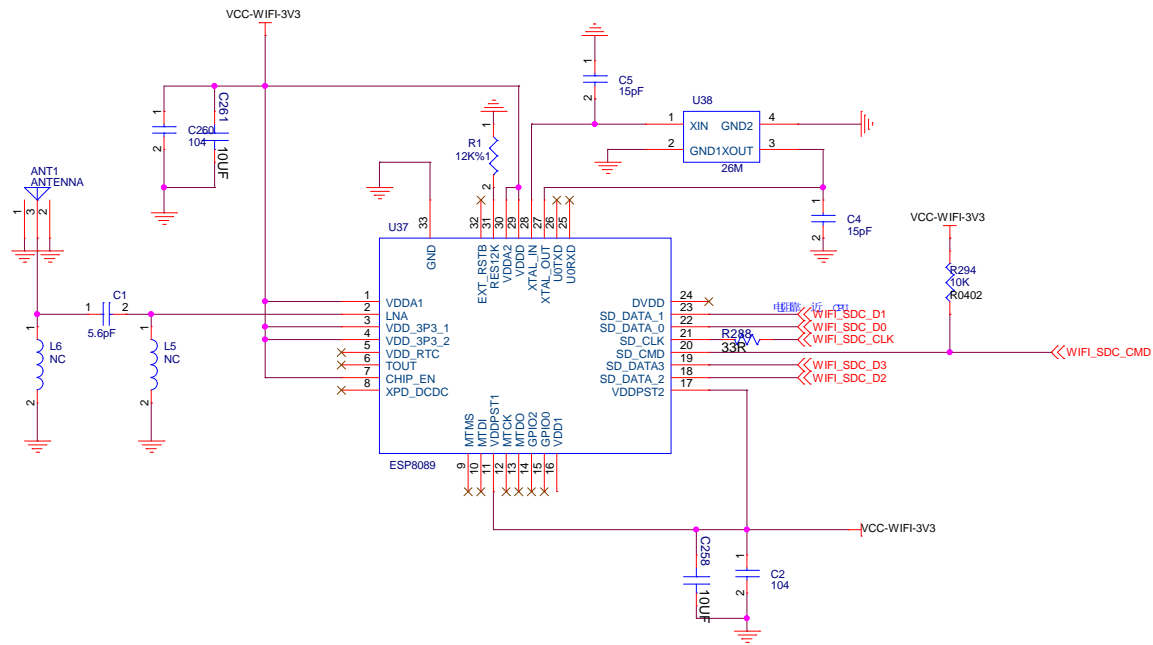
Title		
<Title>		
Size	Document Number	Rev
A	<Doc>	<RevCode>
Date:	Friday, October 06, 2017	Sheet 1 of 1



EPHY_TXP
 EPHY_TXN
 EPHY_RXP
 EPHY_RXN



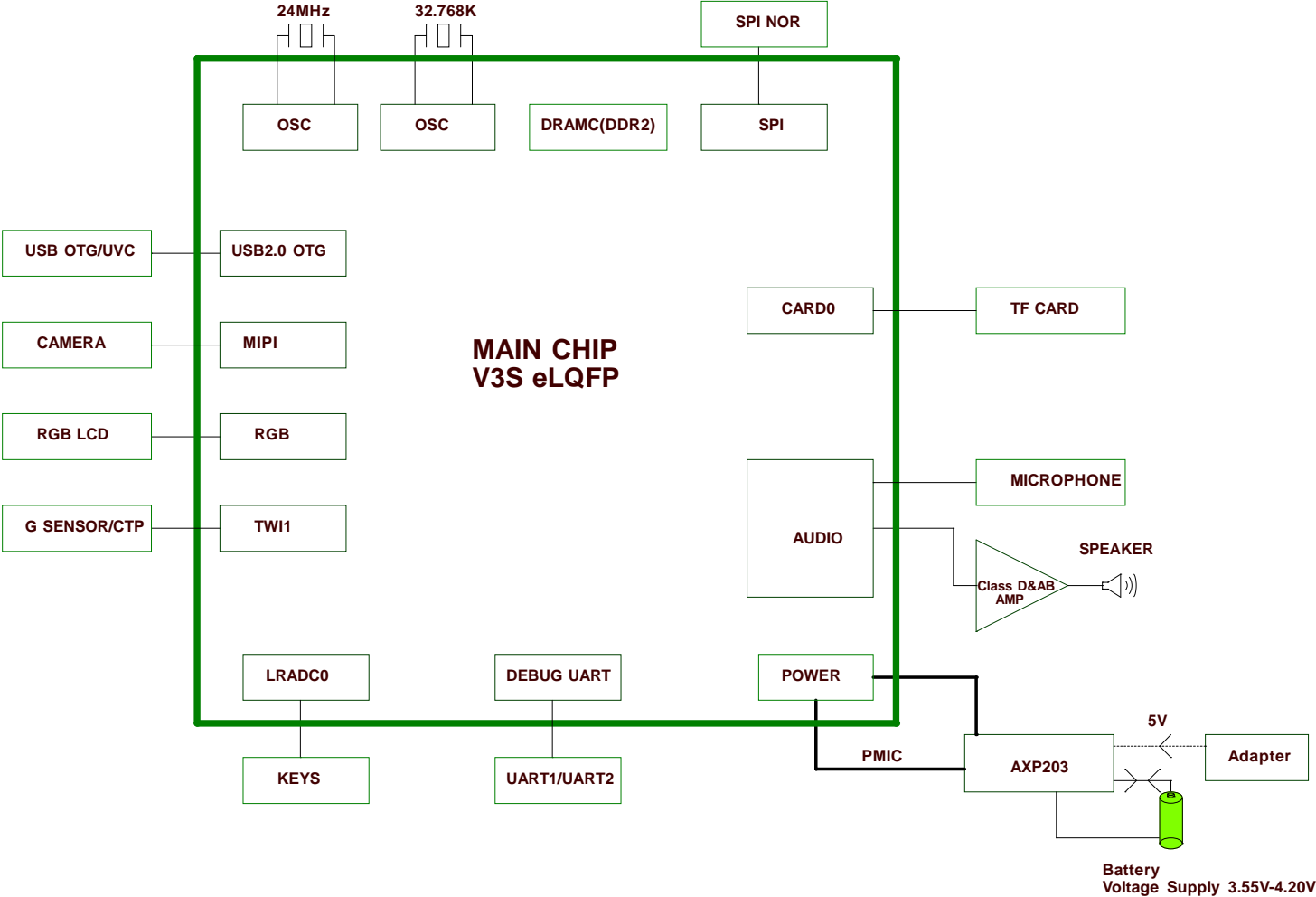
Title		
<Title>		
Size	Document Number	Rev
A	<Doc>	<RevCode>
Date: Friday, October 06, 2017		Sheet 1 of 1



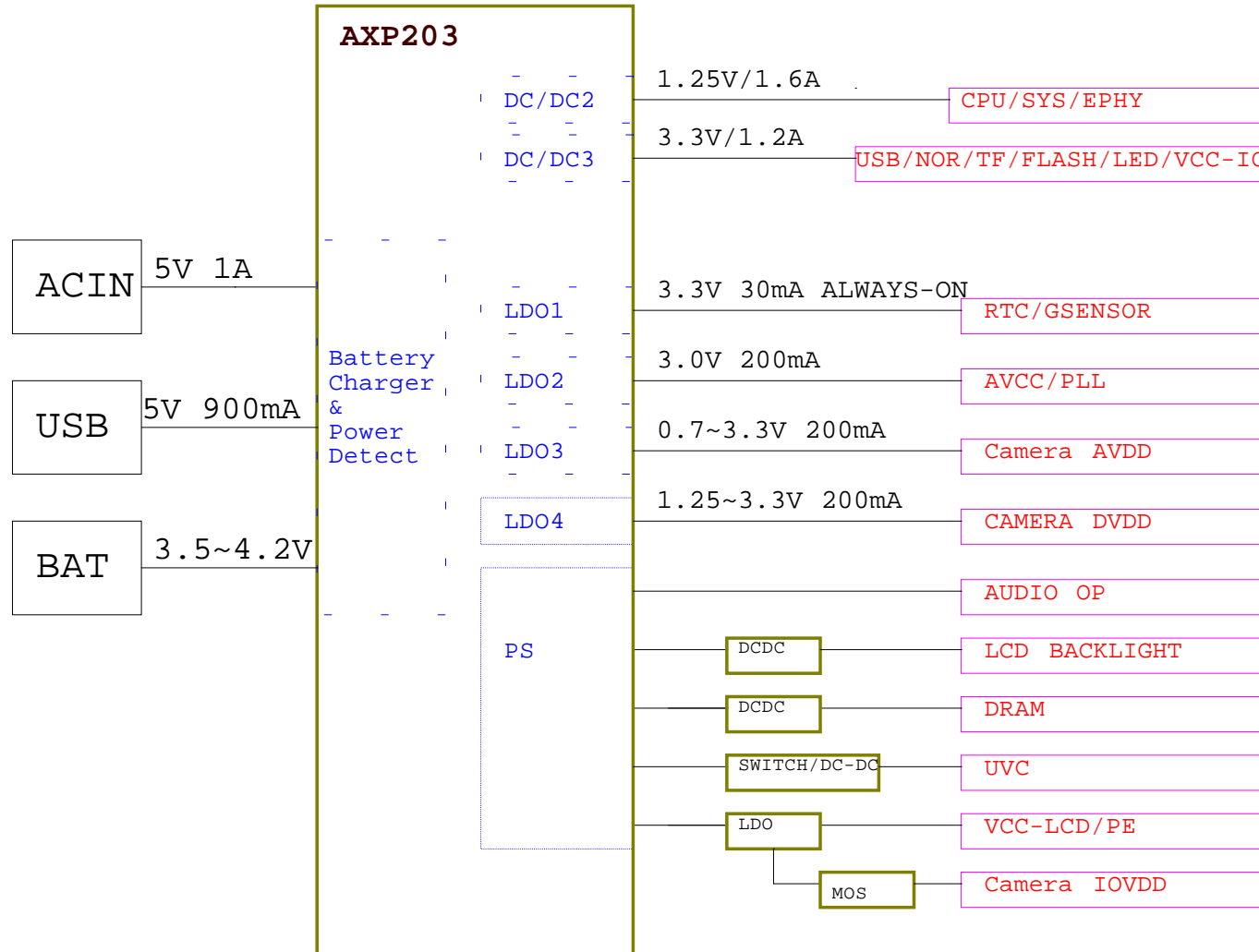
$$V_{out} = 0.6 * (1 + R1/R2) = 1.8V$$

Title			
<Title>			
Size	Document	Number	Rev
A3	<Doc>		<Rev Code>
Date:	Friday, October 06, 2017	Sheet	1 of 1

BLOCK DIAGRAM



POWER TREE



GPIO ASSIGNMENT

PIN	Define	CFG	Function
PB0	CTP-WAKE	1	CTP
PB1	CTP-INT	0	
PB2	LCD-BL-EN	1	LCD
PB3	LCD-PWR-EN	1	
PB4	PWM0	2	
PB5	PA-SHDN	1	AUDIO
PB6	TWIO-SCK	2	PMU
PB7	TWIO-SDA	2	
PB8	TWII_SCK	2	G-SENSOR
PB9	TWII_SDA	2	

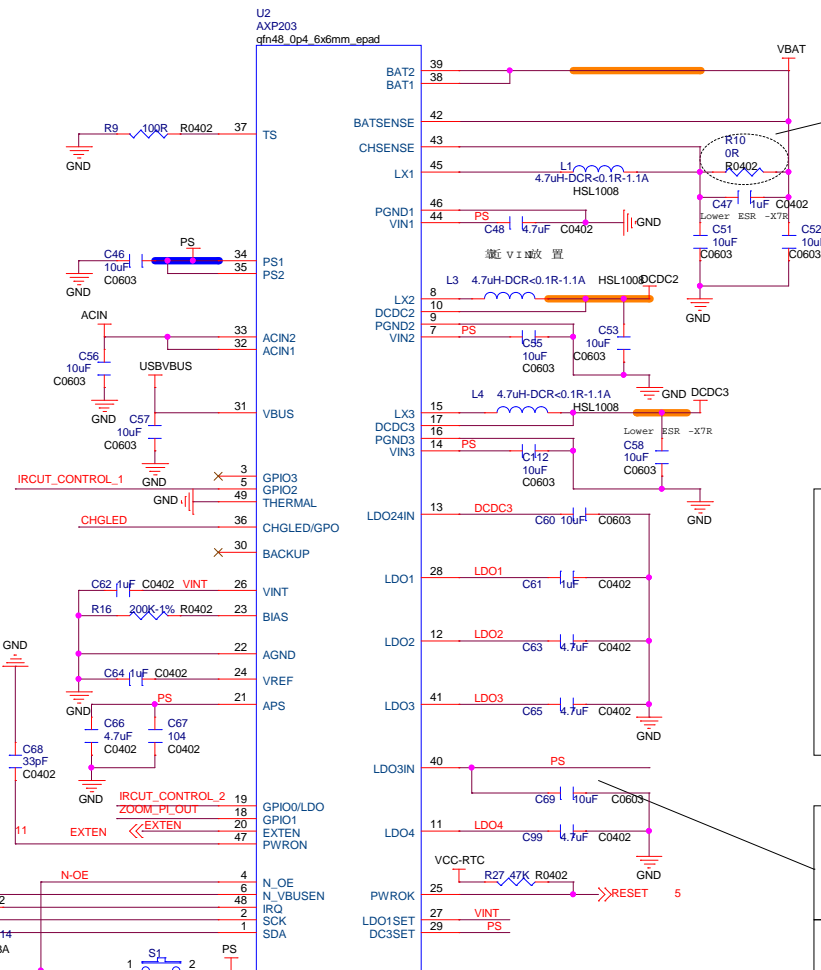
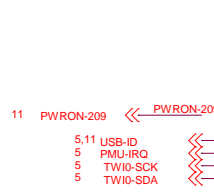
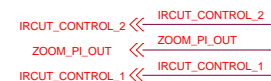
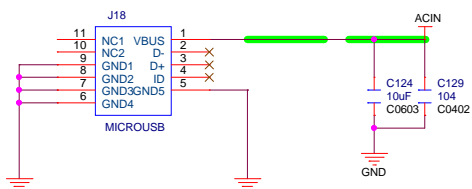
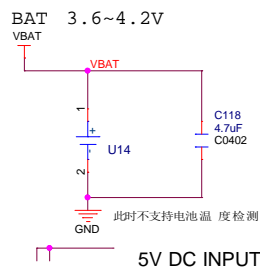
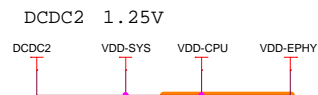
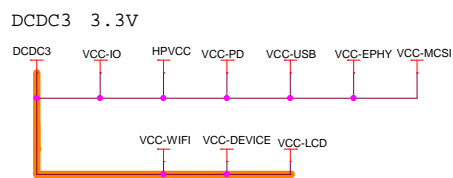
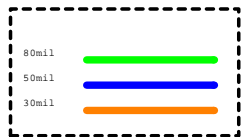
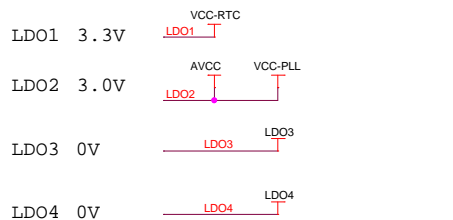
PIN	Define	CFG	Function
PC0	SPI0_MISO	3	NOR/ NAND
PC1	SPI0_CLK	3	
PC2	SPI0_CS	3	
PC3	SPI0_MOSI	3	

PIN	Define	CFG	Function
PE0	LCD_CLK	3	LCD
PE1	LCD_DE	3	
PE2	LCD_HSYNC	3	
PE3	LCD_VSYNC	3	
PE4	LCD_D2	3	
PE5	LCD_D3	3	
PE6	LCD_D4	3	
PE7	LCD_D5	3	
PE8	LCD_D6	3	
PE9	LCD_D7	3	
PE10	LCD_D8	3	
PE11	LCD_D11	3	
PE12	LCD_D12	3	
PE13	LCD_D13	3	
PE14	LCD_D14	3	
PE15	LCD_D15	3	
PE16	LCD_D18	3	
PE17	LCD_D19	3	
PE18	LCD_D20	3	
PE19	LCD_D21	3	
PE20	CSI-MIPI-MCLK	2	MIPI
PE21	CSI-SDA	2	
PE22	CSI-SCK	2	
PE23	LCD_D22	3	LCD
PE24	LCD_D23	3	

PIN	Define	CFG	Function
PF0	SDC0-D1	2	TF CARD
PF1	SDC0-D0	2	
PF2	SDC0-CLK	2	
PF3	SDC0-CMD	2	
PF4	SDC0-D3	2	
PF5	SDC0-D2	2	
PF6	SDC0-DET	0	

PIN	Define	CFG	Function
PG0	MIPI-CSI-RESET	1	GPIO
PG1	MIPI-CSI-PWDN	1	
PG2	PG2	0	
PG3	USB-DRVVBUS	1	
PG4	USB-ID	0	
PG5	PMU-IRQ	0	

POWER



若负载电流 小于 300mA，
 则电阻修改为100mR。
 铁磁相应修改。(30R)

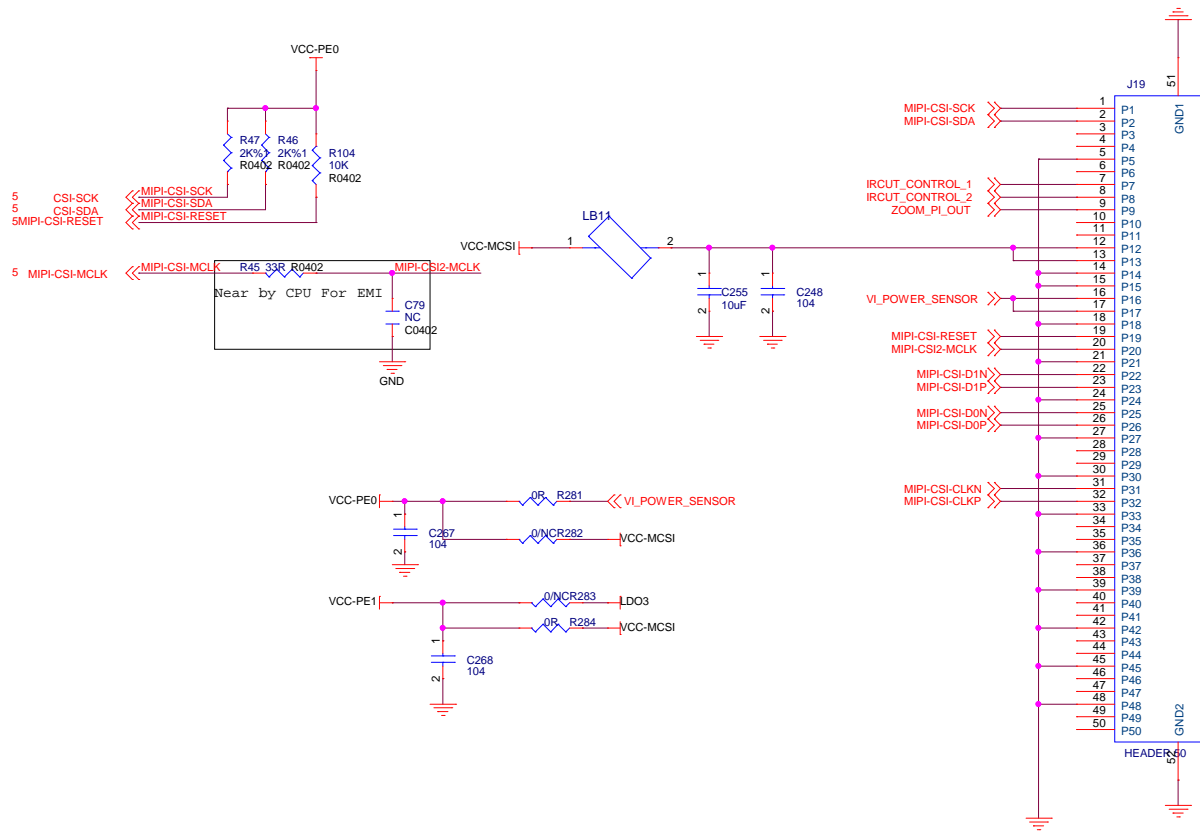
PMU的GPIO0~GPIO3为扩展 IO。
 GPIO2和GPIO是open drain结构，
 作为输出引脚时需要加上拉电阻，
 上拉电源根据实际情况选择。

AR0330/JX-H22
 LDO3--AVDD 2.8V
 R33贴；R3 2 NC

OV2710/GC1004
 LDO3--AVDD 3.3V
 R32贴；R3 3 NC

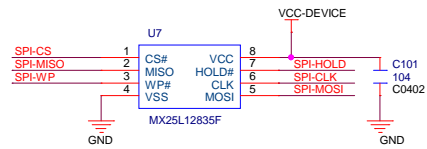
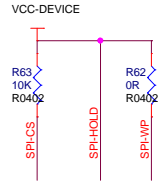
$$V_{out} = 0.6 * (1 + R1/R2) = 1.8V$$

CAMERA



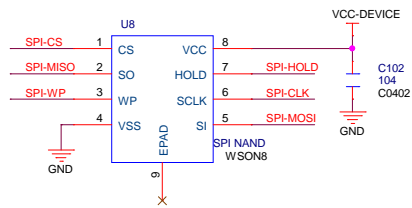
Flash

NOR



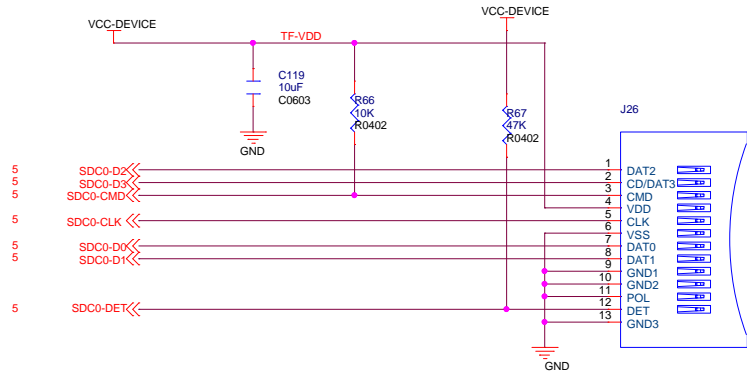
U7 Mount MX25L12835F

OPTION : NAND



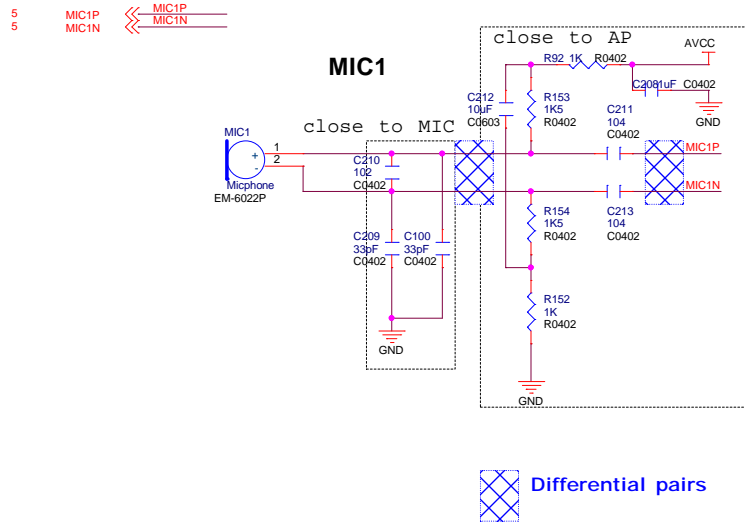
SD CARD

CARD0

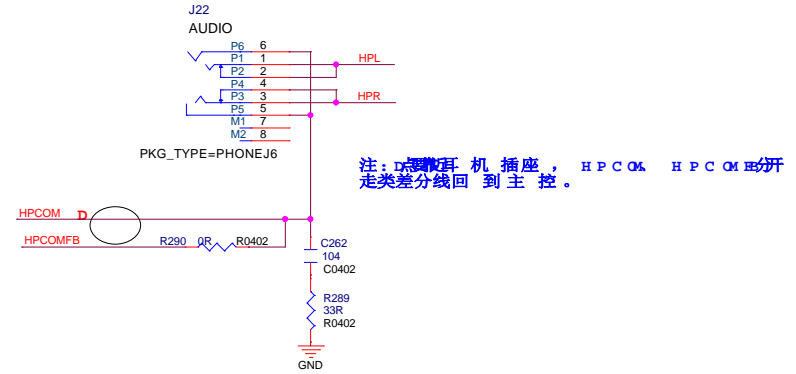
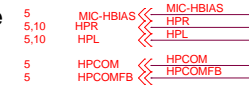


AUDIO

Analog Microphone (Main MIC)

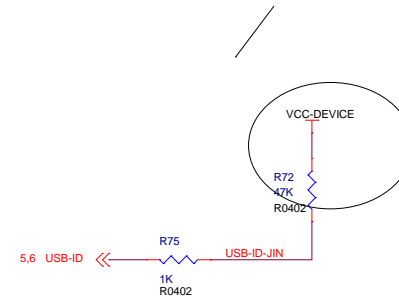
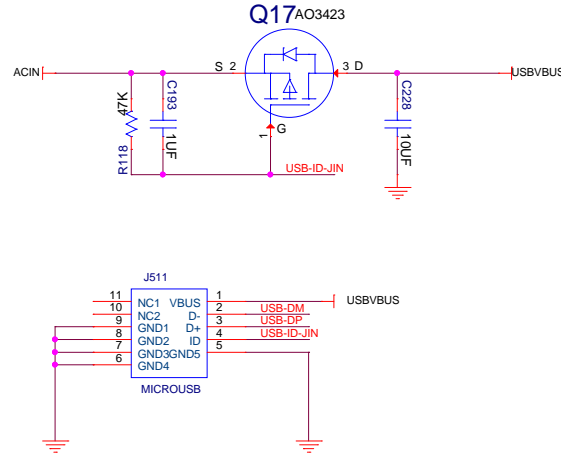


OPTION:Head Phone

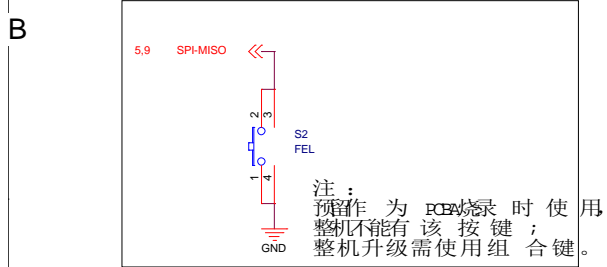


USB/WIFI/KEY/GSENSOR

USB OTG/UVC



注：
USB-ID用作OTG功能检测，用来区别HSD还是
DEVICE接入；倒检测功能在摄像头实现，通过USB上报。



KEY

注每隔 0.2V一个按键

