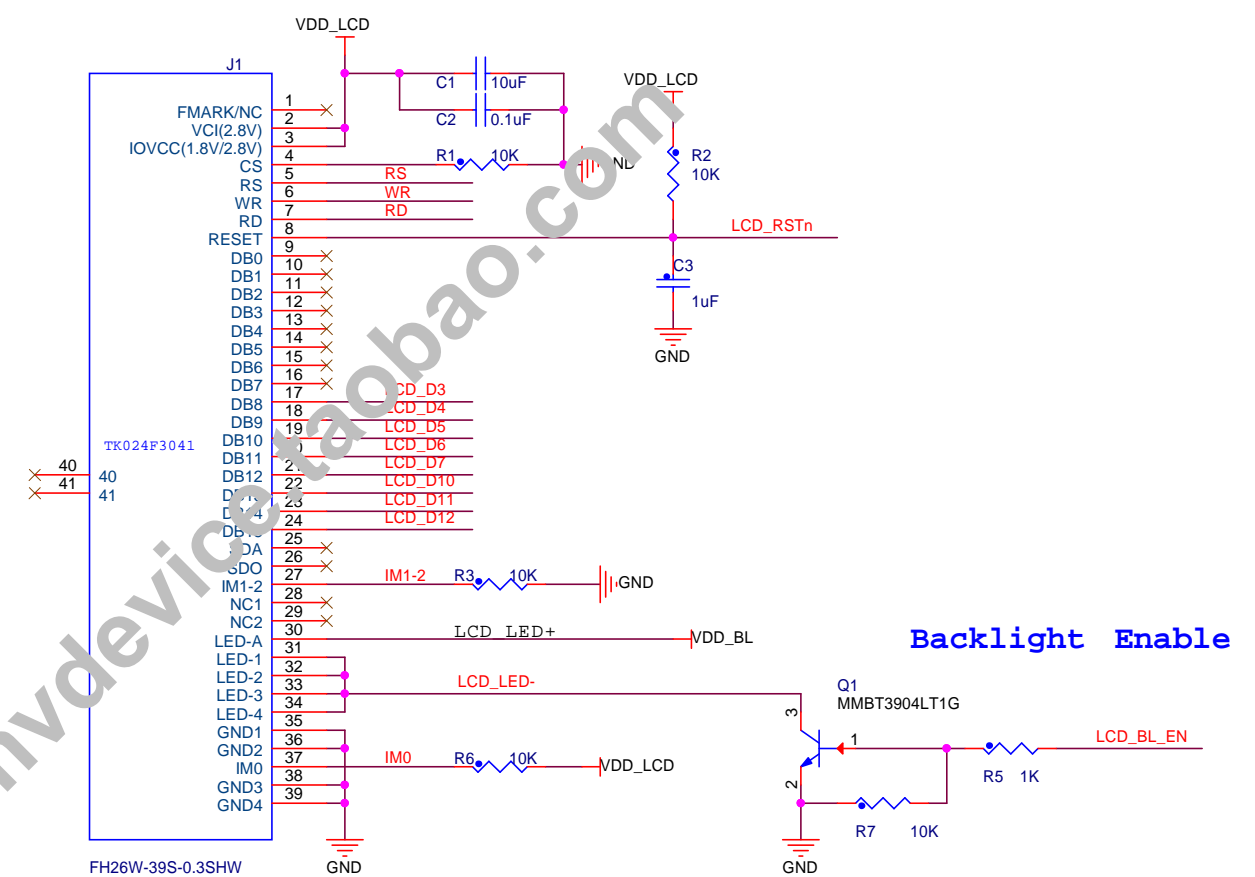
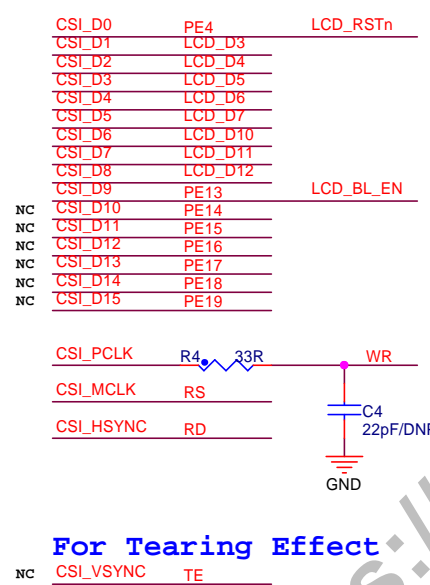
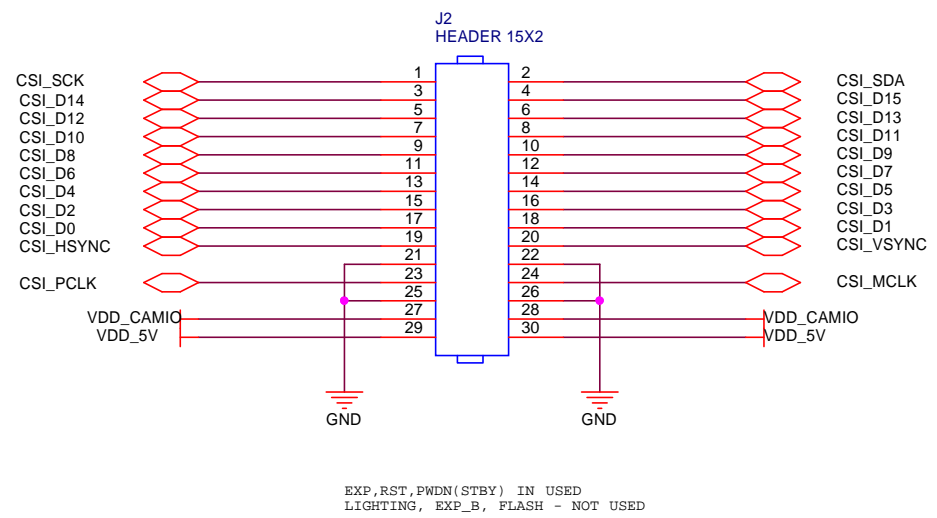


# TK024F3041

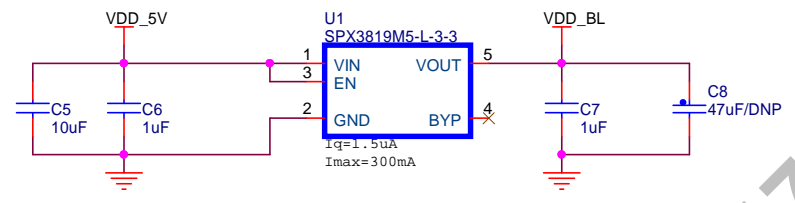
## DVP / LCD



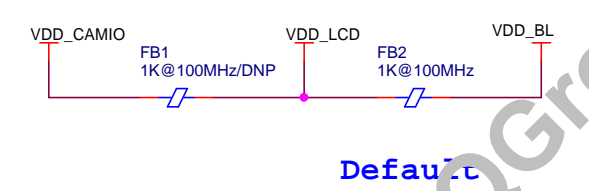
IM1-2=0  
IM0 =0->16bit[15:0]  
=1->8bit [15:8]

IM1-2=1  
IM0 =0->4Wire-SPI

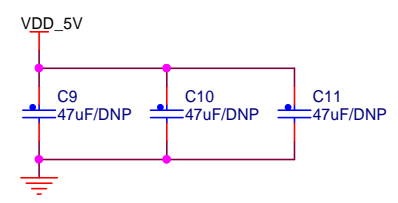
## 3.3V - Backlight



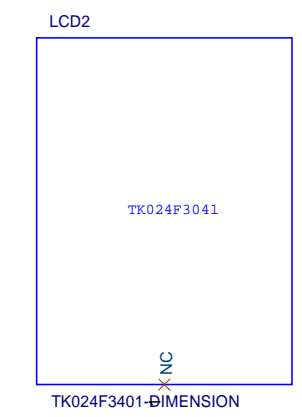
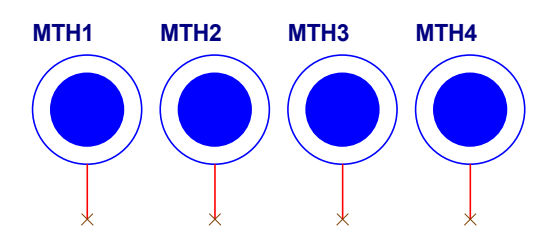
## LCD Logic Power



## DNP



## MOUNTING HOLE / 4mm\_2mm



Title		
<Title>		
Size	Document Number	Rev
A3	<Doc>	<RevCode>
Date:	Tuesday, October 02, 2018	Sheet 1 of 1