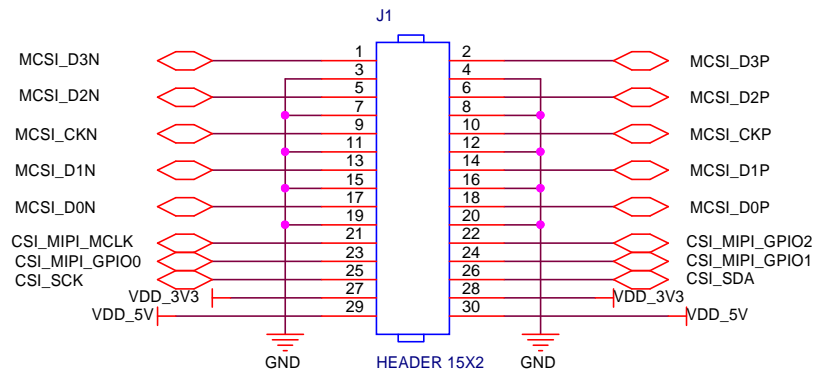


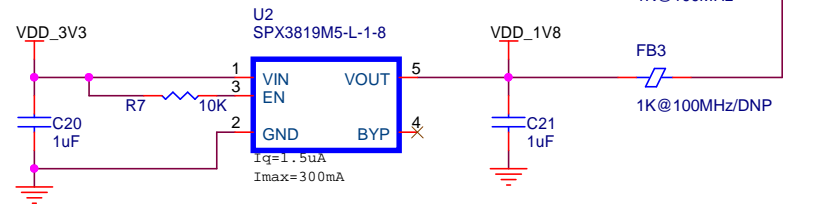
MIPI-CSI



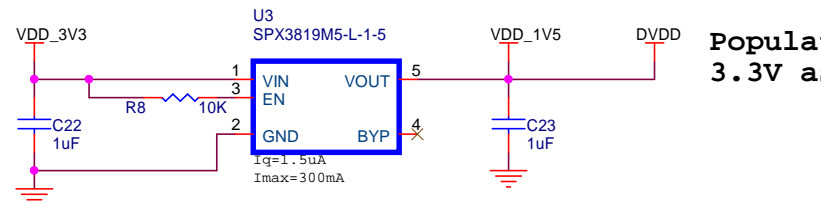
3.3V



1.8V

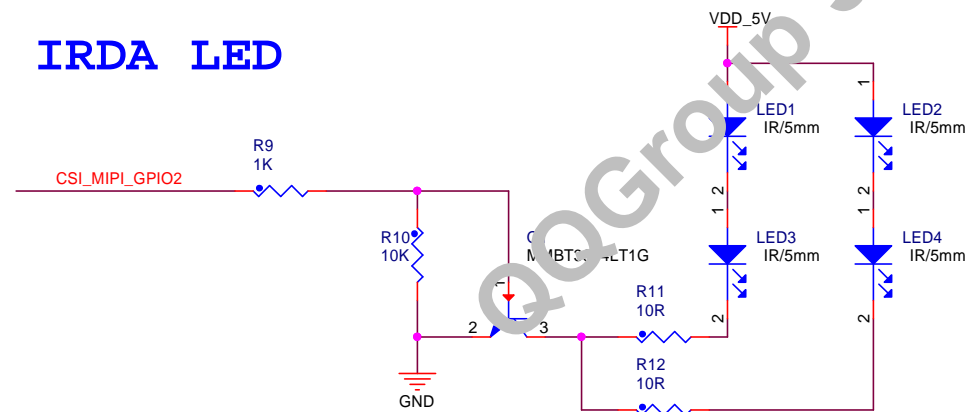


1.5V

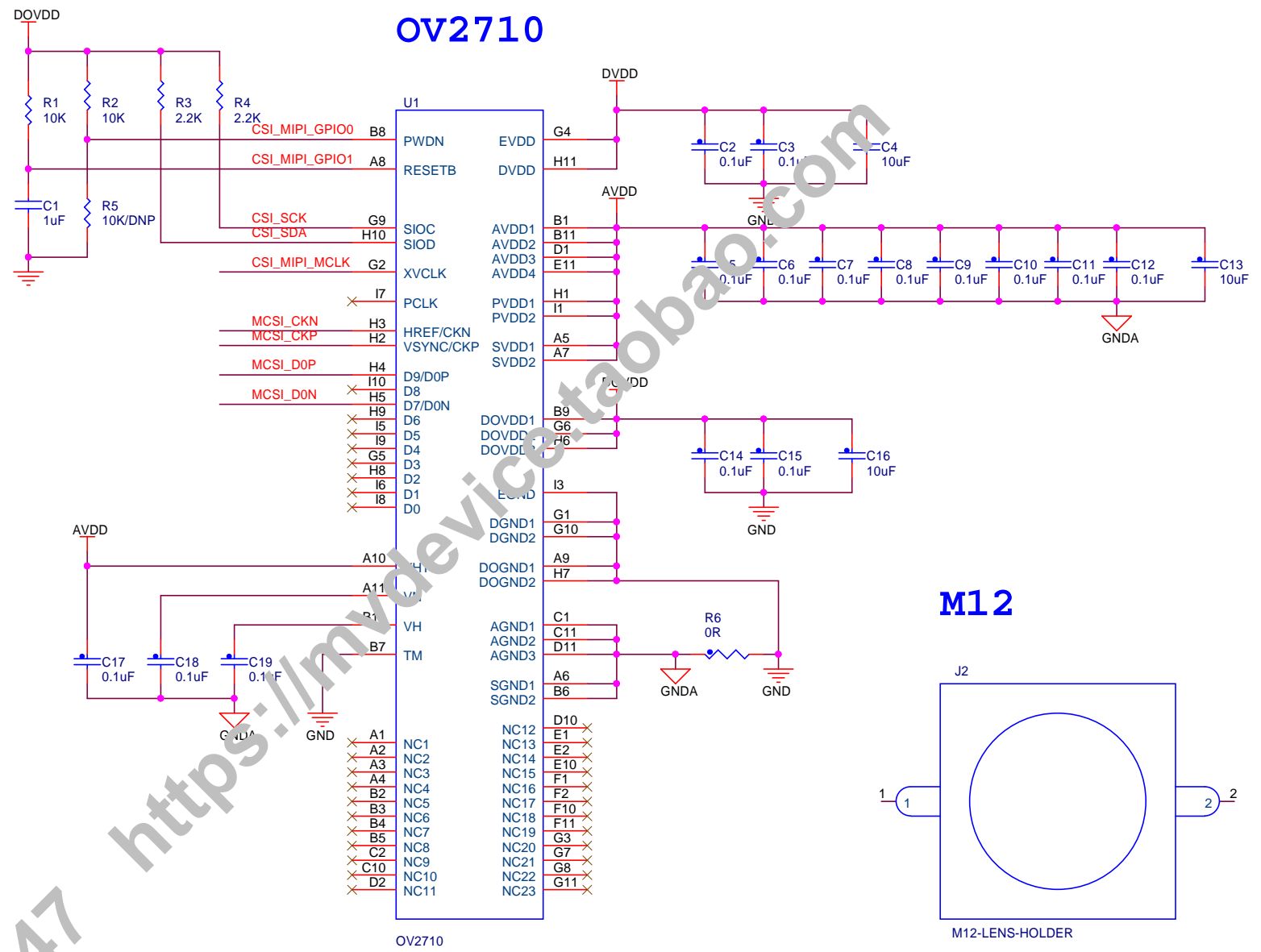


Populate 1.5V when using 3.3V as DOVDD

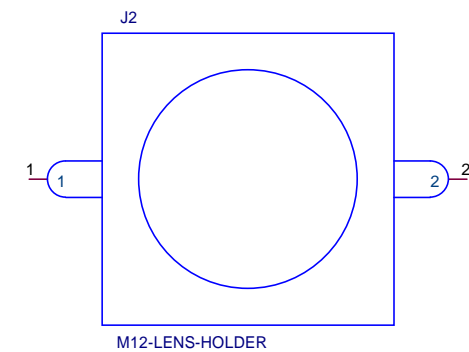
IRDA LED



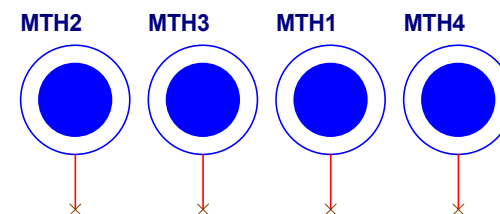
OV2710



M12



MOUNTING HOLE / 4mm_2mm



Title		<Title>
Size	Document Number	Rev
A3	<Doc>	<RevCode>
Date:	Wednesday, September 12, 2018	Sheet 1 of 1