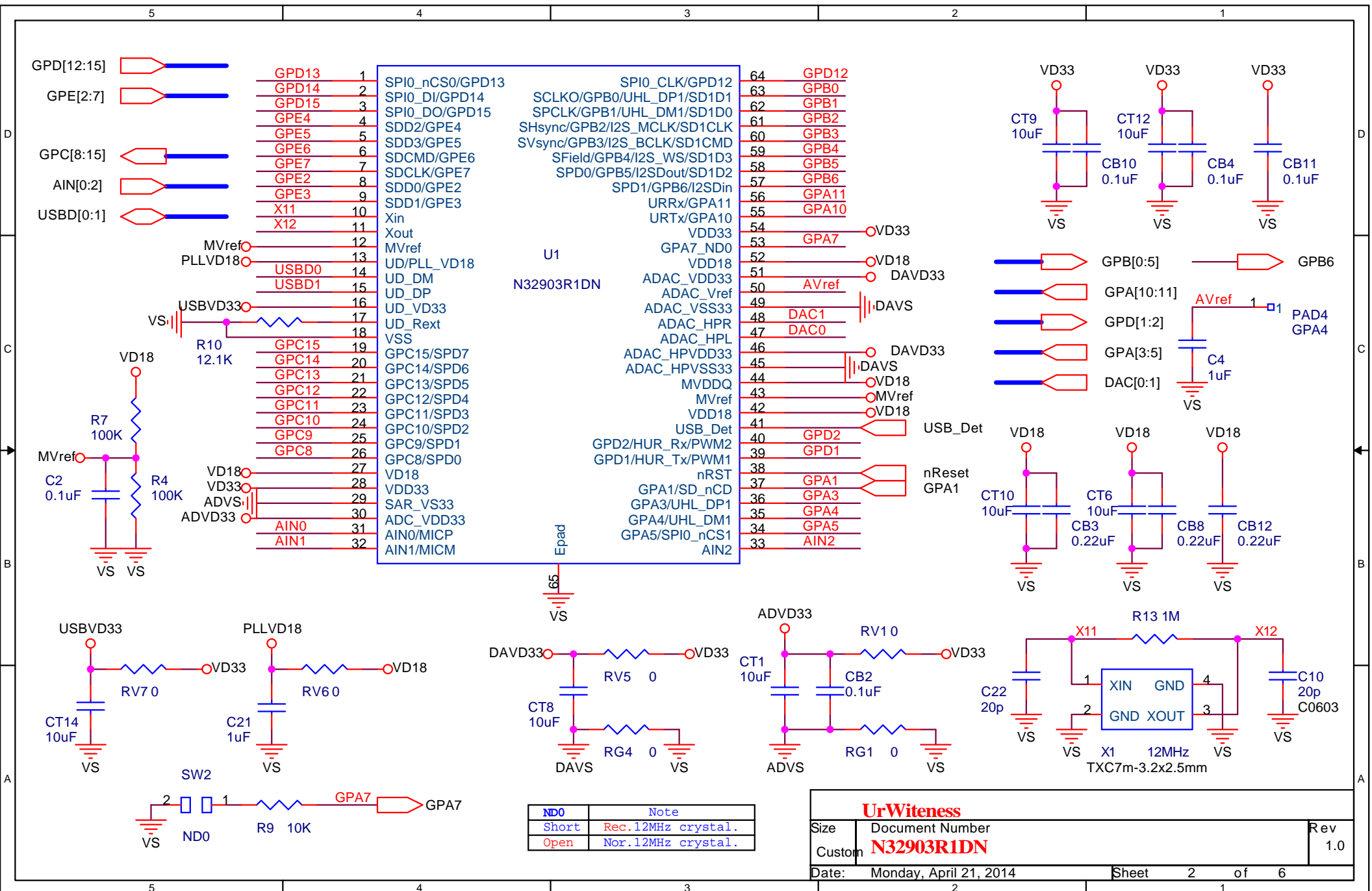


**UrWitness**

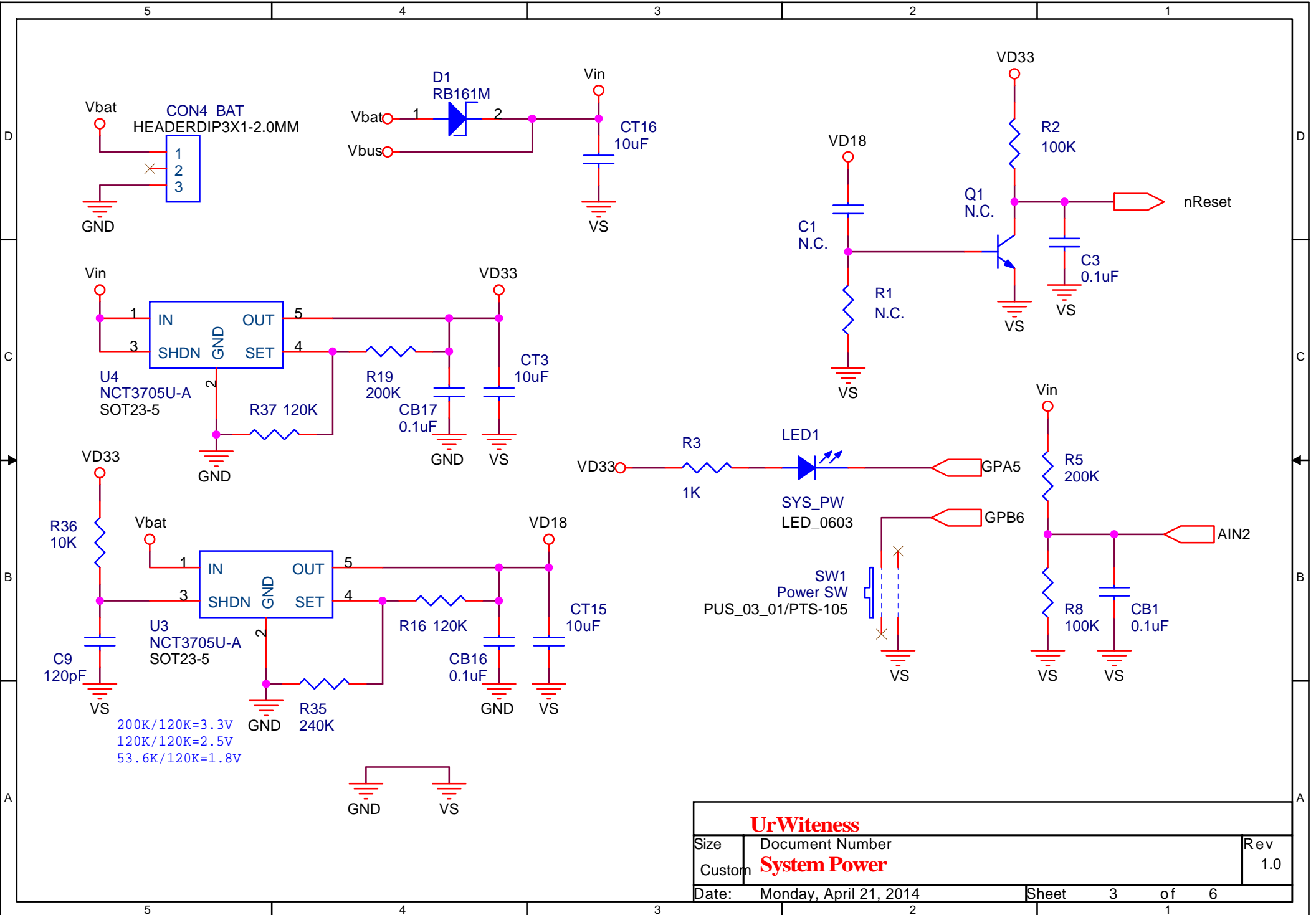
|        |                        |              |
|--------|------------------------|--------------|
| Size   | Document Number        | Rev          |
| Custom | <b>Block Diagram</b>   | 1.0          |
| Date:  | Monday, April 21, 2014 | Sheet 1 of 6 |



|       |                    |
|-------|--------------------|
| ND0   | Note               |
| Short | Rec.12MHz crystal. |
| Open  | Nor.12MHz crystal. |

**UrWitenss**

|        |                        |              |
|--------|------------------------|--------------|
| Size   | Document Number        | Rev          |
| Custom | <b>N32903R1DN</b>      | 1.0          |
| Date:  | Monday, April 21, 2014 | Sheet 2 of 6 |



CON4 BAT  
HEADERDIP3X1-2.0MM

D1  
RB161M

U4  
NCT3705U-A  
SOT23-5

U3  
NCT3705U-A  
SOT23-5

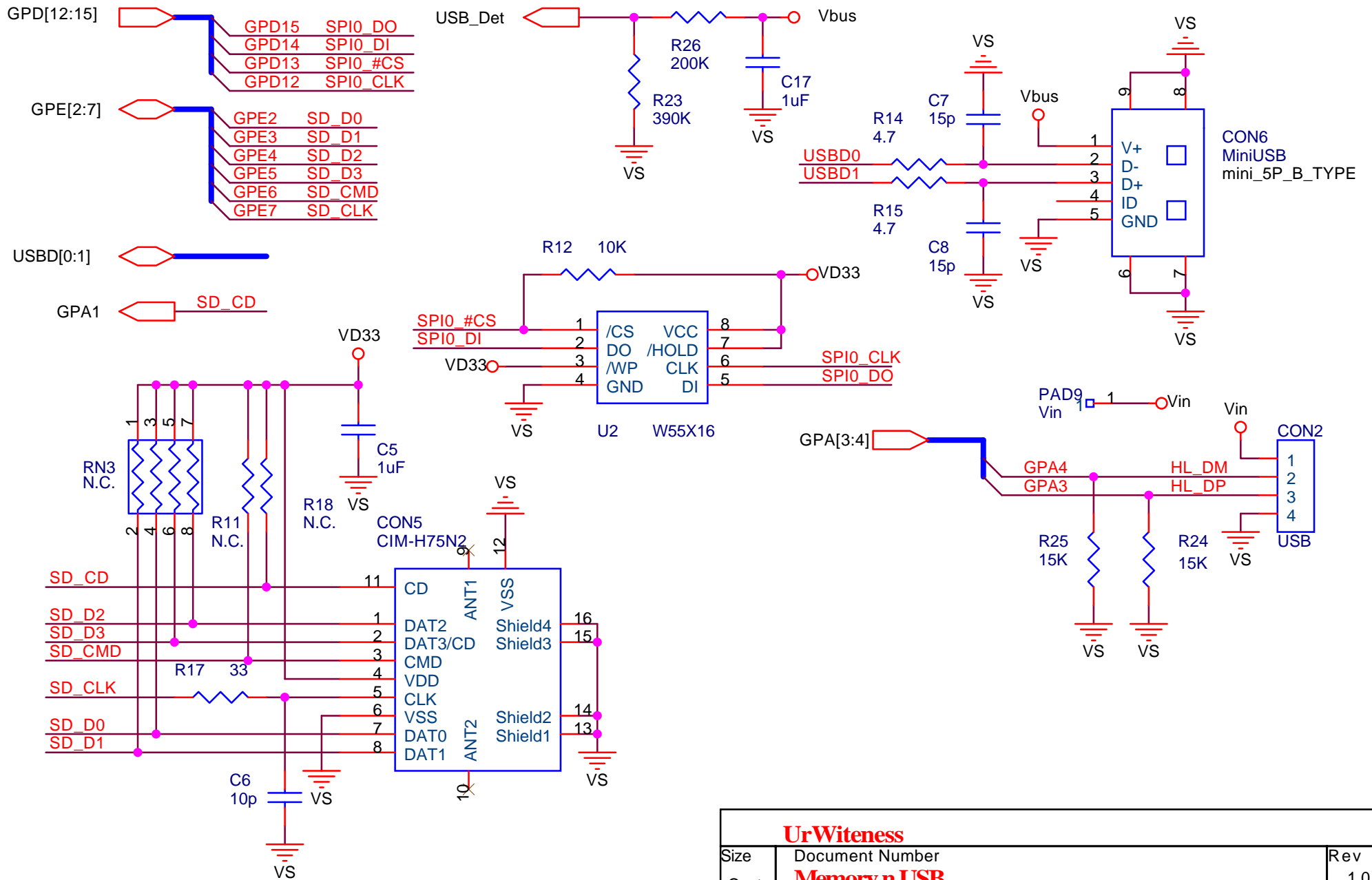
LED1  
SYS\_PW  
LED\_0603

SW1  
Power SW  
PUS\_03\_01/PTS-105

**UrWitness**

|        |                        |              |
|--------|------------------------|--------------|
| Size   | Document Number        | Rev          |
| Custom | <b>System Power</b>    | 1.0          |
| Date:  | Monday, April 21, 2014 | Sheet 3 of 6 |

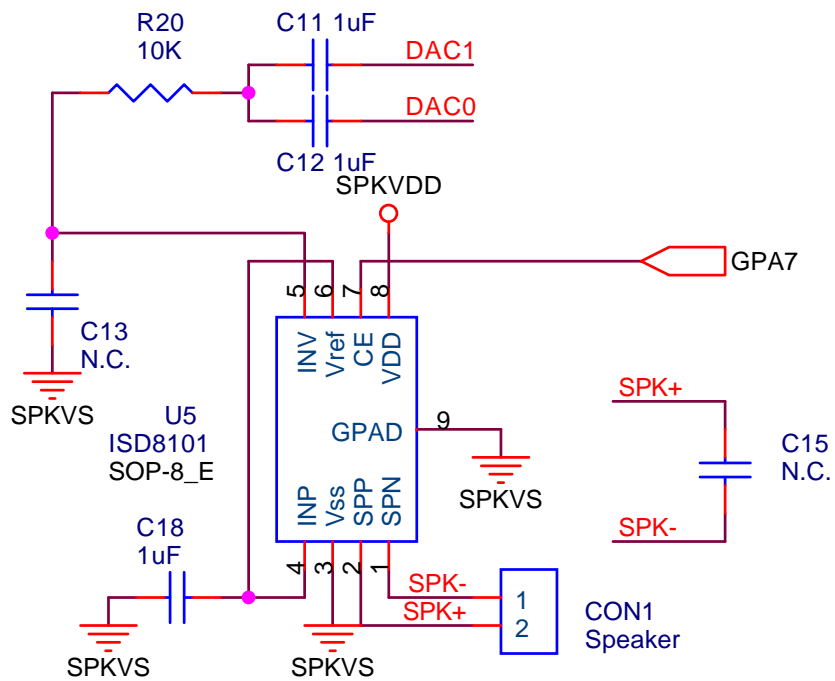
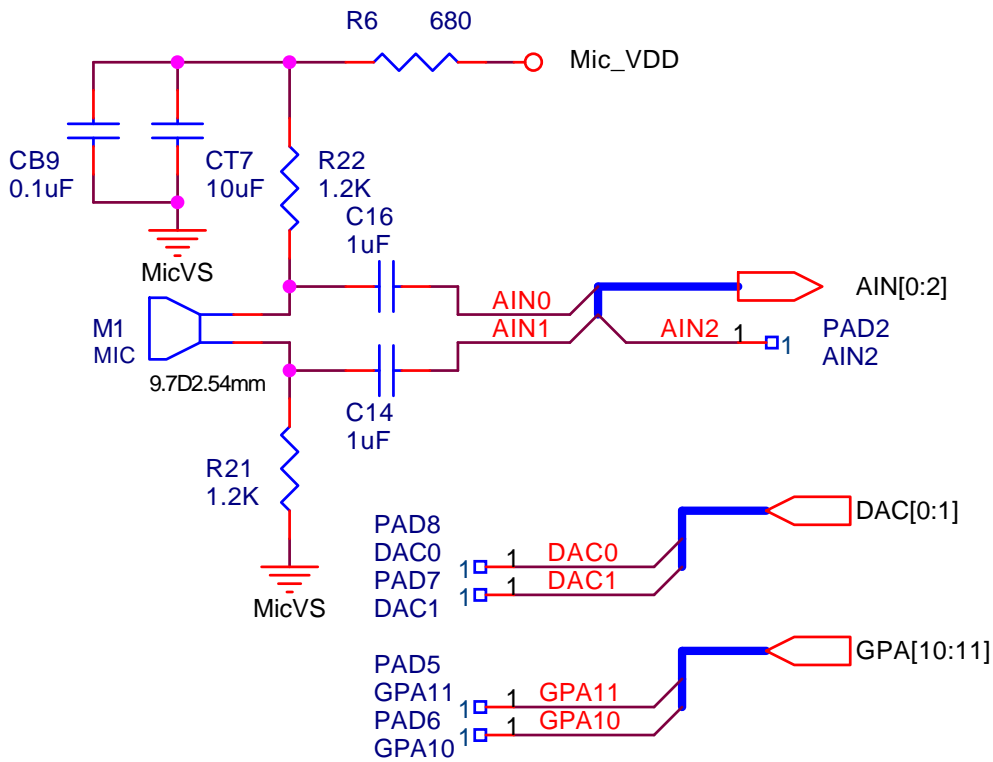
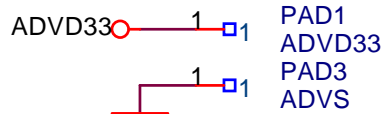
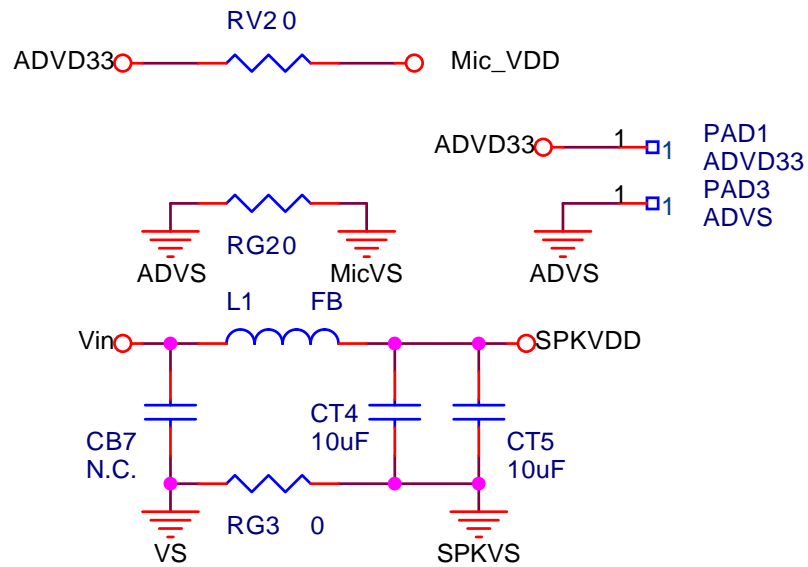
$200K/120K=3.3V$   
 $120K/120K=2.5V$   
 $53.6K/120K=1.8V$



**UrWitness**

|        |                        |              |
|--------|------------------------|--------------|
| Size   | Document Number        | Rev          |
| Custom | <b>Memory n USB</b>    | 1.0          |
| Date:  | Monday, April 21, 2014 | Sheet 4 of 6 |





|                    |                              |              |
|--------------------|------------------------------|--------------|
| <b>UrWitensess</b> |                              | Rev<br>1.0   |
| Size               | Document Number              |              |
| Custom             | <b>Microphone, Amplifier</b> |              |
| Date:              | Monday, April 21, 2014       | Sheet 6 of 6 |