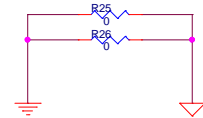
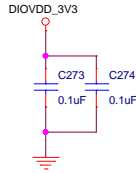
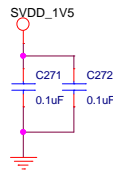
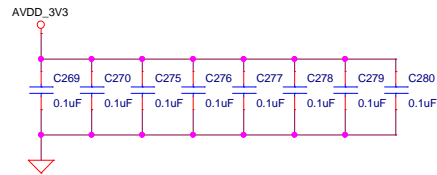
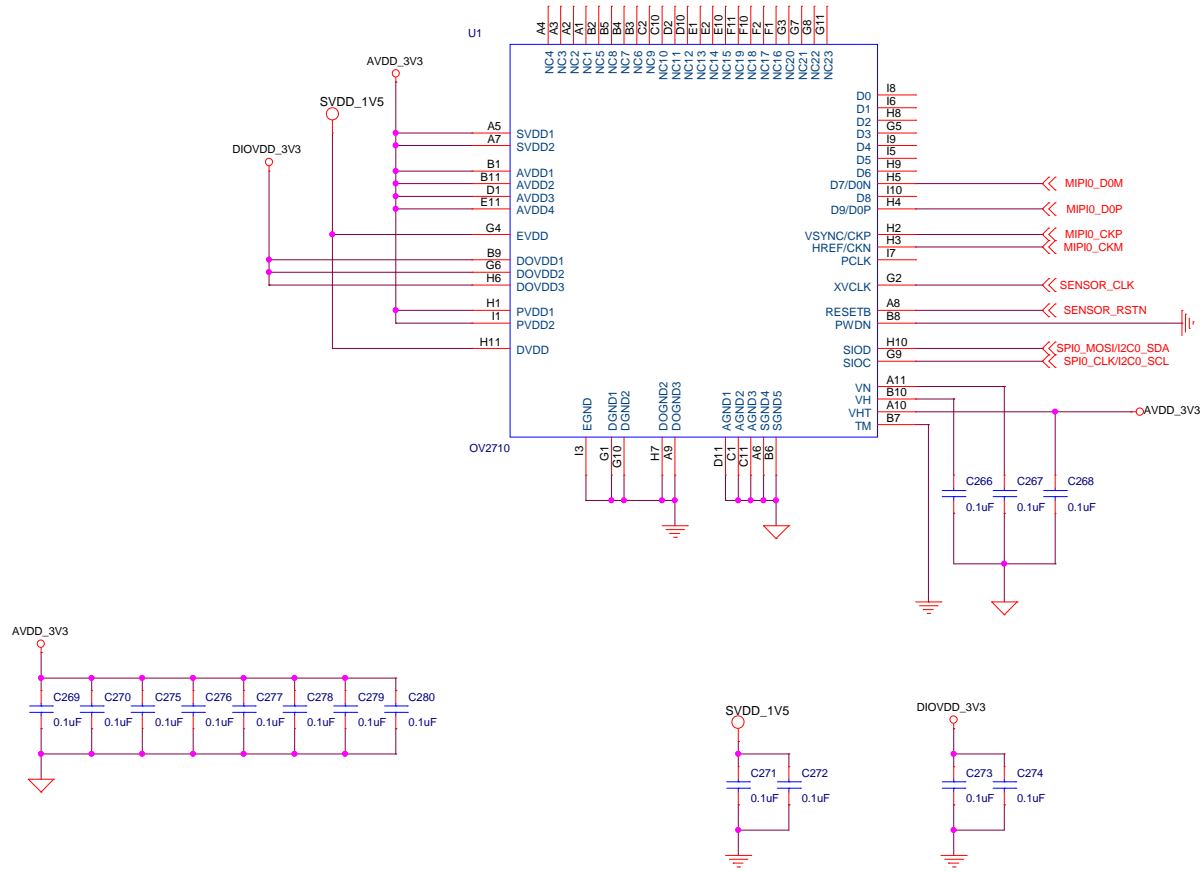
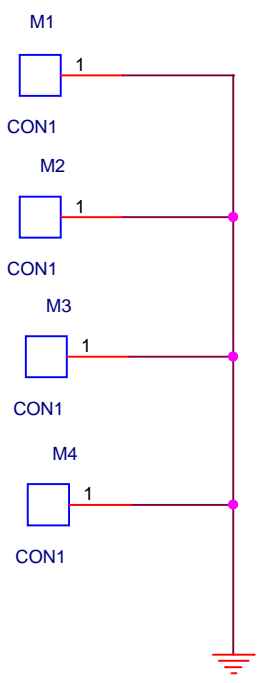
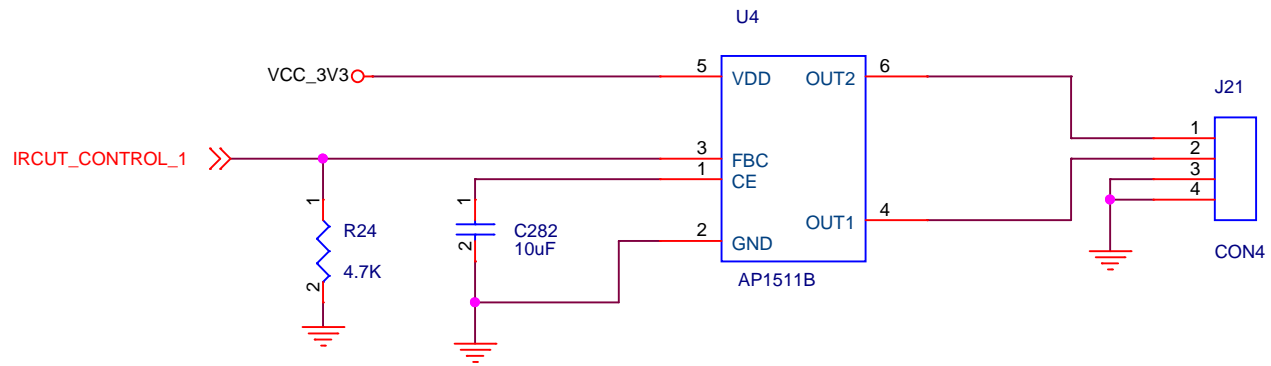


Title			<Title>
Size	Document Number	Rev	
A3	<Doc>	<RevCode>	
Date:	Wednesday, November 22, 2017	Sheet	1 of 1



Title			
<Title>			
Size	Document	Number	Rev
A3	<Doc>		<RevCode>
Date:	Saturday, November 18, 2017	Sheet	1 of 1



Title		
<Title>		
Size	Document Number	Rev
A	<Doc>	<RevCode>
Date: Saturday, December 16, 2017		
Sheet 1 of 1		