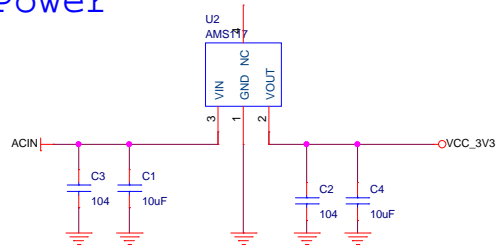
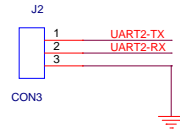


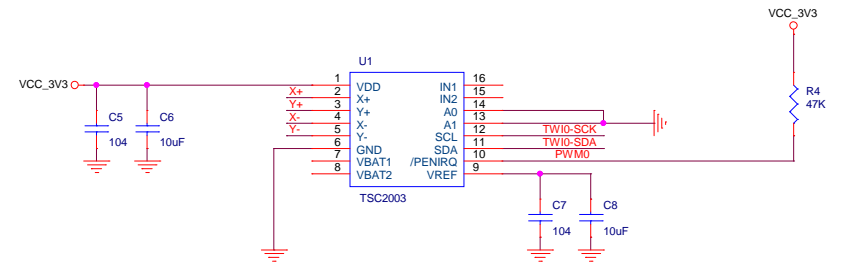
# Power



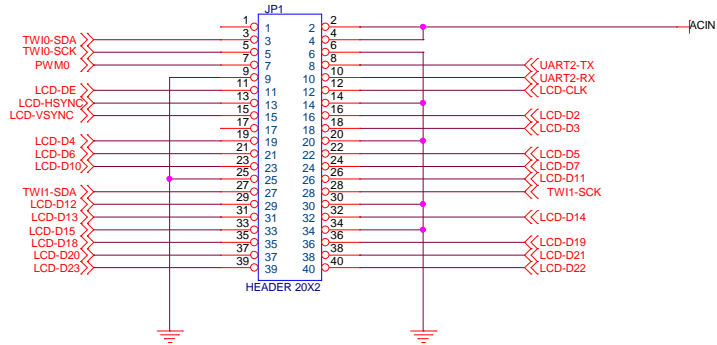
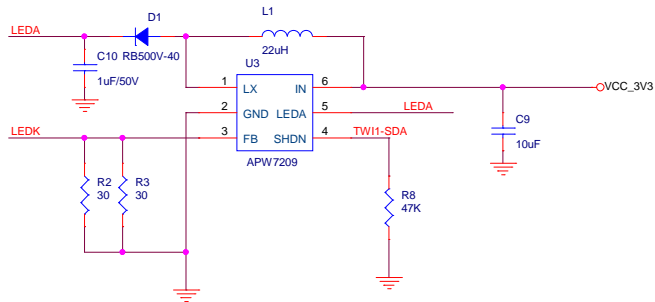
# Debug



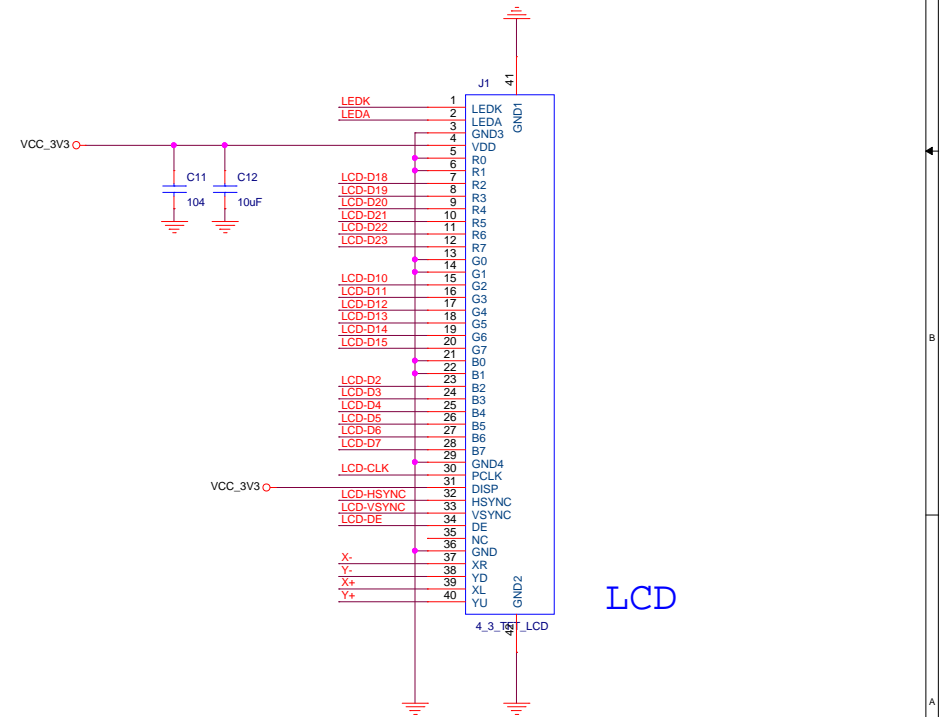
# TP



# BL



# Interface



Title			
<Title>			
Size	Document	Number	Rev
A3	<Doc>		<RevCode>
Date:	Sunday, January 07, 2018	Sheet	1 of 1