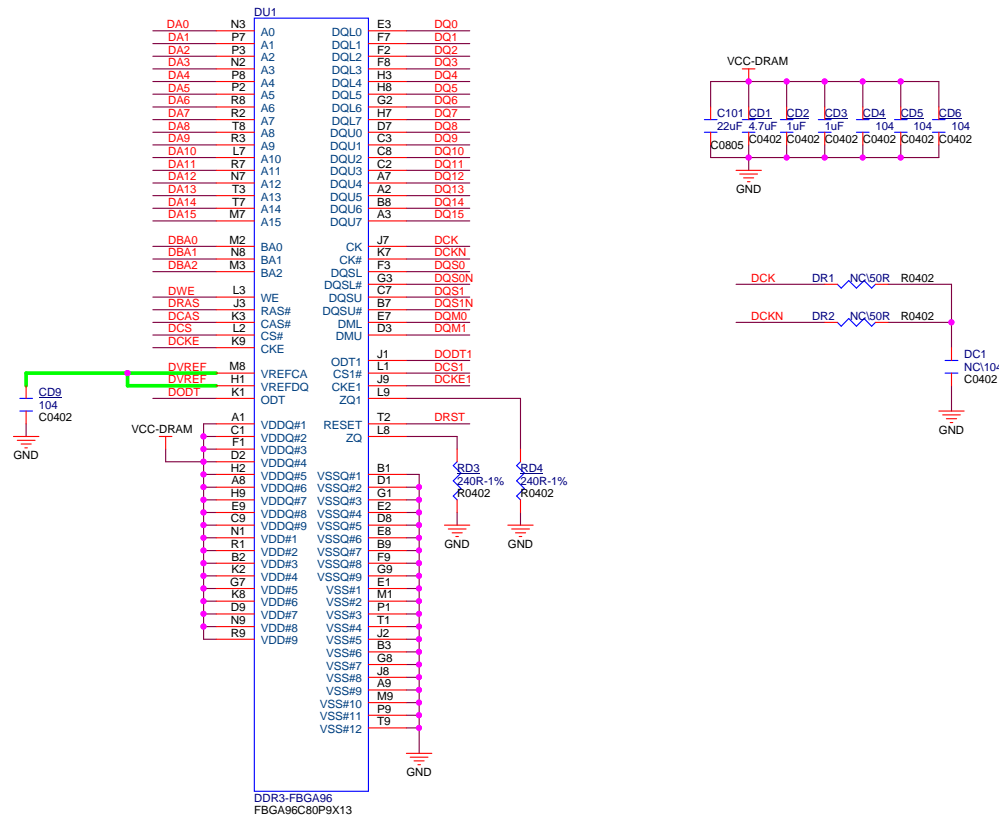
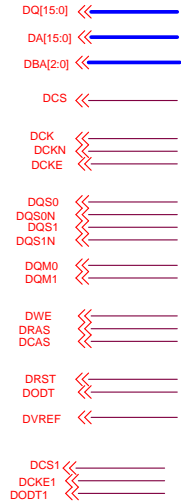
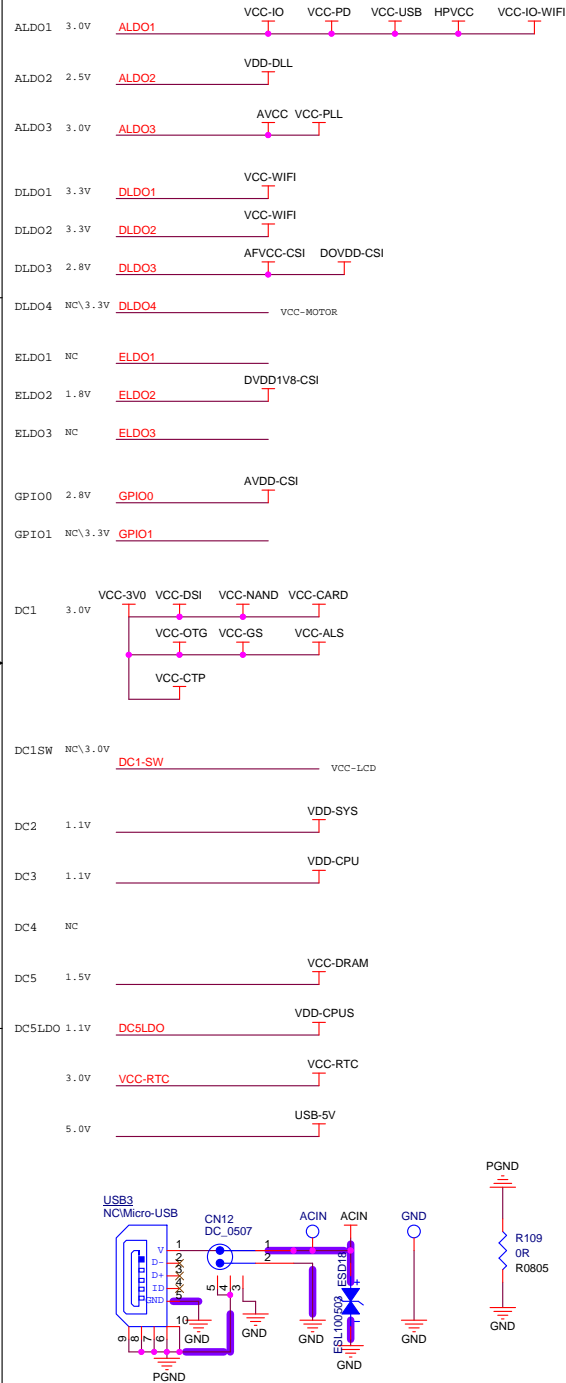


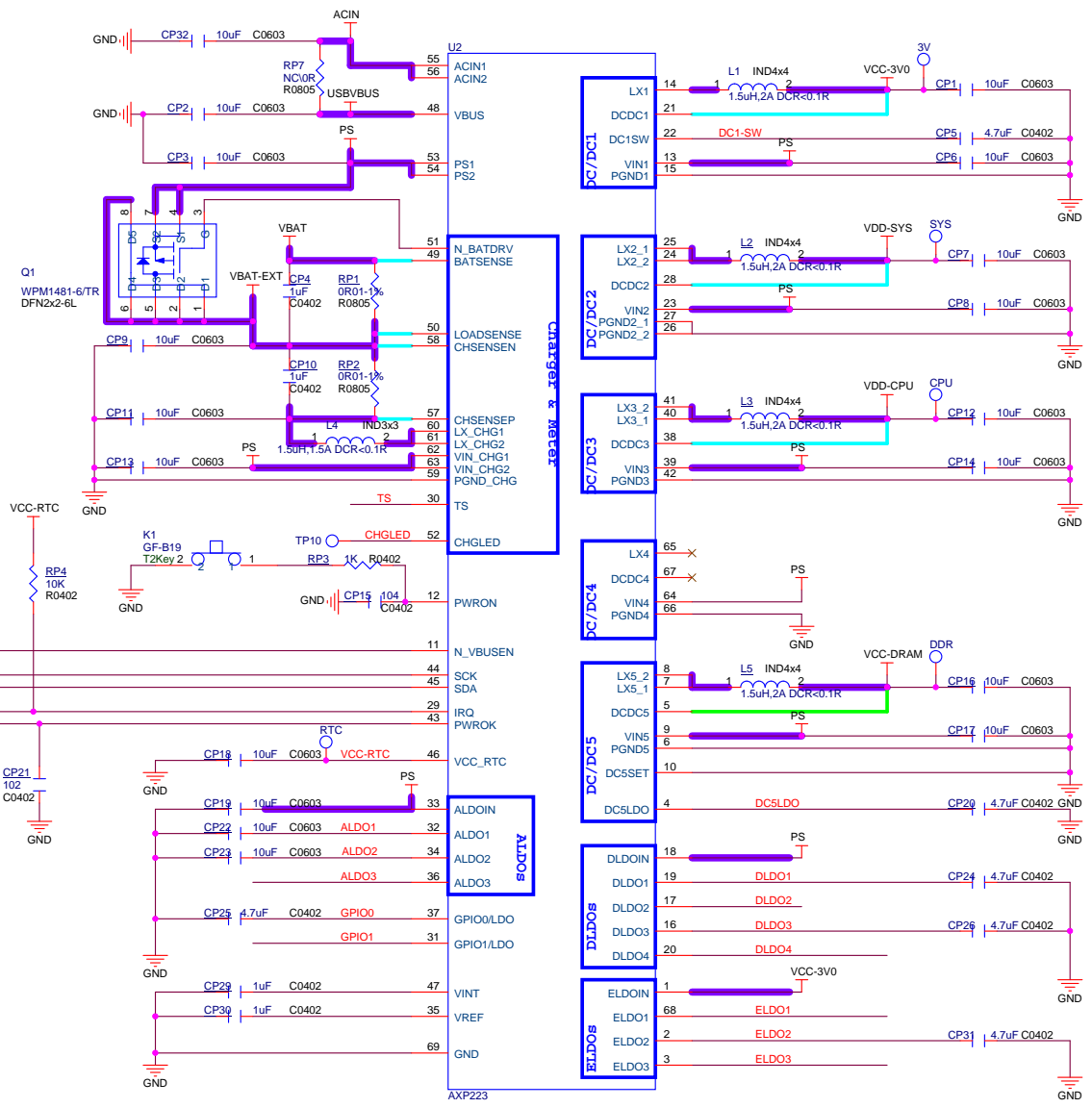
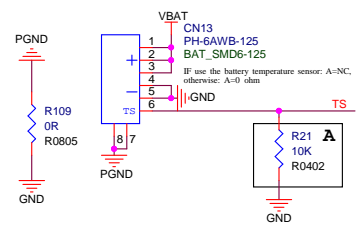
DDR3 16X1



POWER



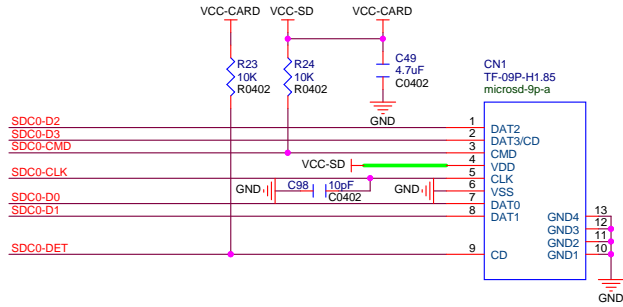
USB-DRVVBUS <<
 PMIC-SCK <<<
 PMIC-SDA <<<
 NM-I-N <<<
 RESET-N <<<



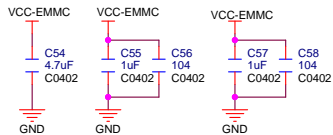
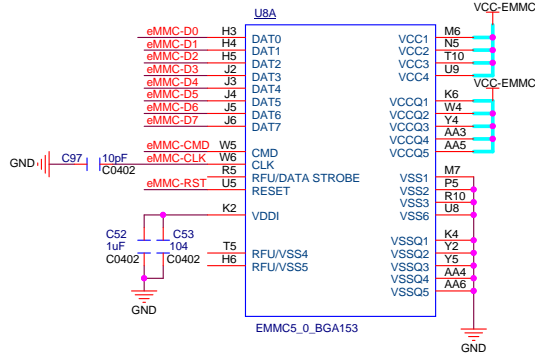
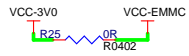
SINOVOIP CO., LIMITED		
Design Name BPi-M2M		
Size A3	Page Name POWER	
Date: Monday, August 28, 2017	Sheet 3	of 12

MSDC

SDC0-D1
SDC0-D0
SDC0-CLK
SDC0-CMD
SDC0-D3
SDC0-D2
SDC0-DET
VCC-CARD



ND-DQ7 ND-Q7 eMMC-D7
ND-DQ6 ND-Q6 eMMC-D6
ND-DQ5 ND-Q5 eMMC-D5
ND-DQ4 ND-Q4 eMMC-D4
ND-DQ3 ND-Q3 eMMC-D3
ND-DQ2 ND-Q2 eMMC-D2
ND-DQ1 ND-Q1 eMMC-D1
ND-DQ0 ND-Q0 eMMC-D0
ND-DQ3S ND-QS eMMC-RST
ND-RB0 ND-RB0 eMMC-CMD
ND-RE ND-RE eMMC-CLK



U8B			
A4	NC68	P13	
A6	NC69	P14	
A9	NC70	R1	
A11	NC71	R2	
B2	NC72	R3	
B13	NC73	R12	
D1	NC74	R13	
B14	NC75	R14	
H1	NC76	T1	
H2	NC77	T2	
H7	NC78	T3	
H8	NC79	T12	
T10	NC80	T13	
H10	NC81	T14	
H11	NC82	U1	
H12	NC83	U2	
H13	NC84	U3	
H14	NC85	U6	
J1	RFU10(NC85)	U7	
J7	RFU11(NC86)	U10	
J8	RFU12(NC87)	U12	
J9	NC88	U14	
J10	NC89	U15	
J11	NC90	V1	
J12	NC91	V2	
J13	NC92	V3	
J14	NC93	V13	
K3	NC94	V14	
K5	NC96	W1	
K7	NC97	W2	
K8	NC98	W3	
K9	NC99	W7	
K10	NC100	W8	
K11	NC101	W9	
K12	NC102	W10	
K13	NC103	W11	
K14	NC104	W12	
L1	NC105	W13	
L2	NC106	W14	
L3	NC107	Y1	
L4	NC109	Y6	
L12	NC110	Y7	
L13	NC111	Y8	
L14	NC112	Y9	
M1	NC113	Y10	
M2	NC114	Y11	
M3	NC115	Y12	
M12	NC116	Y13	
M13	NC117	Y14	
M14	NC118	AA1	
M5	NC119	AA2	
M8	RFU3(NC52)	NC120	AA7
M9	RFU4(NC53)	NC121	AA8
M10	RFU5(NC54)	NC122	AA9
N1	RFU6(NC55)	NC123	AA10
N2	NC56	NC124	AA11
N3	NC57	RFU14(NC124)	AA11
N10	NC58	NC125	AA12
N12	RFU7(NC59)	NC126	AA13
N13	NC60	NC127	AA14
N14	NC61	NC128	AA14
P1	NC62	AB1	AB14
P2	NC63	AG1	AG2
P3	NC64	RFU8(NC65)	AG13
P10	RFU9(NC66)	AH4	AH4
P12	NC67	AH6	AH6
		AH9	AH9
		AH11	AH11

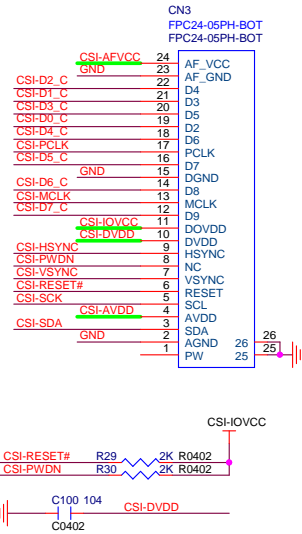
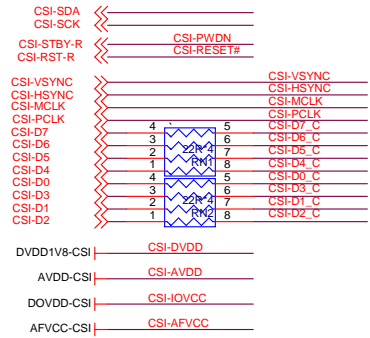
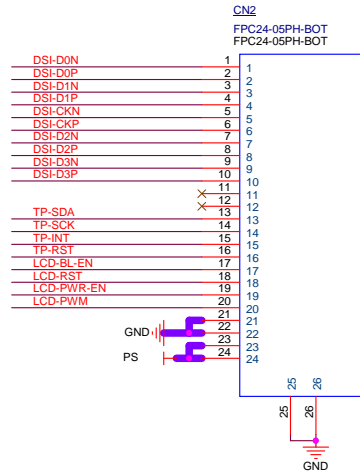
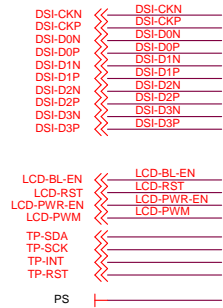
EMMC5_0_BGA153



SINOVOIP CO., LIMITED		
Design Name BPi-M2M		
Page Name MSDC		
Size A3	Page No	Rev 1.2
Date: Wednesday, August 16, 2017	Sheet 4	of 12

LCD-Camera

MIPI



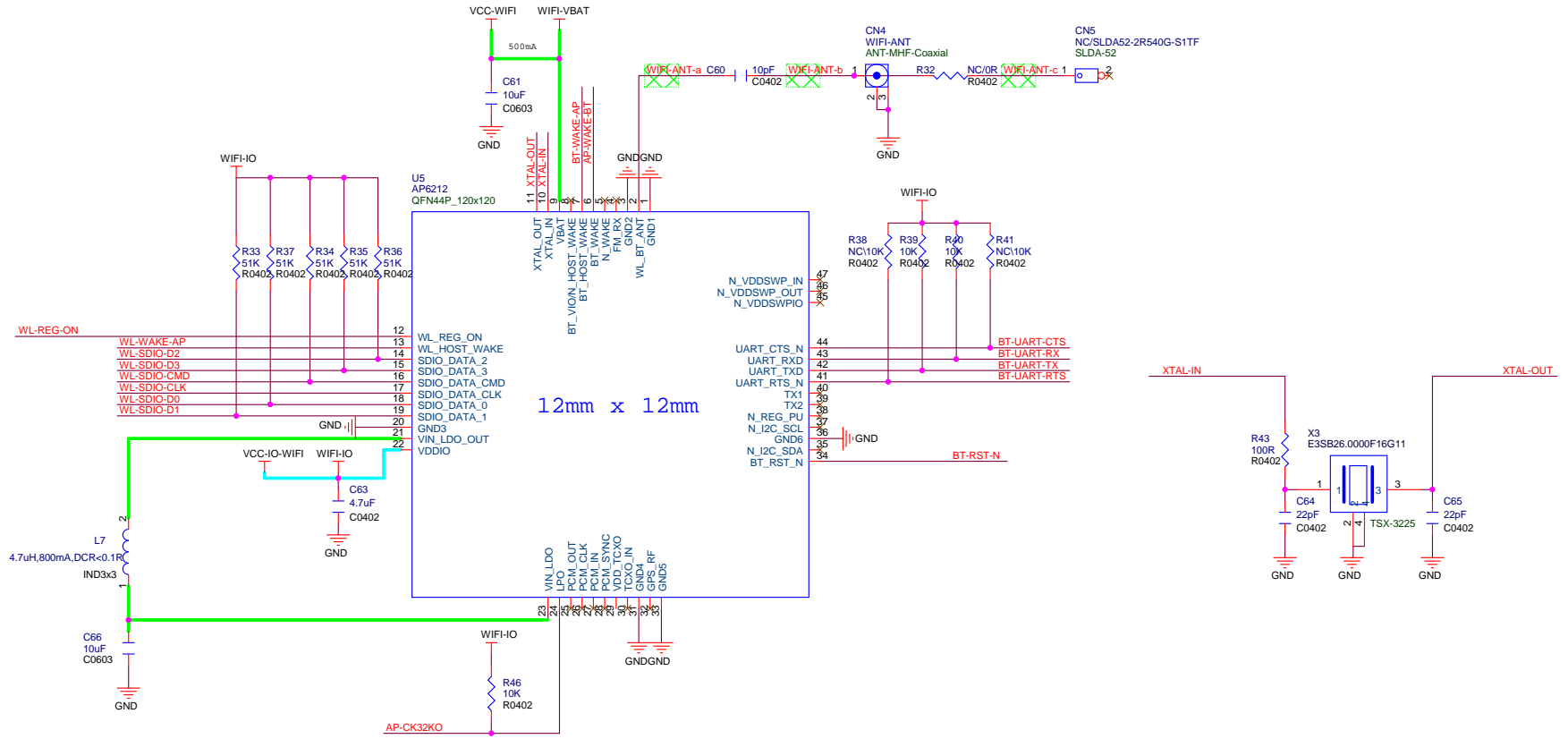
SDIO WIFI&BT

AP-UART1-CTS << BT-UART-RTS
 AP-UART1-RTS << BT-UART-CTS
 AP-UART1-RX << BT-UART-TX
 AP-UART1-TX << BT-UART-RX

WL-SDIO-D2 << WL-SDIO-D2
 WL-SDIO-D3 << WL-SDIO-D3
 WL-SDIO-CMD << WL-SDIO-CMD
 WL-SDIO-CLK << WL-SDIO-CLK
 WL-SDIO-D0 << WL-SDIO-D0
 WL-SDIO-D1 << WL-SDIO-D1

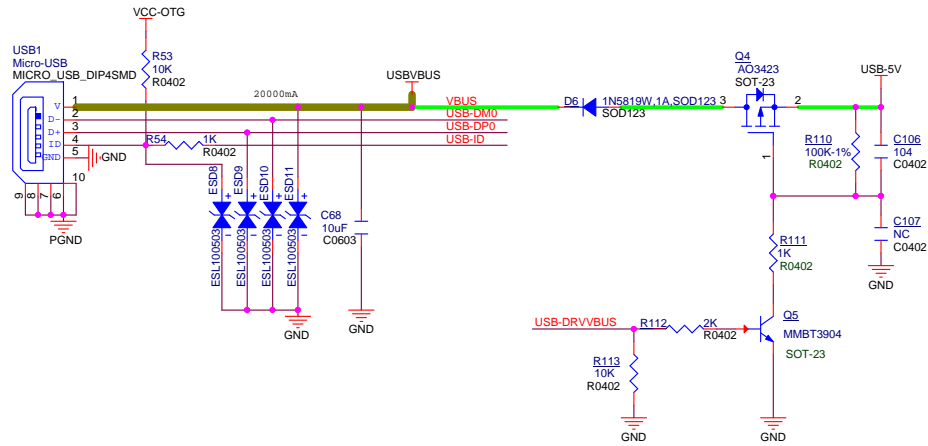
WL-PMU-EN << WL-REG-ON
 WL-WAKE-AP << WL-WAKE-AP
 BT-WAKE-AP << BT-WAKE-AP
 BT-RST-N << BT-RST-N
 AP-WAKE-BT << AP-WAKE-BT
 AP-CK32KO << AP-CK32KO

VCC-WIFI
 VCC-IO-WIFI

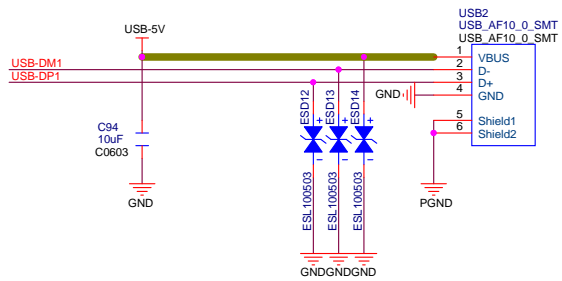


USB

USB-DP0 ↔ USB-DP0
 USB-DM0 ↔ USB-DM0
 USB-DRVVBUS ↔ USB-DRVVBUS
 USB-ID ↔ USB-ID



USB-DM1 ↔ USB-DM1
 USB-DP1 ↔ USB-DP1



AUDIO

Head Phone

