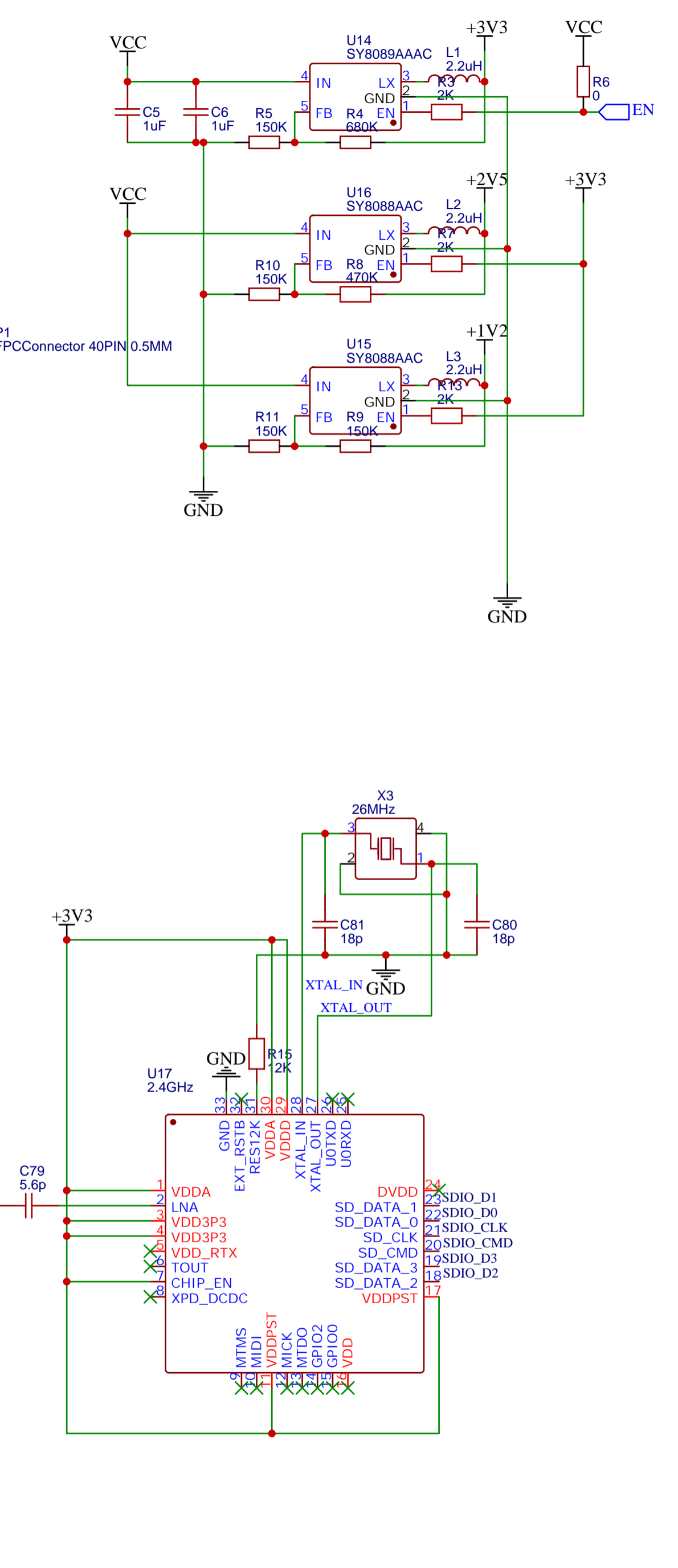
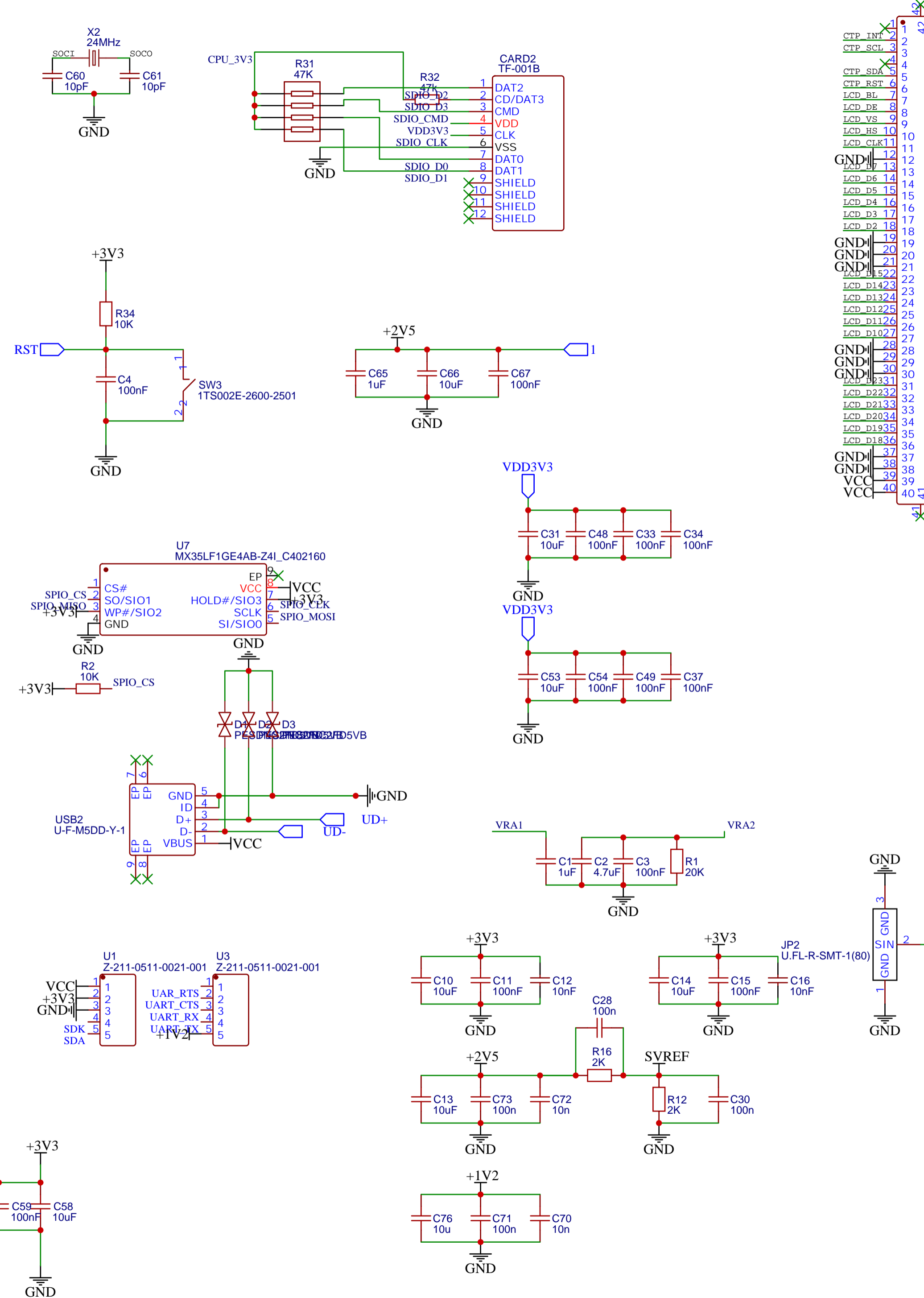


U2 F1C200S	
LCD	6 LCD_D2 7 LCD_D3 8 LCD_D4 9 LCD_D5 10 LCD_D6 11 LCD_D7 12 LCD_D10 13 LCD_D11 14 LCD_D12 15 LCD_D13 16 LCD_D14 17 LCD_D15 18 LCD_D18 19 LCD_D19 20 +3V3 21 VCC-IO 22 +1V2 23 LCD_D21 24 LCD_D22 25 LCD_D23 26 LCD_CLK 27 LCD_DE 28 LCD_HS 29 LCD_VS
DRAM	30 VCC-DRAM 31 VCC-DRAM 32 VCC-DRAM 33 SVREF 34 VCC-DRAM 35 VCC-CORE 36 VCC-DRAM
CSI	37 SDA 38 SDK 39 40 41 42 43 44 LCD_D17 45 LCD_D16 46 LCD_D9 47 LCD_D8 48 CPU_TXD 49 CPU_RXD 50 +3V3
OSC	51 SOC1 52 SOC0
EMMC	53 SDIO_D2 54 SDIO_D3 55 SDIO_CMD 56 SDIO_CLK 57 SDIO_D0 58 SDIO_D1
CARD	59 SPIO_CLK 60 SPIO_CS 61 SPIO_MISO 62 SPIO_MOSI
USB	63 UART_TX 64 UART_RX 65 UART_CTS 66 UAR_RTS
SYS	67 VCC 68 UD- 69 UD+
TV	70 RST 71 +1V2 72 TVOUT 73 +3V3 74 TV_GND 75 TV_VRN 76 TV_VRP 77 TVIN1 78 TVINO
CODEC	79 LRADC0 80 VCC 81 VRA1 82 VRA2 83 VRA2 84 FMINL 85 FMINR 86 LINEIN 87 MICIN 88 HPR 89 HP_L 90 HP_COMFB 91 HPCOM 92 HPVCC 93 VCC-IO
BOOTOM_PAD	89 GND



TITLE:	Sheet_1	REV:	1.0
Company:	Your Company	Sheet:	1/1
Date:	2020-04-11	Drawn By:	kjundada