

6 5 4 3 2 1

REVISION RECORD			
LTR	ECO NO:	APPROVED:	DATE:

D

D

C

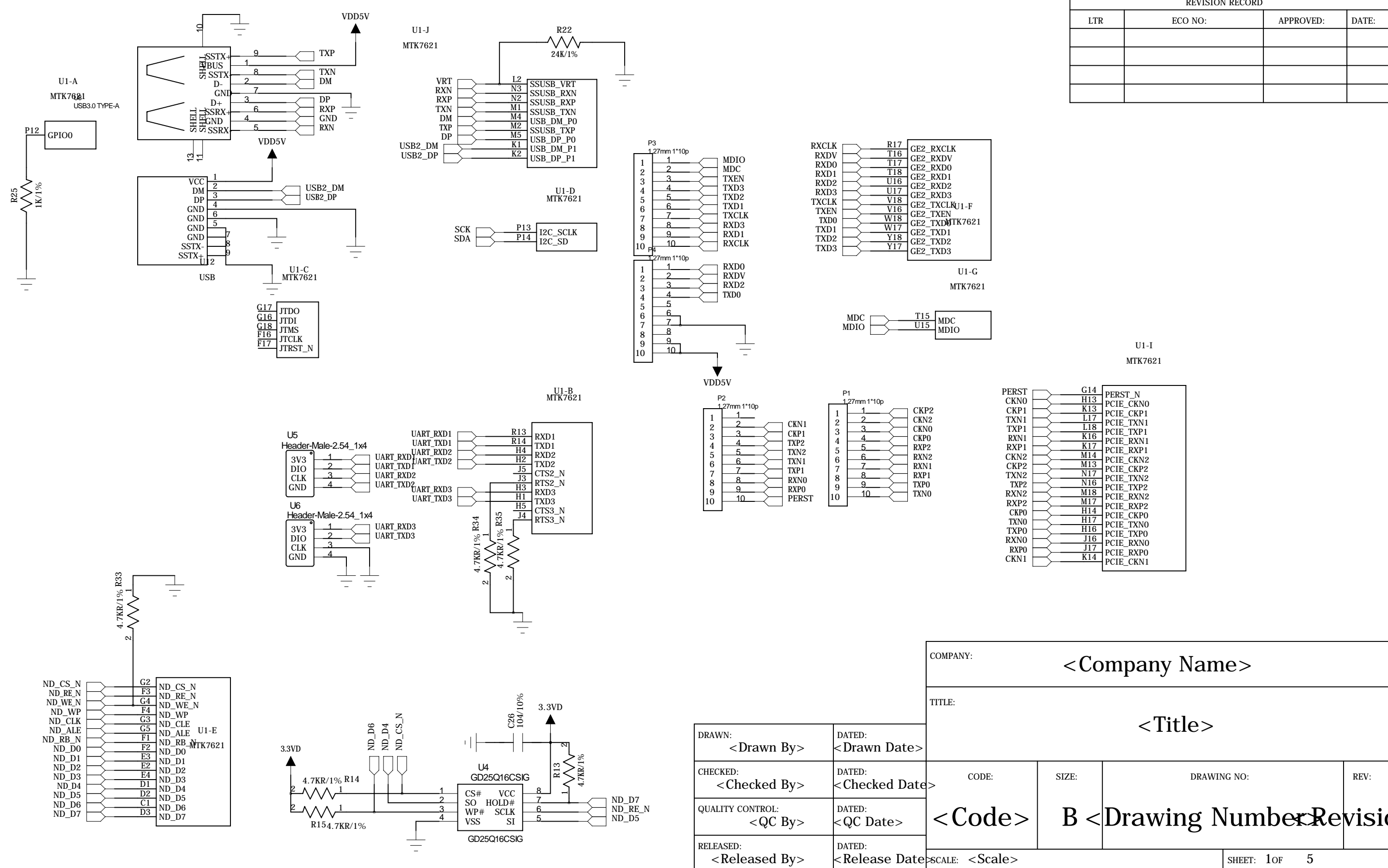
C

B

B

A

A



COMPANY: <Company Name>			
TITLE: <Title>			
DRAWN: <Drawn By>	DATED: <Drawn Date>		
CHECKED: <Checked By>	DATED: <Checked Date>	CODE: <Code>	SIZE: B
QUALITY CONTROL: <QC By>	DATED: <QC Date>	DRAWING NO: <Drawing Number>	
RELEASED: <Released By>	DATED: <Release Date>	REV: <Revision>	
SCALE: <Scale>			SHEET: 1 of 5

6

5

4

3

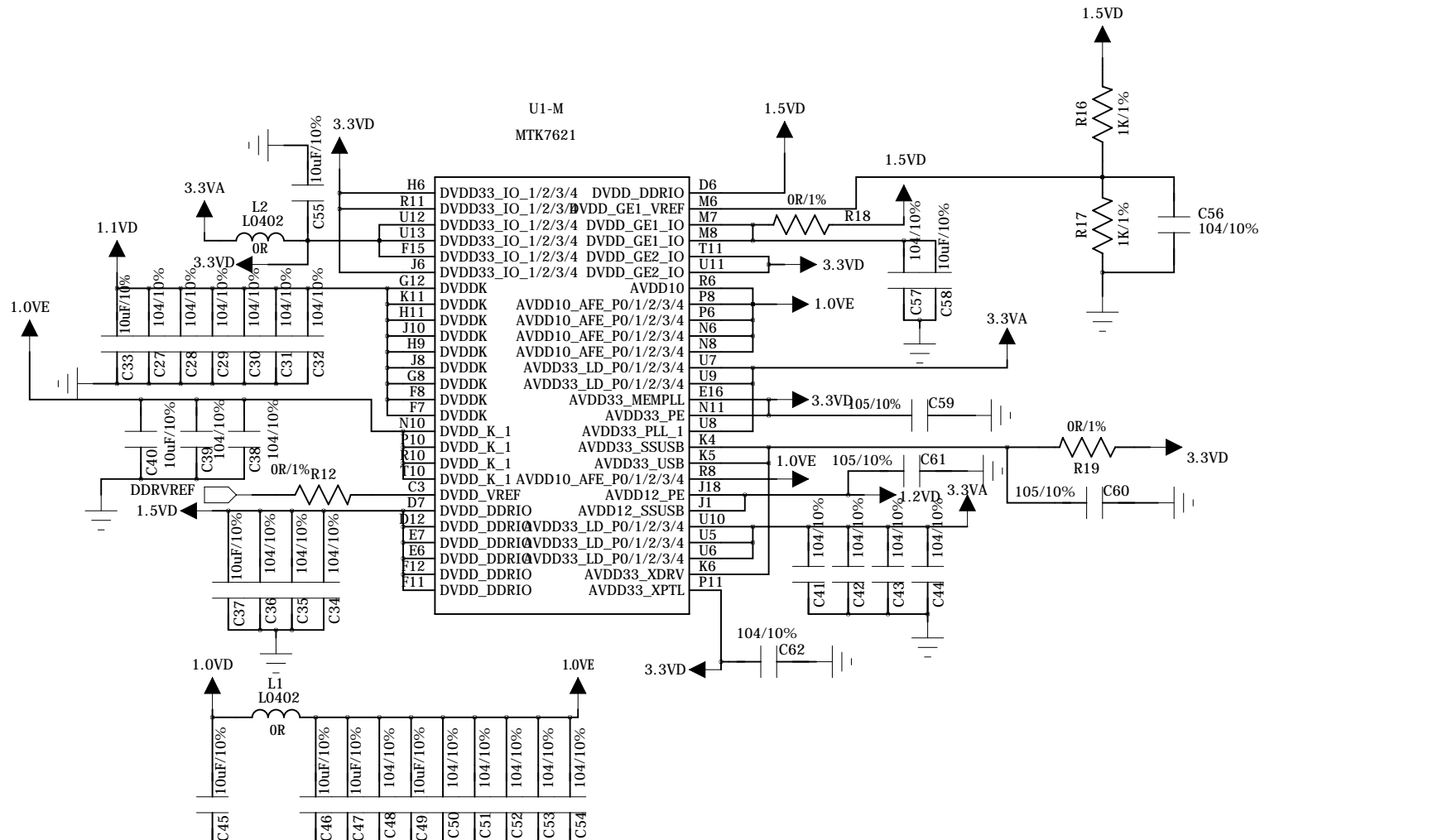
2

1

REVISION RECORD			
LTR	ECO NO:	APPROVED:	DATE:

U1-N
MTK7621

F13	AVSS33_MEM0ND	V12
W4	AVSS33_VBGGND	V13
K7	GND	V17
K8	GND	V4
K9	GND	V6
L12	GND	V9
L13	GND	W11
L14	GND	W13
L15	GND	A1
L3	GND	A18
L4	GND	A9
L5	GND	AA1
L6	GND	AA18
L7	GND	C6
L8	GND	F9
L9	GND	H10
M10	GND	F6
M11	GND	G11
M12	GND	J12
M15	GND	B11
M16	GND	D5
M9	GND	F10
M3	GND	C6
N12	GND	H7
N13	GND	J7
N14	GND	K3
N15	GND	AA8
N4	GND	D4
N5	GND	E9
P1	GND	G13
P15	GND	H15
P16	GND	J14
P2	GND	J2
P3	GND	K15
P4	GND	C4
P5	GND	E10
P7	GND	F5
P9	GND	G9
R1	GND	J11
R15	GND	K10
R16	GND	F14
R4	GND	AA6
R7	GND	D10
R9	GND	E8
T14	GND	G10
T6	GND	H12
T7	GND	J13
T8	GND	J15
T9	GND	K12
U14	GND	C13
U3	GND	D8
V11	GND	E12
H8	GND	G7
J9	GND	



COMPANY: <Company Name>

TITLE: <Title>

DRAWN: <Drawn By>	DATED: <Drawn Date>
CHECKED: <Checked By>	DATED: <Checked Date>
QUALITY CONTROL: <QC By>	DATED: <QC Date>
RELEASED: <Released By>	DATED: <Release Date>

CODE:	SIZE:	DRAWING NO:	REV:
<Code>	B	<Drawing Number>	<Revision>
SCALE: <Scale>		SHEET: 3of 5	

D

D

C

C

B

B

A

A

6

5

4

3

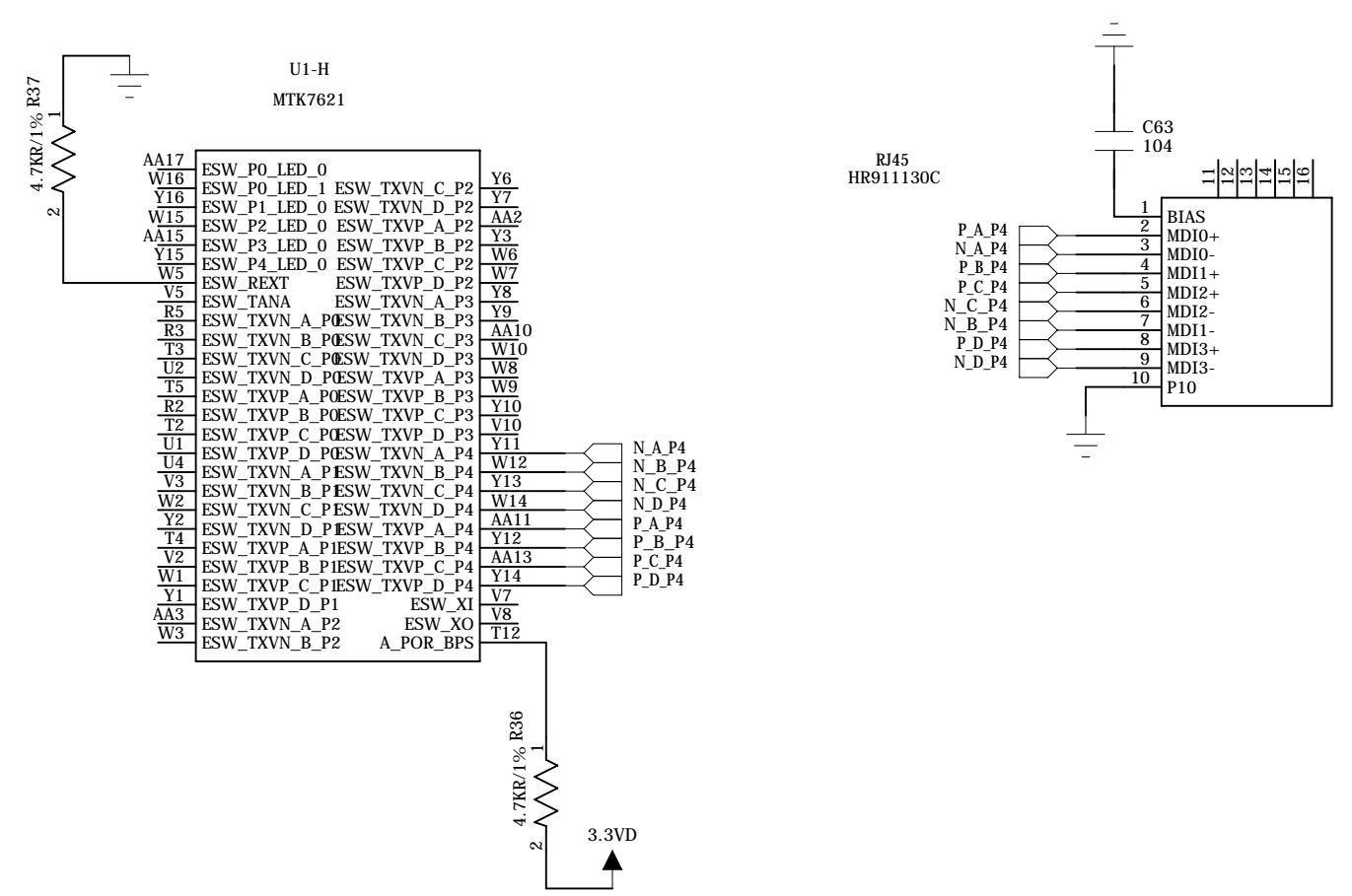
2

1

REVISION RECORD			
LTR	ECO NO:	APPROVED:	DATE:

D

D



C

C

B

B

A

A

COMPANY: <Company Name>

TITLE: <Title>

DRAWN: <Drawn By>	DATED: <Drawn Date>
CHECKED: <Checked By>	DATED: <Checked Date>
QUALITY CONTROL: <QC By>	DATED: <QC Date>
RELEASED: <Released By>	DATED: <Release Date>

CODE:	SIZE:	DRAWING NO:	REV:
<Code>	B	<Drawing Number>	<Revision>
SCALE: <Scale>		SHEET: 4 OF 5	

6

5

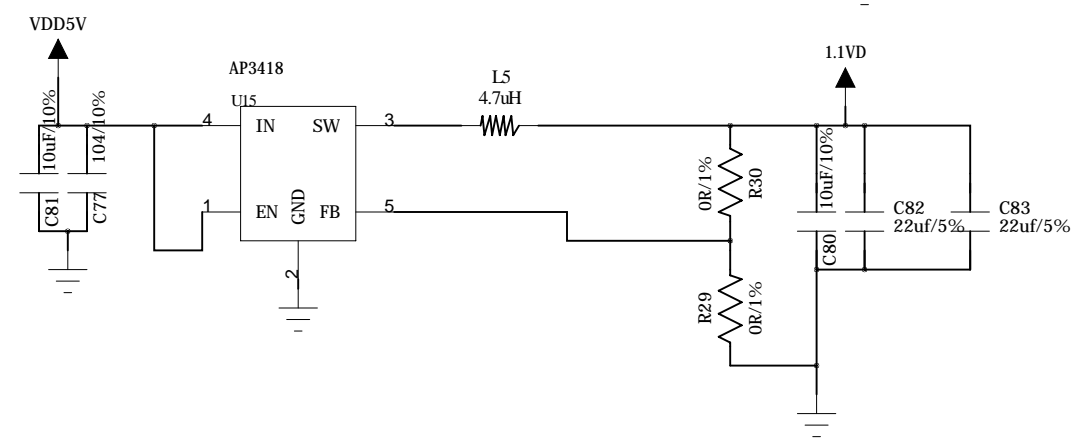
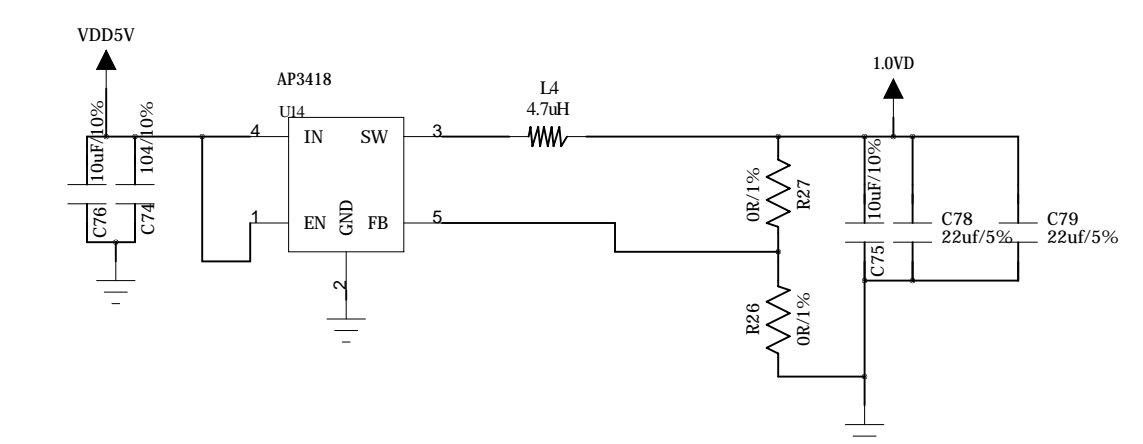
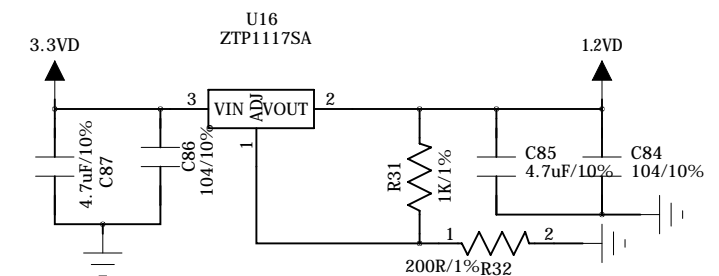
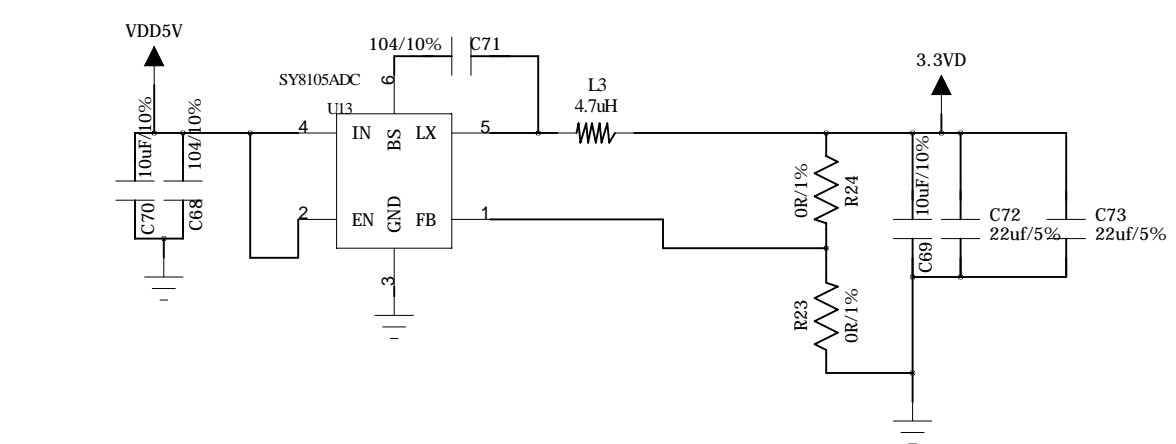
4

3

2

1

REVISION RECORD			
LTR	ECO NO:	APPROVED:	DATE:



COMPANY: <Company Name>

TITLE: <Title>

DRAWN: <Drawn By>	DATED: <Drawn Date>
CHECKED: <Checked By>	DATED: <Checked Date>
QUALITY CONTROL: <QC By>	DATED: <QC Date>
RELEASED: <Released By>	DATED: <Release Date>

CODE:	SIZE:	DRAWING NO:	REV:
<Code>	B	<Drawing Number>	<Revision>
SCALE: <Scale>		SHEET: 5 OF 5	

D

D

C

C

B

B

A

A