

# GPIO ASSIGNMENT

PIN	Define	CFG	Function
PA0	UART0_TX	5	UPGRADE
PA1	UART0_RX	5	
PA2	UART1-TX	5	DEBUG
PA3	UART1-RX	5	
PA4	CAN0-TX	4	CAN
PA5	CAN0-RX	4	
PA8	RTP-XP-SCL	2/4	RTP/CTP
PA9	RTP-YP-SDA	2/4	
PA10	RTP-XN-RST	2/1	
PA11	RTP-YN-INT	2/1	

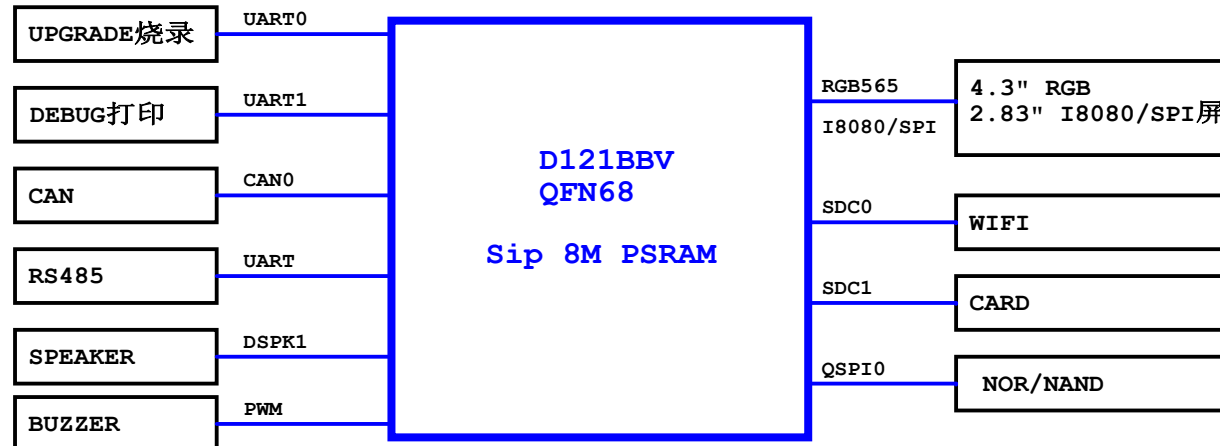
PIN	Define	CFG	Function
PB0	SPI0-WP	2	NOR/ NAND
PB1	SPI0-MISO	2	
PB2	SPI0-CS	2	
PB3	SPI0-HOLD	2	
PB4	SPI0-CLK	2	
PB5	SPI0-MOSI	2	WIFI
PB6	SDC0-CMD	2	
PB7	SDC0-CLK	2	
PB8	SDC0-D3	2	
PB9	SDC0-D0	2	
PB10	SDC0-D1	2	
PB11	SDC0-D2	2	

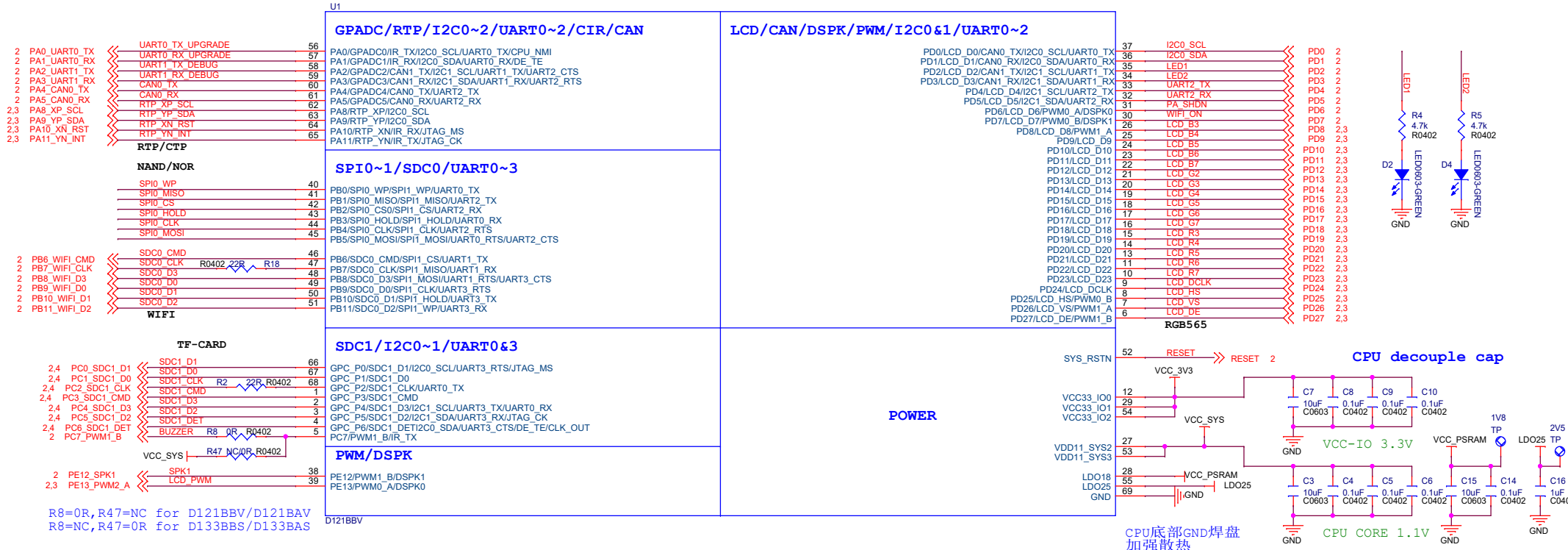
PIN	Define	Define	CFG	Function
PD0		I2C0_SCL	4	I2C0
PD1		I2C0_SDA	4	
PD2		LED1	1	LED
PD3		LED2	1	
PD4		UART2_TX	5	RS485
PD5		UART2_RX	5	
PD6		PA_SHDN	1	SPEAKER
PD7		WIFI_ON	1	WIFI
PD8	LCD0-B3		2	RGB565
PD9	LCD0-B4		2	
PD10	LCD0-B5		2	
PD11	LCD0-B6		2	
PD12	LCD0-B7		2	
PD13	LCD0-G2		2	
PD14	LCD0-G3		2	
PD15	LCD0-G4		2	
PD16	LCD0-G5		2	
PD17	LCD0-G6		2	
PD18	LCD0-G7		2	
PD19	LCD0-R3		2	
PD20	LCD0-R4		2	
PD21	LCD0-R5		2	
PD22	LCD0-R6		2	
PD23	LCD0-R7		2	
PD24	LCD0-DCLK		2	
PD25	LCD0-HS		2	
PD26	LCD0-VS		2	
PD27	LCD0-DE		2	

PIN	Define	CFG	Function
PE12	DSPK1	5	SPEAKER
PE13	PWM0_A	3	LCD_PWM

PIN	Define	CFG	Function
PC0	SDC1-D1	2	CARD
PC1	SDC1-D0	2	
PC2	SDC1-CLK	2	
PC3	SDC1-CMD	2	
PC4	SDC1-D3	2	
PC5	SDC1-D2	2	
PC6	SDC1-DET	2	BUZZER
PC7	PWM1_B	3	

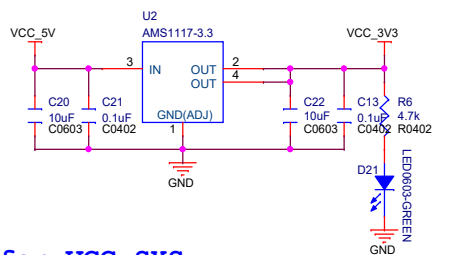
Ver.	Change list	Date
V1.0	Initial Version	2023.11.29



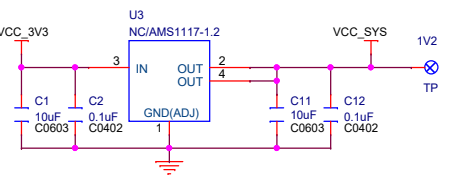


R8=0R, R47=NC for D121BBV/D121BAV  
R8=NC, R47=0R for D133BBS/D133BAS

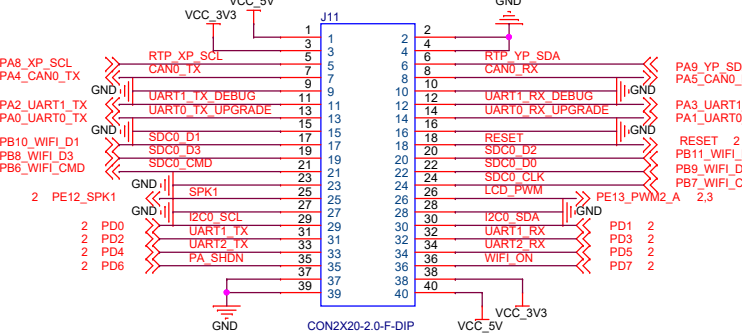
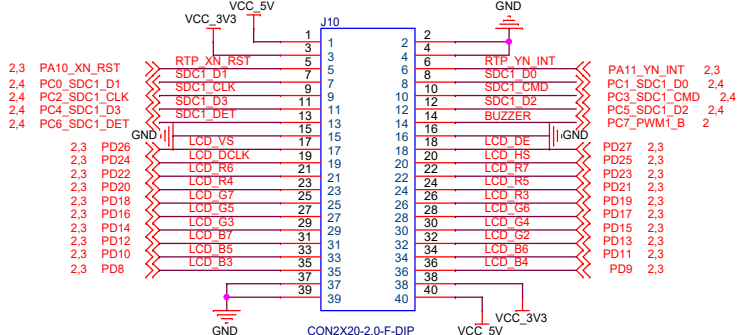
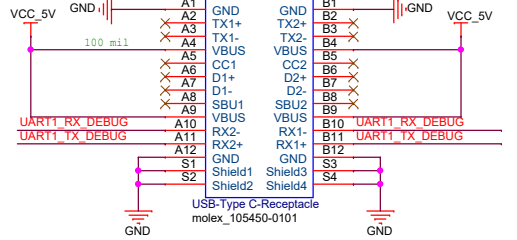
### 3.3V for VCC-IO



### 1.1V for VCC-SYS



### 5V IN



**ArtInChip Technology Co., Ltd**

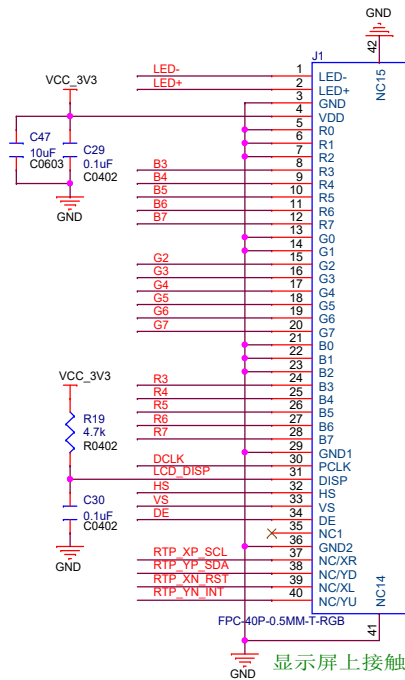
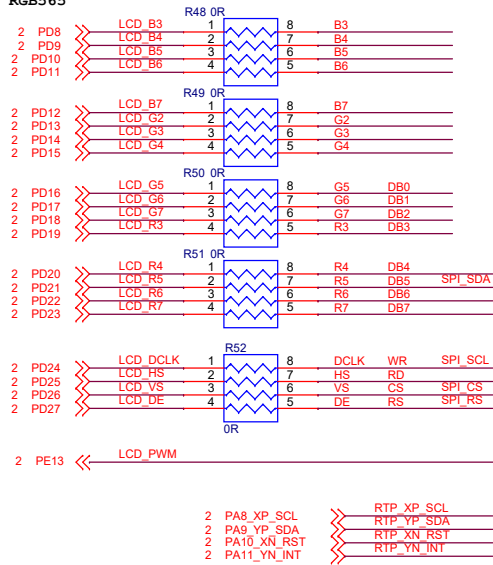
Design Name: **ArtInChip HMI Board**

Size: A3 Page Name: **CPU Core** Rev: V1.0

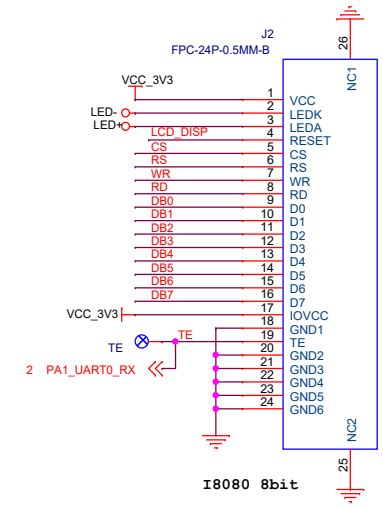
Date: 2024-01-03 Sheet: 2 of 4

### 4.3" RGB565

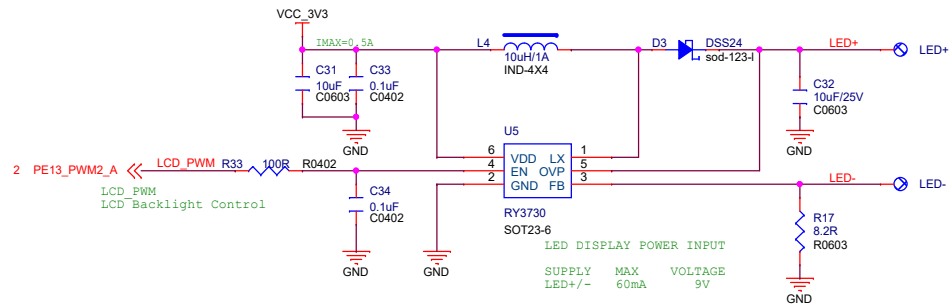
RGB565



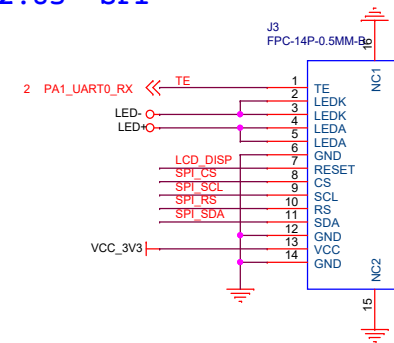
### 2.83" I8080



### BACKLIGHT



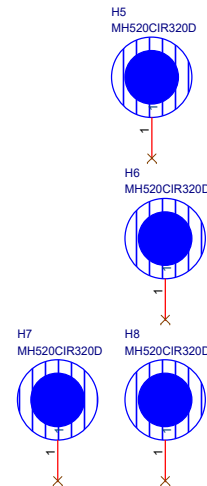
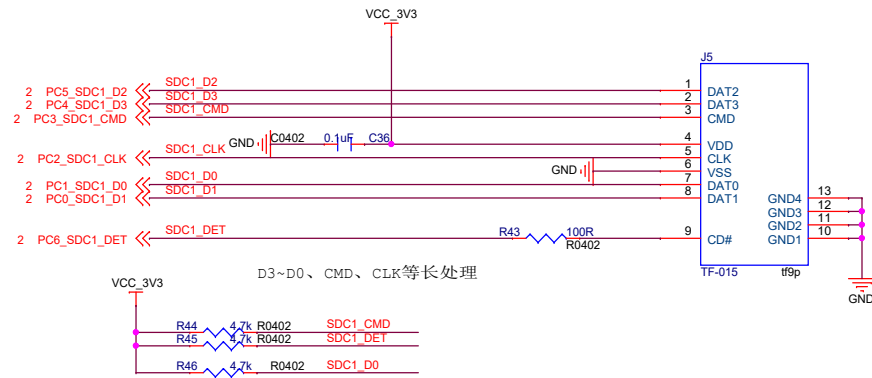
### 2.83" SPI




<Variant Name>

		<b>ArtInChip Technology Co., Ltd</b>	
		Design Name <b>ArtInChip HMI Board</b>	
Size A3	Page Name RGB/I8080/SPI	Rev V1.0	
Date: 2023-12-19		Sheet 3 of 4	

### TF-CARD



<Variant Name>

	<b>ArtInChip Technology Co., Ltd</b>		
	Design Name <b>ArtInChip HMI Board</b>		
Size <b>A3</b>	Page Name <b>CARD</b>		Rev <b>V1.0</b>
Date: <b>2023-12-19</b>		Sheet <b>4</b> of <b>4</b>	