

GPIO ASSIGNMENT

PIN	Define	CFG	Function
PA0	UART0_TX	5	烧录
PA1	UART0_RX	5	
PA2	UART1_TX	5	打印
PA3	UART1_RX	5	
PA4	CAN0_TX	4	CAN0
PA5	CAN0_RX	4	
PA8	RTP-XP-SCL	2/4	RTP/CTP
PA9	RTP-YP-SDA	2/4	
PA10	RTP-XN-RST	2/1	
PA11	RTP-YN-INT	2/1	

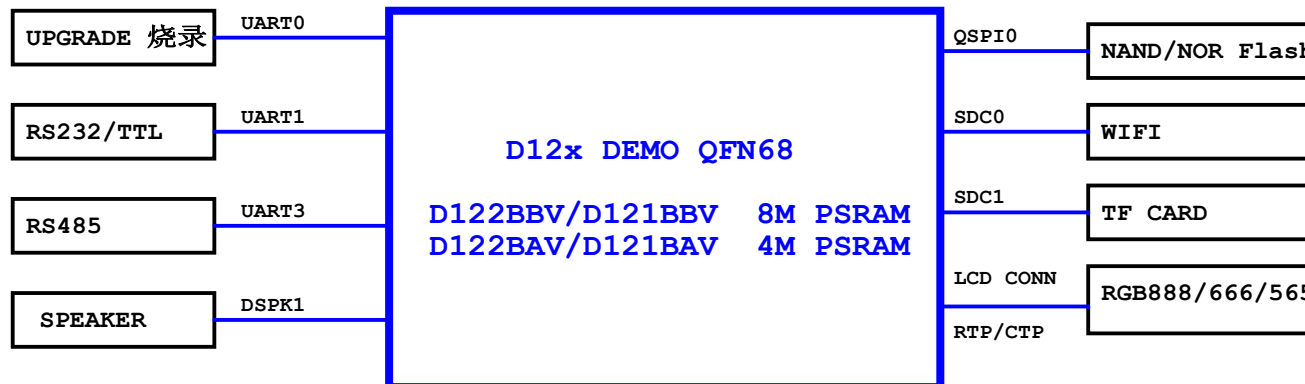
PIN	Define	CFG	Function
PB0	SPI0-WP	2	NOR/ NAND
PB1	SPI0-MISO	2	
PB2	SPI0-CS	2	
PB3	SPI0-HOLD	2	
PB4	SPI0-CLK	2	
PB5	SPI0-MOSI	2	WIFI
PB6	SDC0-CMD	2	
PB7	SDC0-CLK	2	
PB8	SDC0-D3	2	
PB9	SDC0-D0	2	
PB10	SDC0-D1	2	
PB11	SDC0-D2	2	

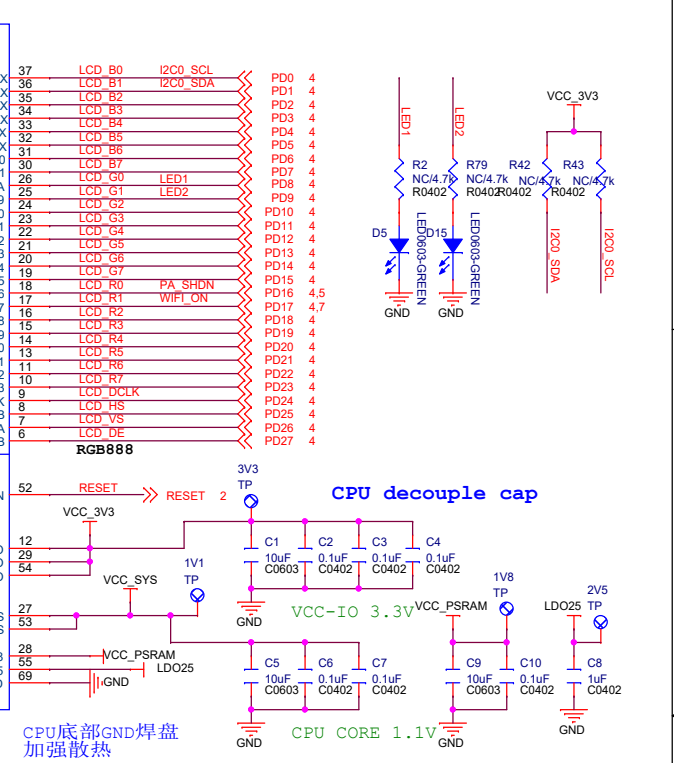
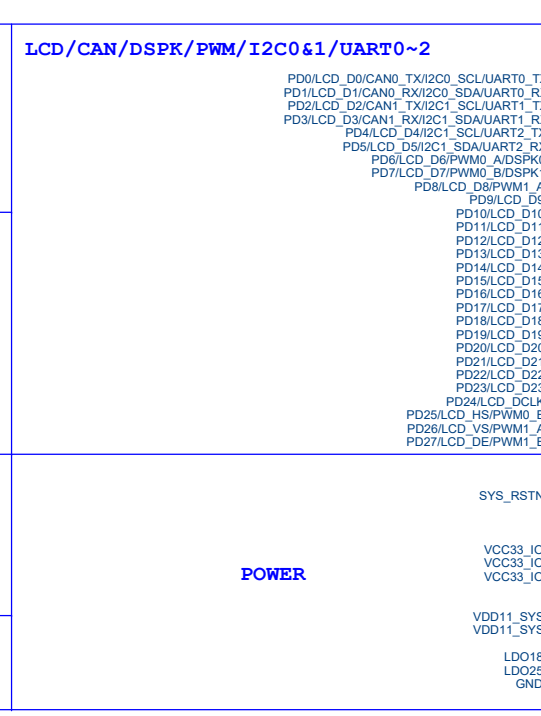
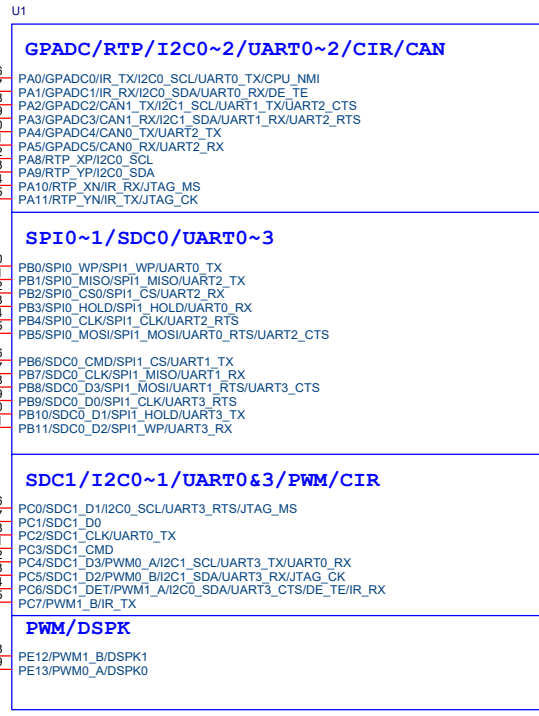
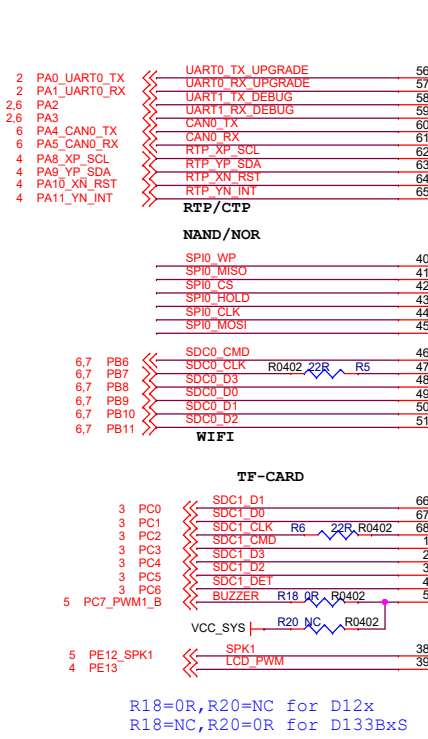
PIN	Define	Define	CFG	Function
PD0	LCD0-B0	I2C0_SCL	2	RGB888 RGB666 RGB565
PD1	LCD0-B1	I2C0_SDA	2	
PD2	LCD0-B2		2	
PD3	LCD0-B3		2	
PD4	LCD0-B4		2	
PD5	LCD0-B5		2	
PD6	LCD0-B6		2	
PD7	LCD0-B7		2	
PD8	LCD0-G0	LED1	2	
PD9	LCD0-G1	LED2	2	
PD10	LCD0-G2		2	
PD11	LCD0-G3		2	
PD12	LCD0-G4		2	
PD13	LCD0-G5		2	
PD14	LCD0-G6		2	
PD15	LCD0-G7		2	
PD16	LCD0-R0	PA_SHDN	2	
PD17	LCD0-R1	WIFI_ON	2	
PD18	LCD0-R2		2	
PD19	LCD0-R3		2	
PD20	LCD0-R4		2	
PD21	LCD0-R5		2	
PD22	LCD0-R6		2	
PD23	LCD0-R7		2	
PD24	LCD0-DCLK		2	
PD25	LCD0-HS		2	
PD26	LCD0-VS		2	
PD27	LCD0-DE		2	

PIN	Define	CFG	Function
PE12	DSPK1	2	SPEAKER
PE13	LCD_PWM	3	PWM0_A

PIN	Define	CFG	Function
PC0	SDC1-D1	2	TF CARD
PC1	SDC1-D0	2	
PC2	SDC1-CLK	2	
PC3	SDC1-CMD	2	
PC4	SDC1-D3	2	
PC5	SDC1-D2	2	
PC6	SDC1-DET	2	BUZZER
PC7	PWM1_B	3	

Ver.	Change list	Date
V1.0	Initial Version	2024.01.16

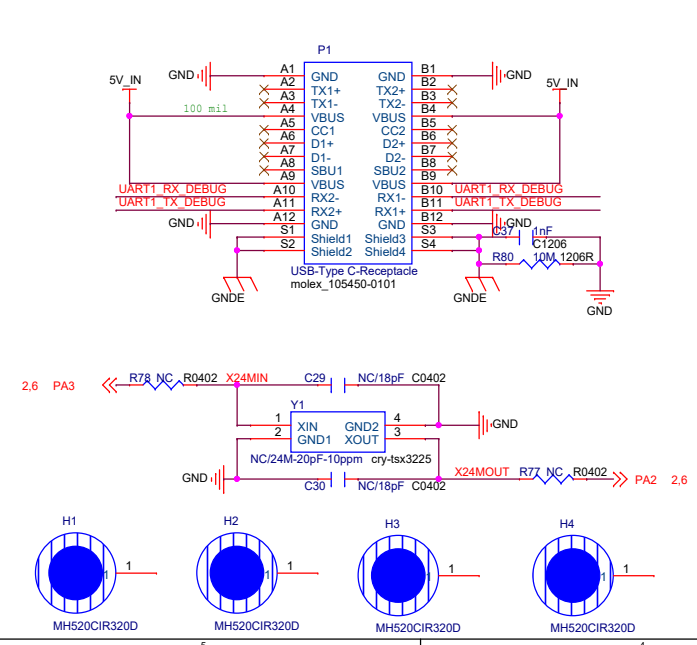




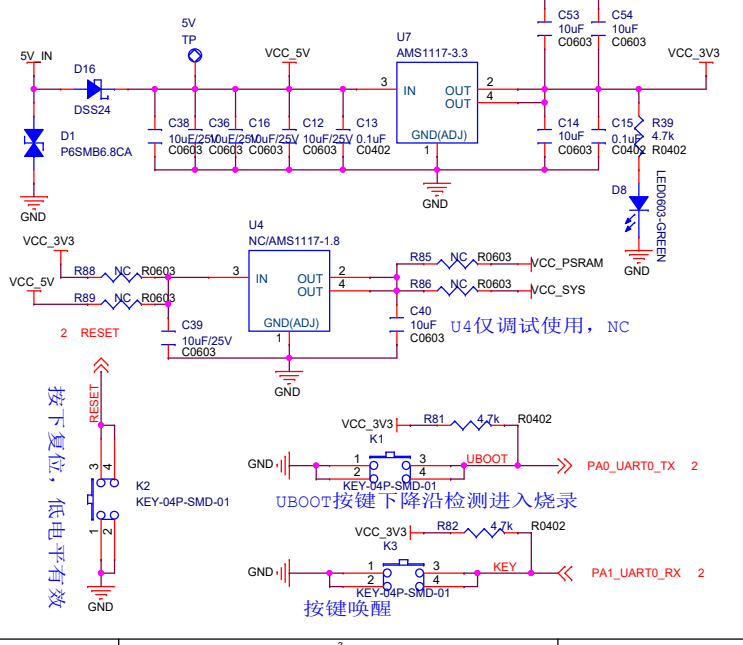
R18=0R, R20=NC for D12x
 R18=NC, R20=0R for D133Bxs

D1228BV

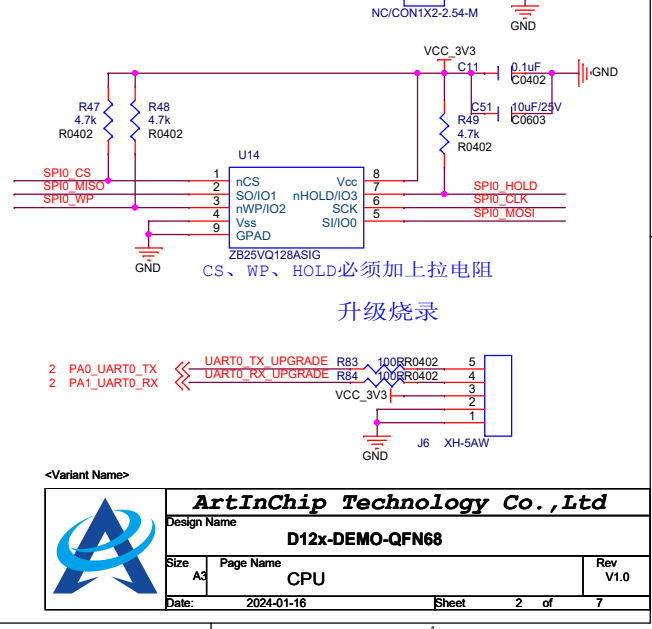
5V IN

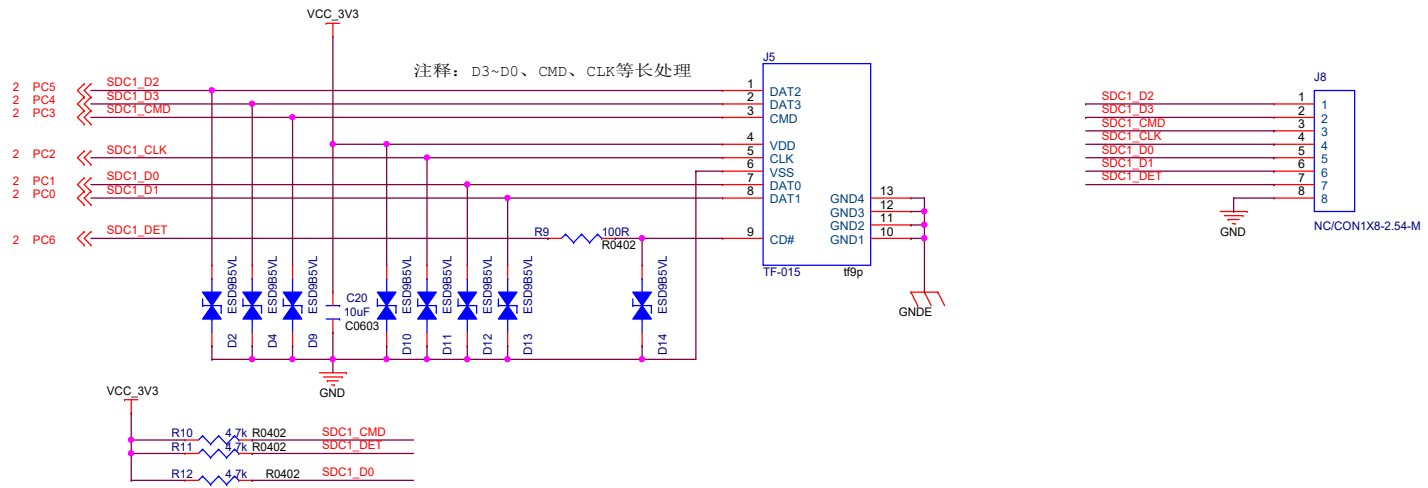


5V to 3.3V




QSPI NOR/NAND

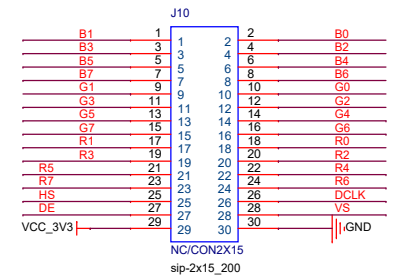
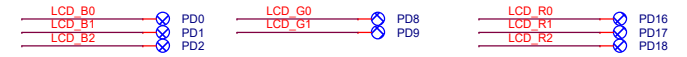
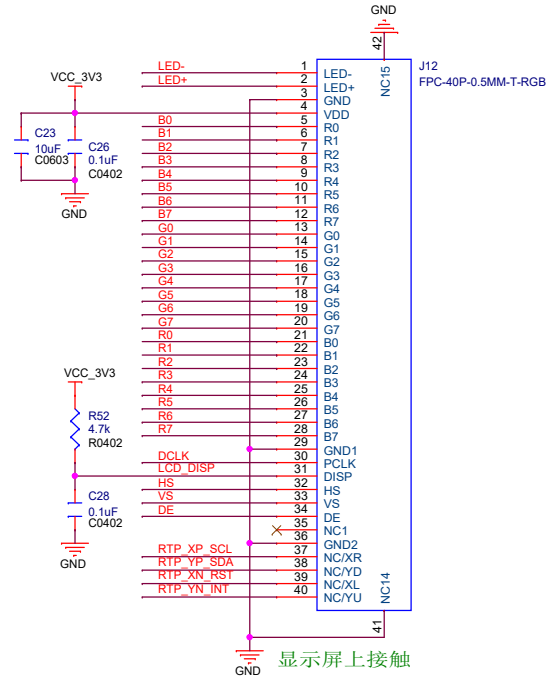
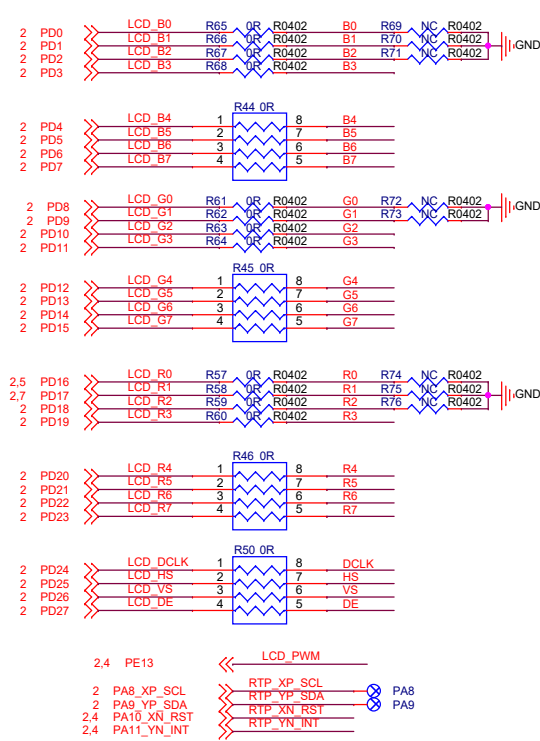




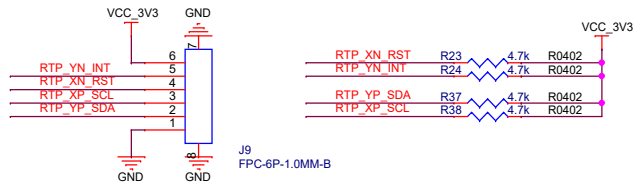
<Variant Name>

		ArtInChip Technology Co., Ltd	
		Design Name D12x-DEMO-QFN68	
Size A3	Page Name CARD	Rev V1.0	
Date: 2024-01-16	Sheet 3	of 3	7

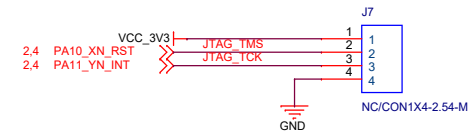
RGB



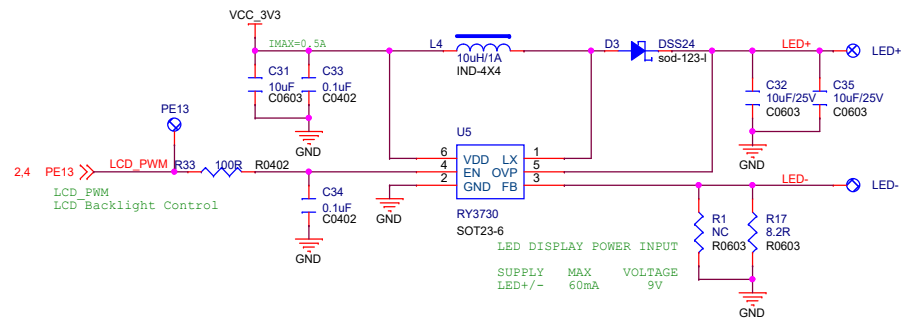
CTP



JTAG (Option)



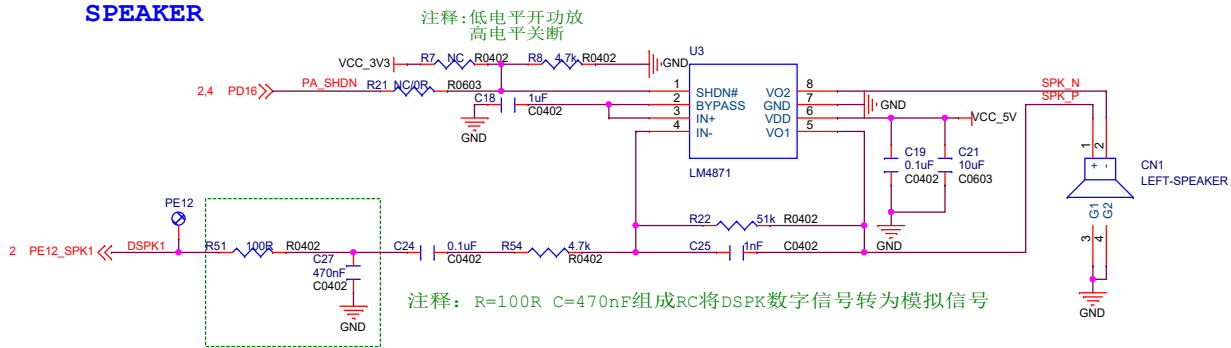
BACKLIGHT



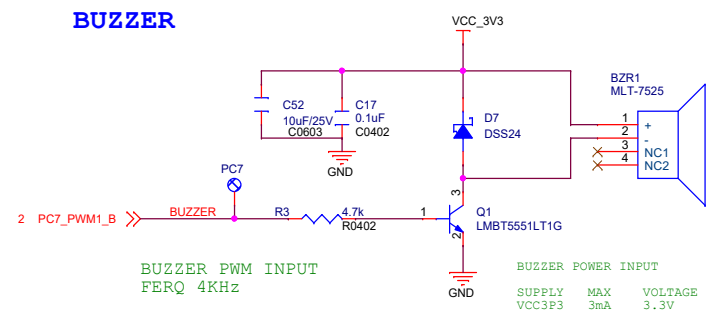
<Variant Name>

ArtInChip Technology Co., Ltd		
Design Name		D12x-DEMO-QFN68
Size	Page Name	Rev
A3	RGB/TP	V1.0
Date:	2024-01-16	Sheet 4 of 7


SPEAKER



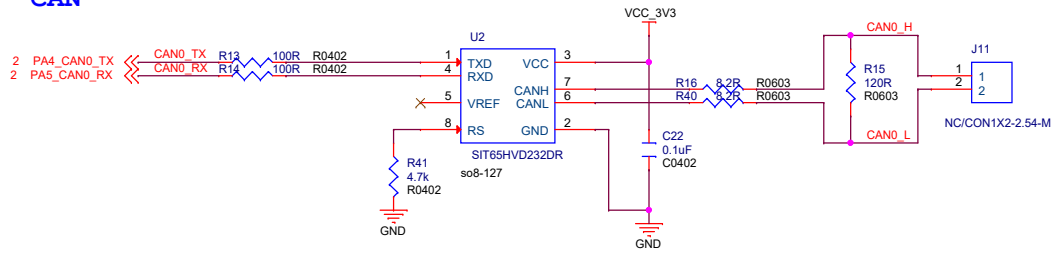
BUZZER



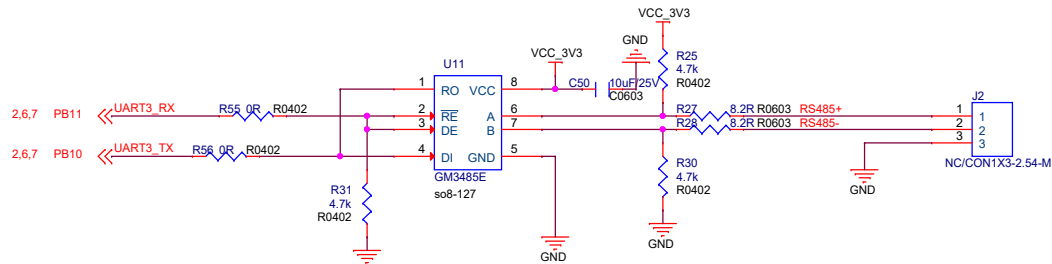
<Variant Name>

		ArtInChip Technology Co., Ltd	
		Design Name D12x-DEMO-QFN68	
Size A3	Page Name WIFI/SPEAKER	Rev V1.0	
Date: 2024-01-16	Sheet 5	of 7	

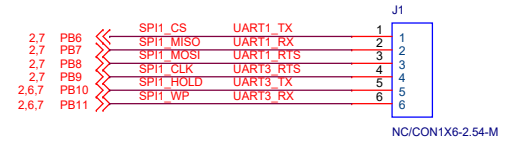
CAN



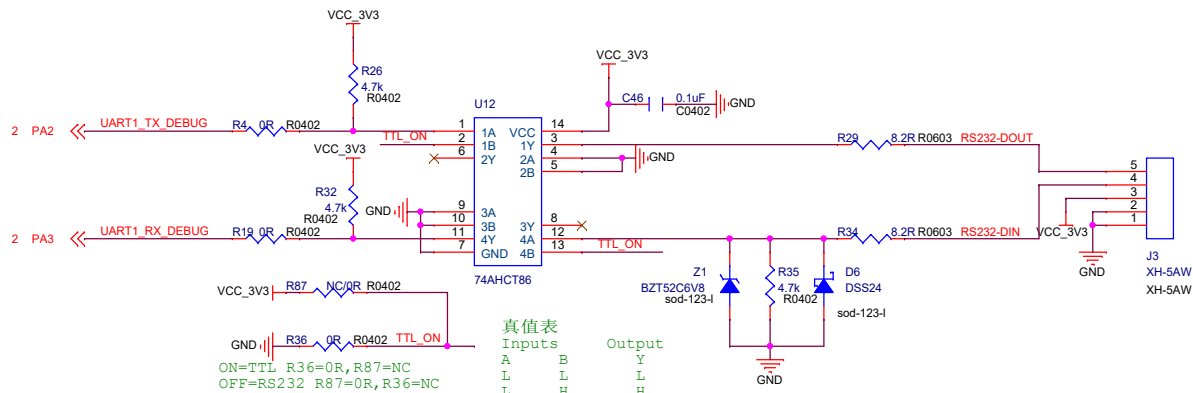
RS485 UART3




RS485 两线制模式接法，可节省1个PIN，自动控制收发
半双工：Tx管脚既当发送又当接收；Rx管脚自动控制收发方向



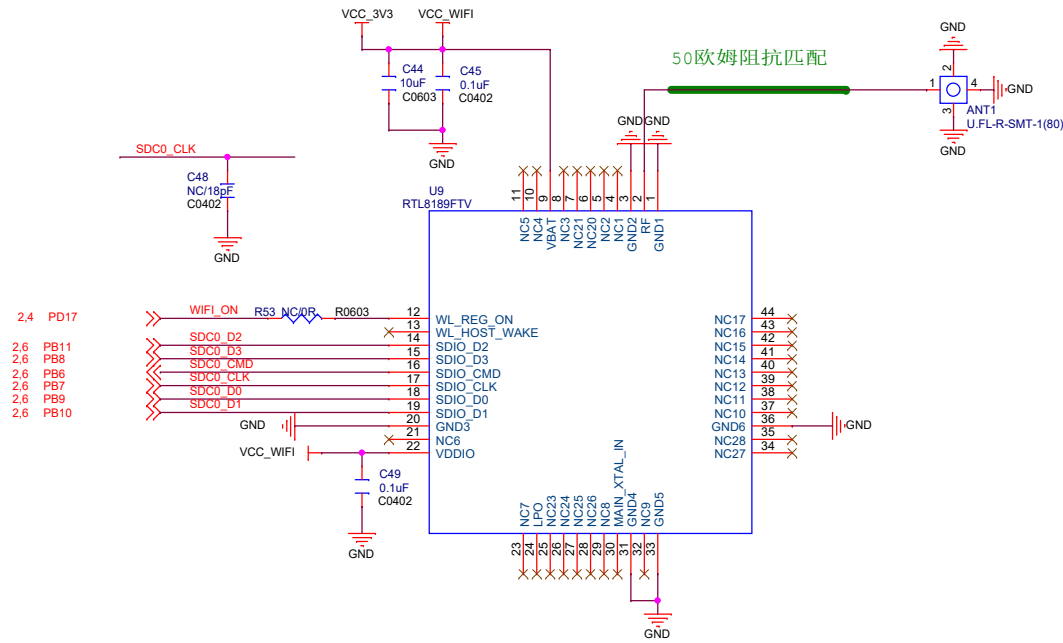
RS232/TTL UART1 DEBUG




<Variant Name>

		ArtInChip Technology Co., Ltd	
		Design Name	D12x-DEMO-QFN68
Size	A3	Page Name	UART
Date:	2024-01-16	Sheet	6 of 7
		Rev	V1.0

WIFI



<Variant Name>

			ArtInChip Technology Co., Ltd	
			Design Name D12x-DEMO-QFN68	
Size A3	Page Name WIFI		Rev V1.0	
Date: 2024-01-16	Sheet 7 of 7		Date: 2024-01-16	