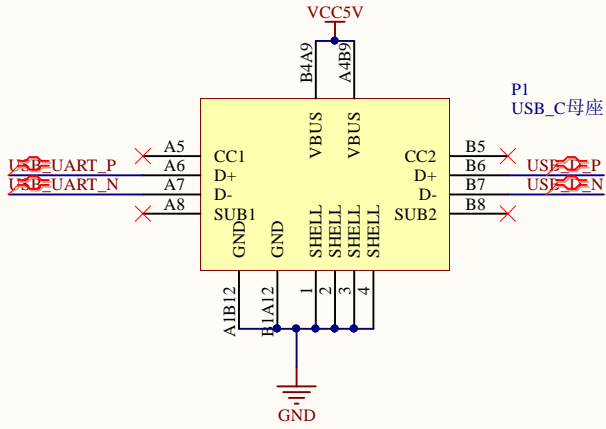
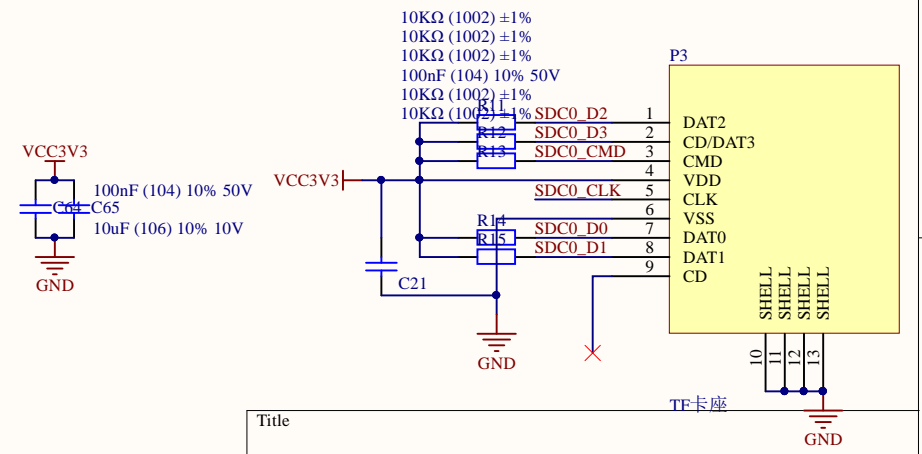
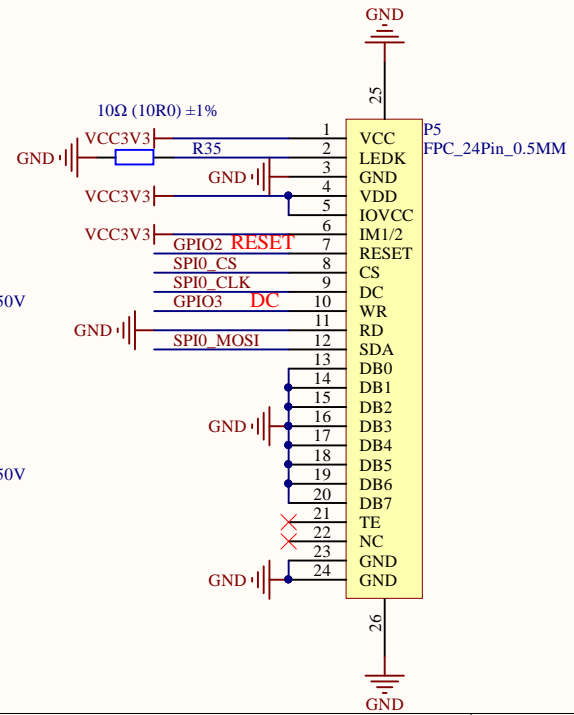
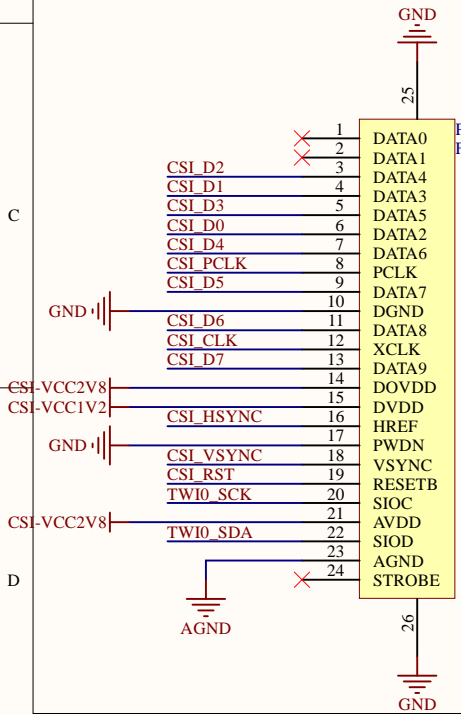
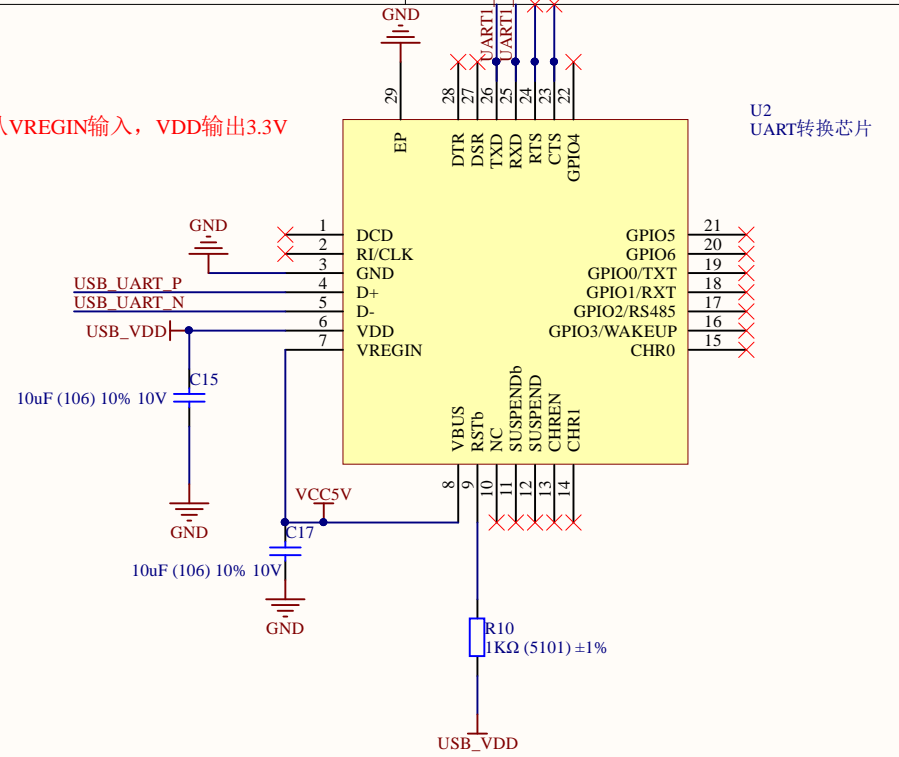


VCC3V3由PMIC转过来的电压源
 VCC_DRAM由PMIC转过来的电压源,值为2.5V
 VCC_CORE由PMIC转过来的电压源,值为1.2V,负责CPU核心供电
 AVCC由LDO转过来的电压源,值为3V,负责给模拟接口供电
 AVDD2V8由LDO转过来的电压源,值为3.8V,负责给摄像头供电
 VCC_TV

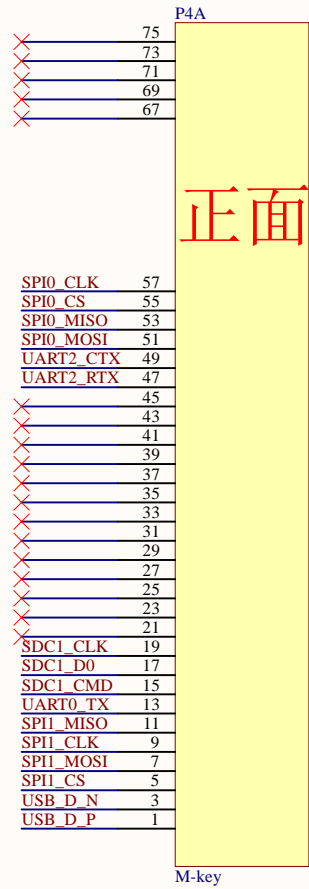
Title		
Size	Number	Revision
A4		
Date:	2020/11/24	Sheet of
File:	D:\Project\...\Link_Core.SchDoc	Drawn By:



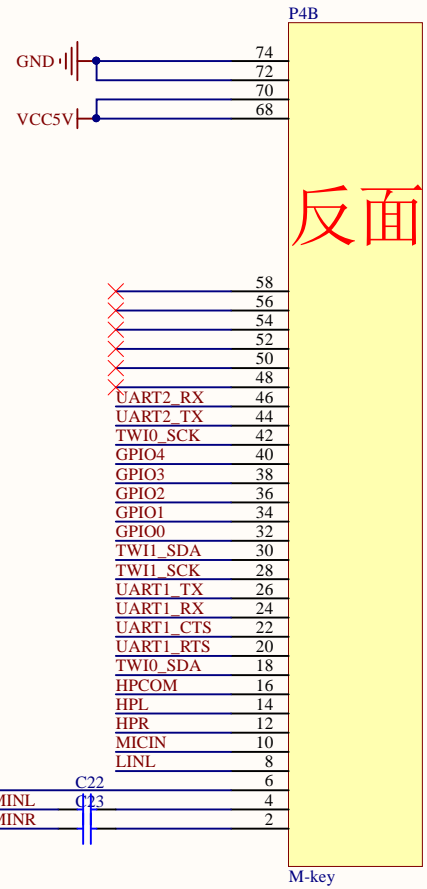
CP2102N自带LDO, 5V从VREGIN输入, VDD输出3.3V



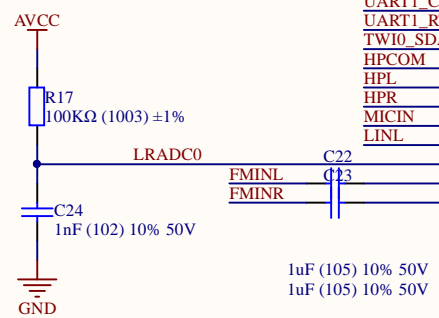
Title		
Size	Number	Revision
A4		
Date:	2020/11/24	Sheet of
File:	D:\Project\...\Link_Inter.SchDoc	Drawn By:



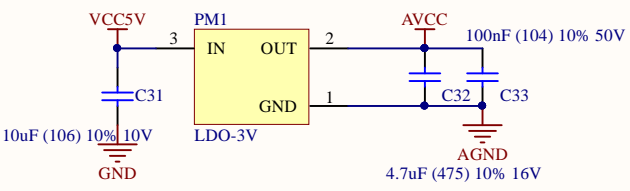
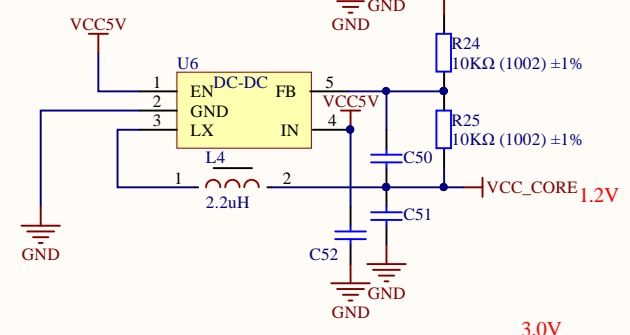
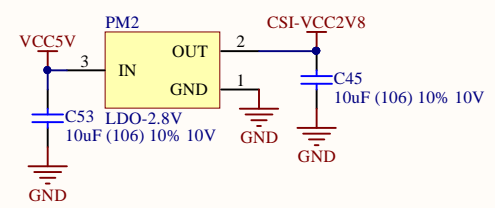
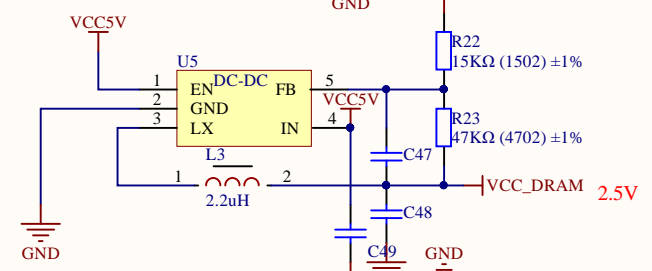
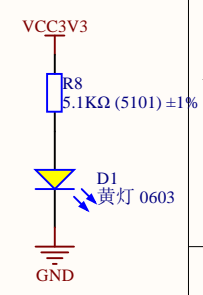
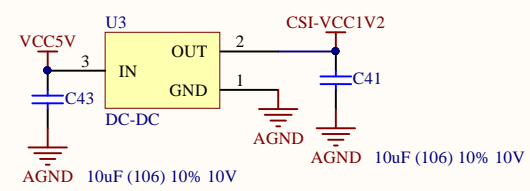
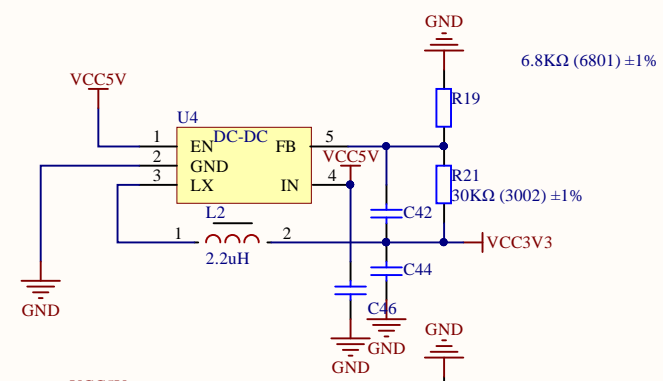
正面



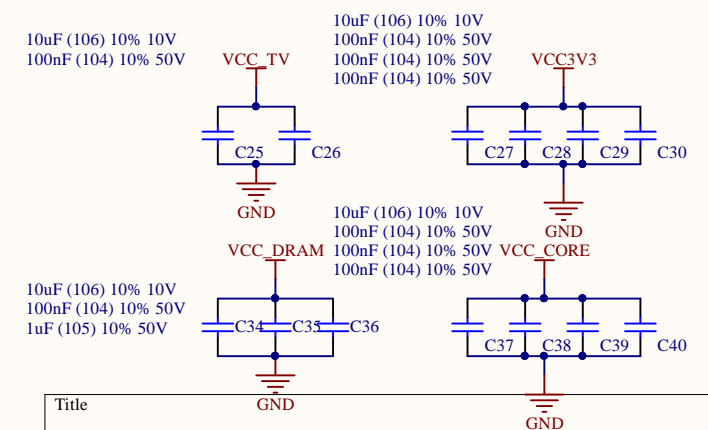
反面



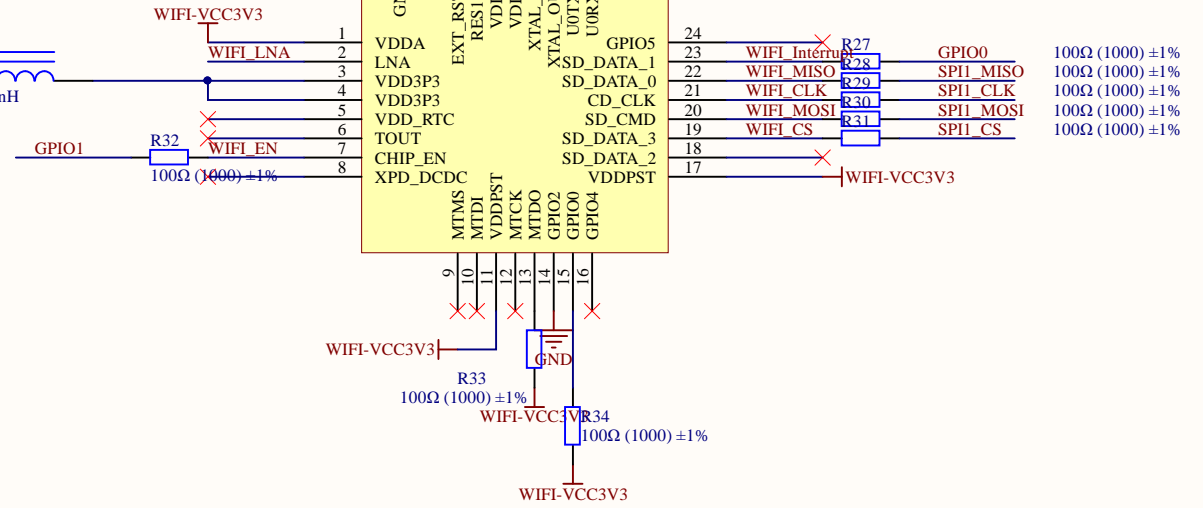
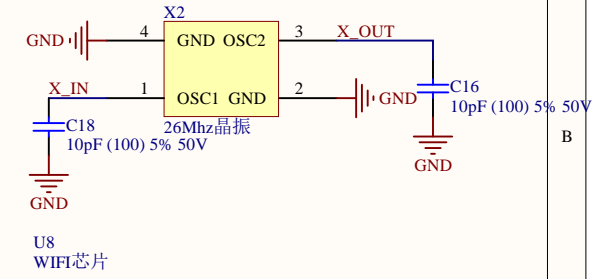
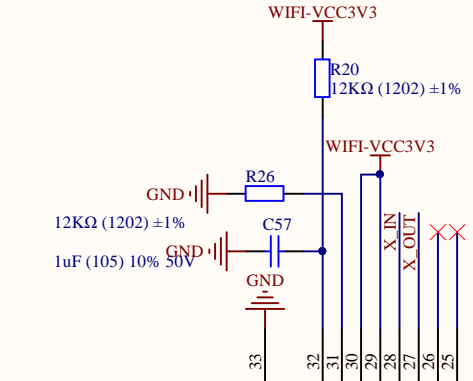
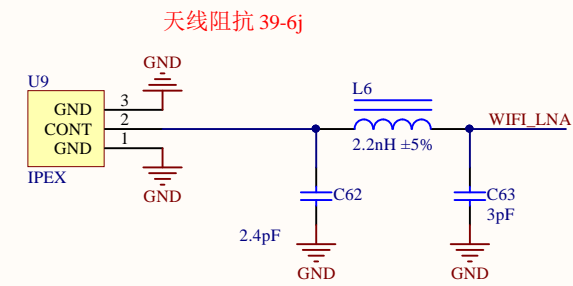
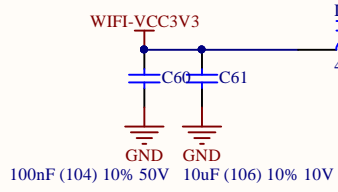
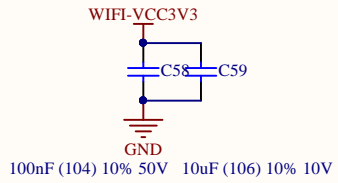
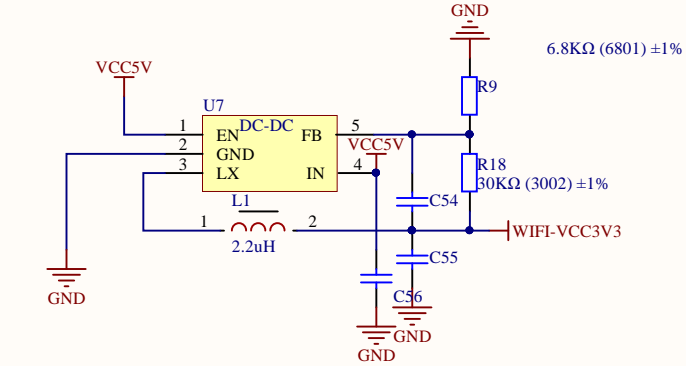
Title		
Size	Number	Revision
A4		
Date:	2020/11/24	Sheet of
File:	D:\Project\...\Link_M-key.SchDoc	Drawn By:



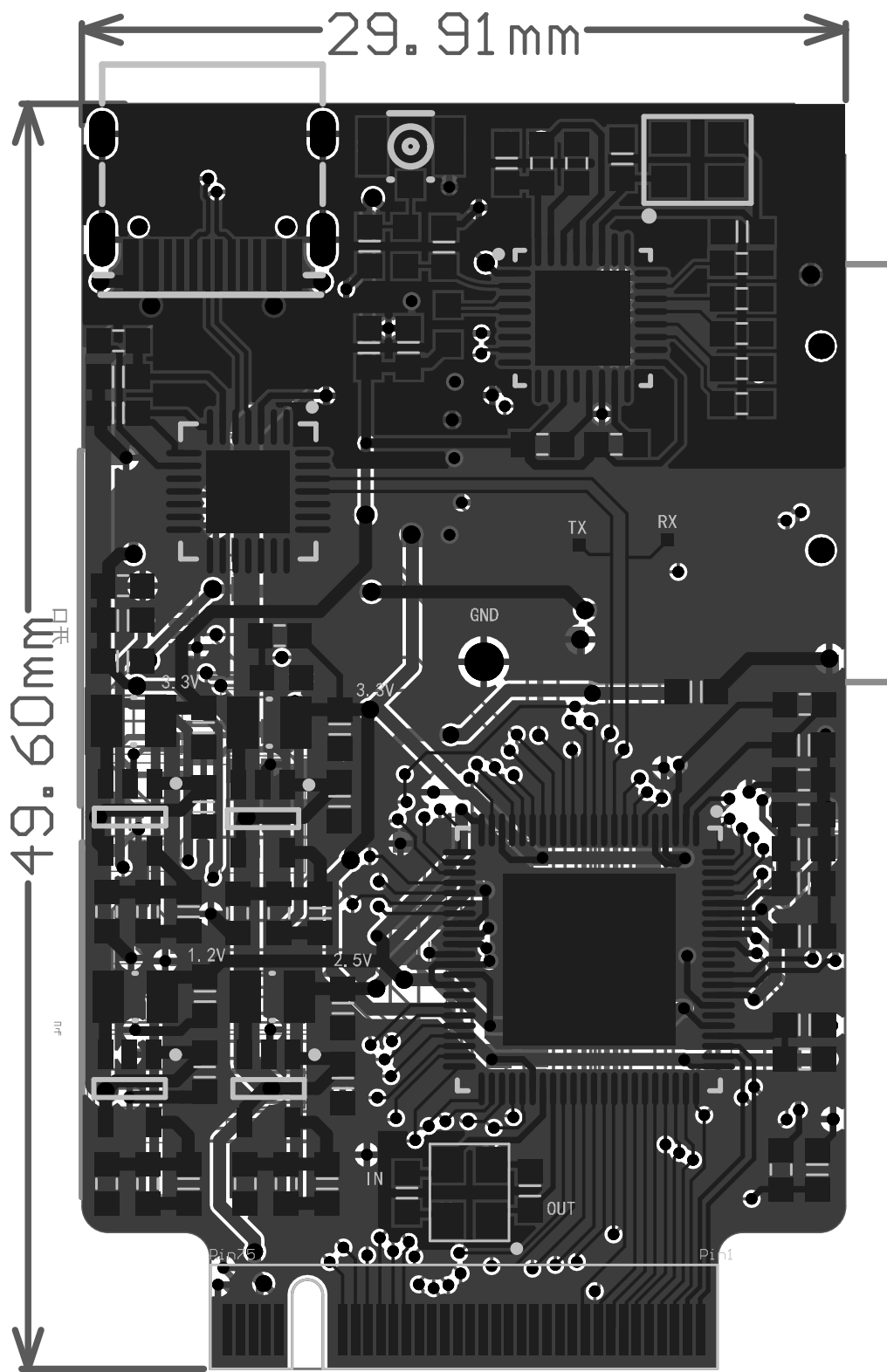
靠近芯片端的滤波电容组



Title		
Size	Number	Revision
A4		
Date:	2020/11/24	Sheet of
File:	D:\Project\...\Link_Power.SchDoc	Drawn By:



Title		
Size	Number	Revision
A4		
Date:	2020/11/24	Sheet of
File:	D:\Project\...\Link_Wifi.SchDoc	Drawn By:



Comment	Description	Designator	Footprint	LibRef	Quantity
1uF (105) 10% 50V	贴片电容	C1, C7, C8, C22, C23, C36, C57	0603_C	0603 1uF (105) 10% 50V	7
100nF (104) 10% 50V	贴片电容	C2, C10, C13, C14, C19, C20, C21, C26, C28, C29, C30, C33, C35, C38, C39, C40, C58, C60, C65	0603_C	0603 100nF (104) 10% 50V	19
10uF (106) 10% 10V	贴片电容	C3, C9, C15, C17, C25, C27, C31, C34, C37, C41, C43, C45, C53, C59, C61, C64	0603_C	0603 10uF (106) 10% 10V	16
4.7uF (475) 10% 16V	贴片电容	C4, C5, C6, C32	0603_C	0603 4.7uF (475) 10% 16V	4
10pF (100) 5% 50V	贴片电容	C11, C12, C16, C18	0603_C	0603 10pF (100) 5% 50V	4
1nF (102) 10% 50V	贴片电容	C24	0603_C	0603 1nF (102) 10% 50V	1
22pF (220) 5% 50V	贴片电容	C42, C47, C50, C54	0603_C	0603 22pF (220) 5% 50V	4
22uF (226) 20% 6.3V	贴片电容	C44, C46, C48, C49, C51, C52, C55, C56	0603_C	0603 22uF (226) 20% 6.3V	8
2.4pF	贴片电容	C62	0603_C	0603 2.7pF (2R7) 0.25pF 50V	1
3pF	贴片电容	C63	0603_C	0603 3pF (3R0) 0.25pF 50V	1
黄灯 0603	发光二极管	D1	0603_LED_S1	0603 黄灯	1
2.2uH	氧化贴片电感2.2uH	L1, L2, L3, L4	氧化贴片电感	氧化贴片电感2.2uH	4
4.3nH	贴片电感	L5	0603_L	0603 4.7nH 0.3nH	1
2.2nH ±5%	贴片电感	L6	0603_L	0603 10nH 5%	1
USB_C母座		P1	Type_C	Type_C	1
FPC	摄像头_FPC24Pin	P2	FPC_24Pin	摄像头_FPC24Pin	1
TF卡座		P3	SD_TF	TF_SD	1
M-key		P4	M.2_M-key	M.2_M-key	1
FPC_24Pin_0.5MM	显示屏FPC_24Pin	P5	FPC_24Pin	显示屏FPC_24Pin	1
LDO-3V		PM1	XC6206	XC6206-3V	1
LDO-2.8V		PM2	XC6206	XC6206-2.8V	1
0Ω (0R0) ±1%	贴片电阻	R1, R2, R16	0603_R	0603 0Ω (0R0) 1%	3
200KΩ (2003) ±1%	贴片电阻	R3	0603_R	0603 200KΩ (2003) 1%	1
10KΩ (1002) ±1%	贴片电阻	R4, R11, R12, R13, R14, R15, R24, R25	0603_R	0603 10KΩ (1002) 1%	8
22Ω (22R0) ±1%	贴片电阻	R5	0603_R	0603 22Ω (22R0) 1%	1
2KΩ (2001) ±1%	贴片电阻	R6, R7	0603_R	0603 2KΩ (2001) 1%	2
5.1KΩ (5101) ±1%	贴片电阻	R8	0603_R	0603 5.1KΩ (5101) 1%	1
6.8KΩ (6801) ±1%	贴片电阻	R9, R19	0603_R	0603 6.8KΩ (6801) 1%	2
1KΩ (5101) ±1%	贴片电阻	R10	0603_R	0603 5.1KΩ (5101) 1%	1
100KΩ (1003) ±1%	贴片电阻	R17	0603_R	0603 100KΩ (1003) 1%	1
30KΩ (3002) ±1%	贴片电阻	R18, R21	0603_R	0603 30KΩ (3002) 1%	2
12KΩ (1202) ±1%	贴片电阻	R20, R26	0603_R	0603 12KΩ (1202) 1%	2
15KΩ (1502) ±1%	贴片电阻	R22	0603_R	0603 15KΩ (1502) 1%	1
47KΩ (4702) ±1%	贴片电阻	R23	0603_R	0603 47KΩ (4702) 1%	1
100Ω (1000) ±1%	贴片电阻	R27, R28, R29, R30, R31, R32, R33, R34	0603_R	0603 100Ω (1000) 1%	8
10Ω (10R0) ±1%	贴片电阻	R35	0603_R	0603 10Ω (10R0) 1%	1
全志ARM9		U1	F1C200S	F1C200S	1
UART转换芯片		U2	CP2102N_28Pin	CP2102N	1
DC-DC	1.2V	U3	SSP6206	SSP6206-12NR	1
DC-DC	DC-DC	U4, U5, U6, U7	SY8089AAAC	SY8089AAAC	4
WIFI芯片	SPI-WIFI芯片	U8	ESP8266EX	ESP8266EX	1
IPEX	天线座	U9	ipex	天线座	1
24Mhz晶振		X1	YXC_24Mhz	晶振24Mhz	1
26Mhz晶振	26Mhz晶振	X2	晶振26Mhz	晶振26Mhz	1