

Title		
Size	Number	Revision
A		
Date:	2018/6/3	Sheet of
File:	E:\workspace\...\Audio.SchDoc	Drawn By:

1

2

3

4

A

A

B

B

C

C

D

D

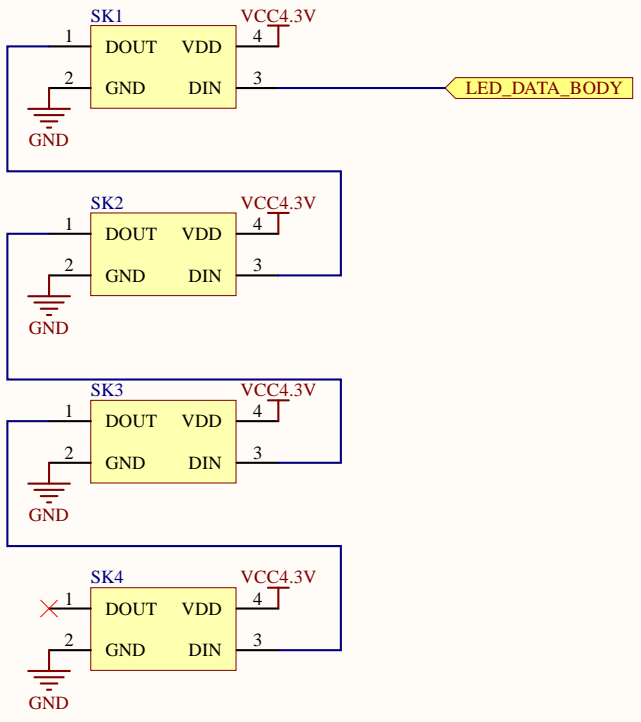
Title		
Size	Number	Revision
A		
Date:	2018/6/3	Sheet of
File:	E:\workspace\...\BLE.SchDoc	Drawn By:

1

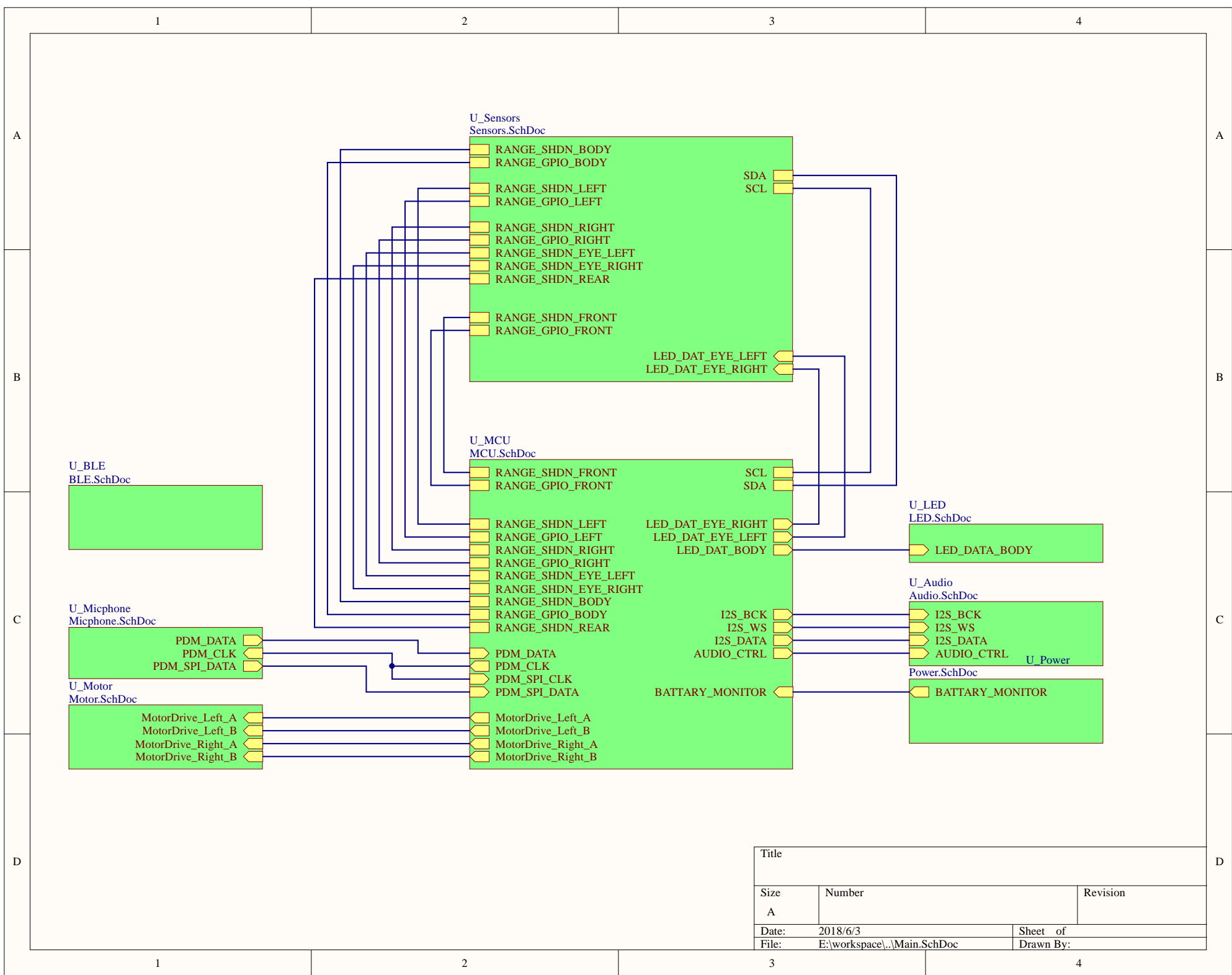
2

3

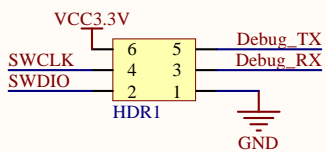
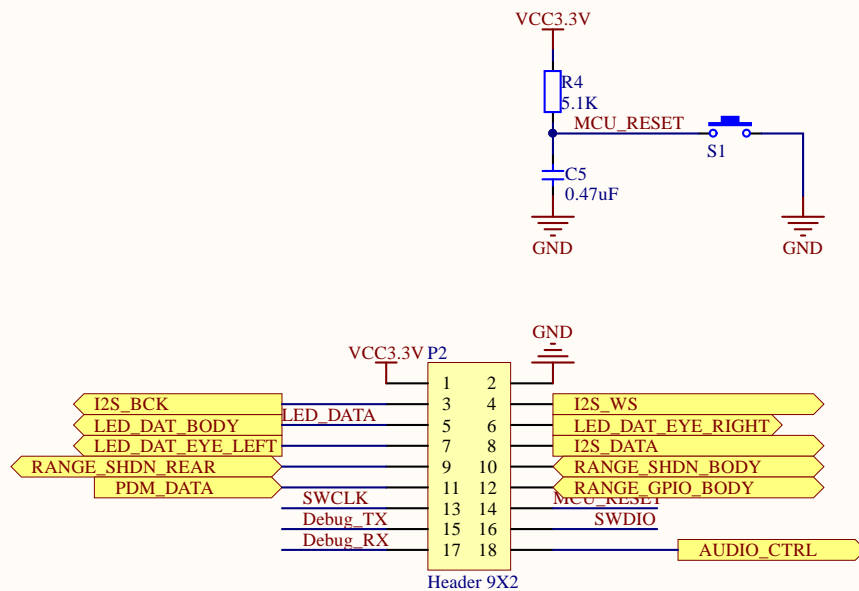
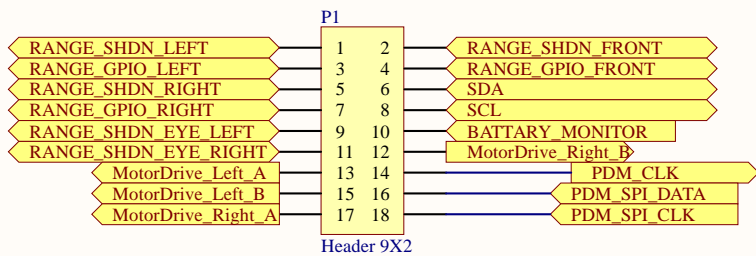
4



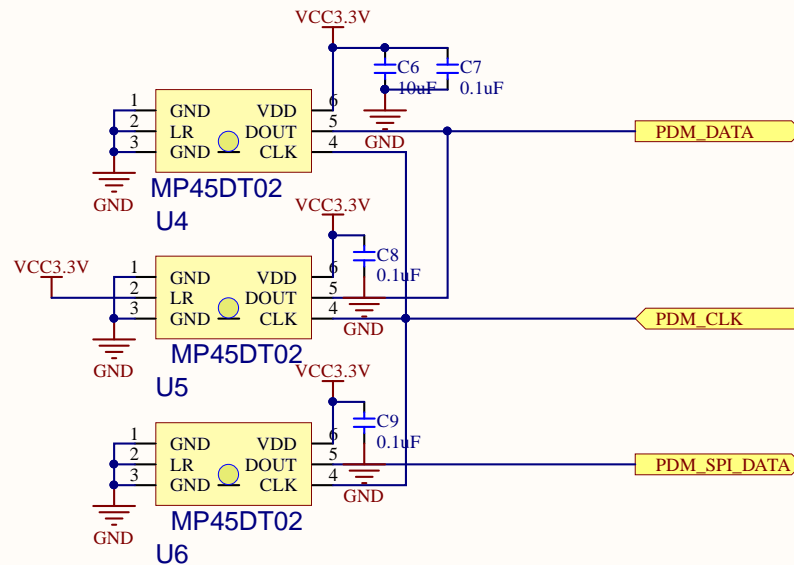
Title		
Size	Number	Revision
A		
Date:	2018/6/3	Sheet of
File:	E:\workspace\...\LED.SchDoc	Drawn By:



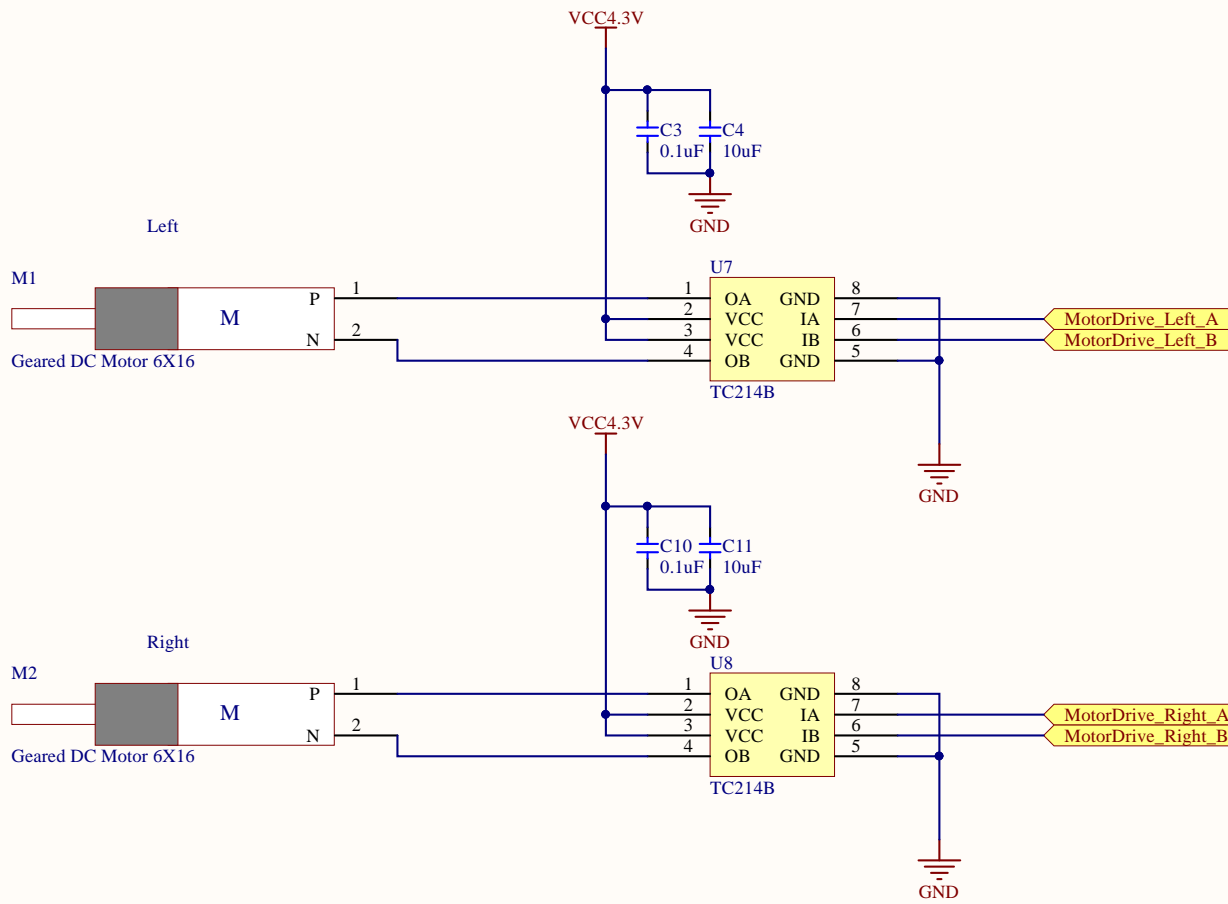
Title		
Size	Number	Revision
A		
Date:	2018/6/3	Sheet of
File:	E:\workspace\...\Main.SchDoc	Drawn By:



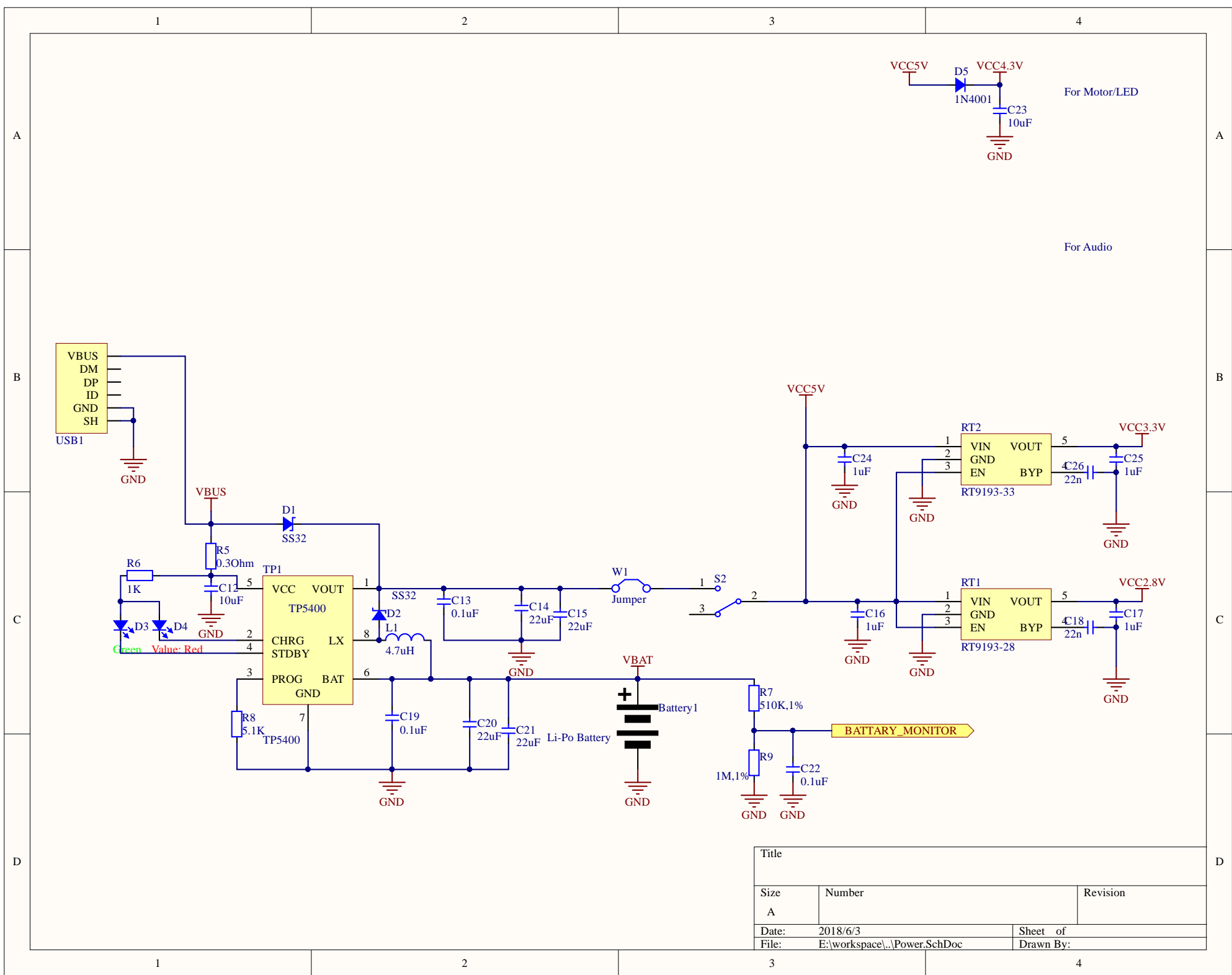
Title		
Size	Number	Revision
A		
Date:	2018/6/3	Sheet of
File:	E:\workspace\...\MCU.SchDoc	Drawn By:



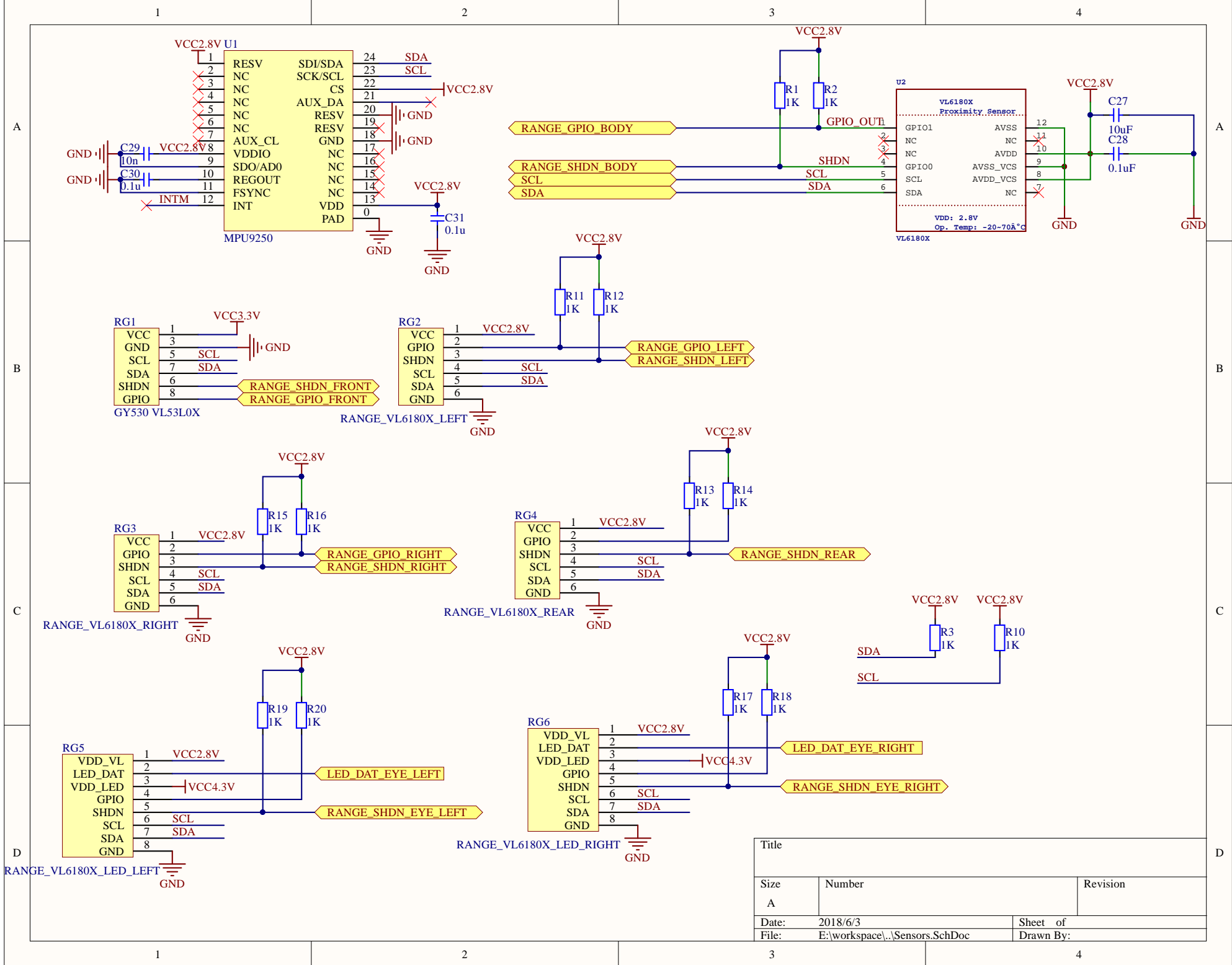
Title		
Size	Number	Revision
A		
Date:	2018/6/3	Sheet of
File:	E:\workspace\...\Micphone.SchDoc	Drawn By:



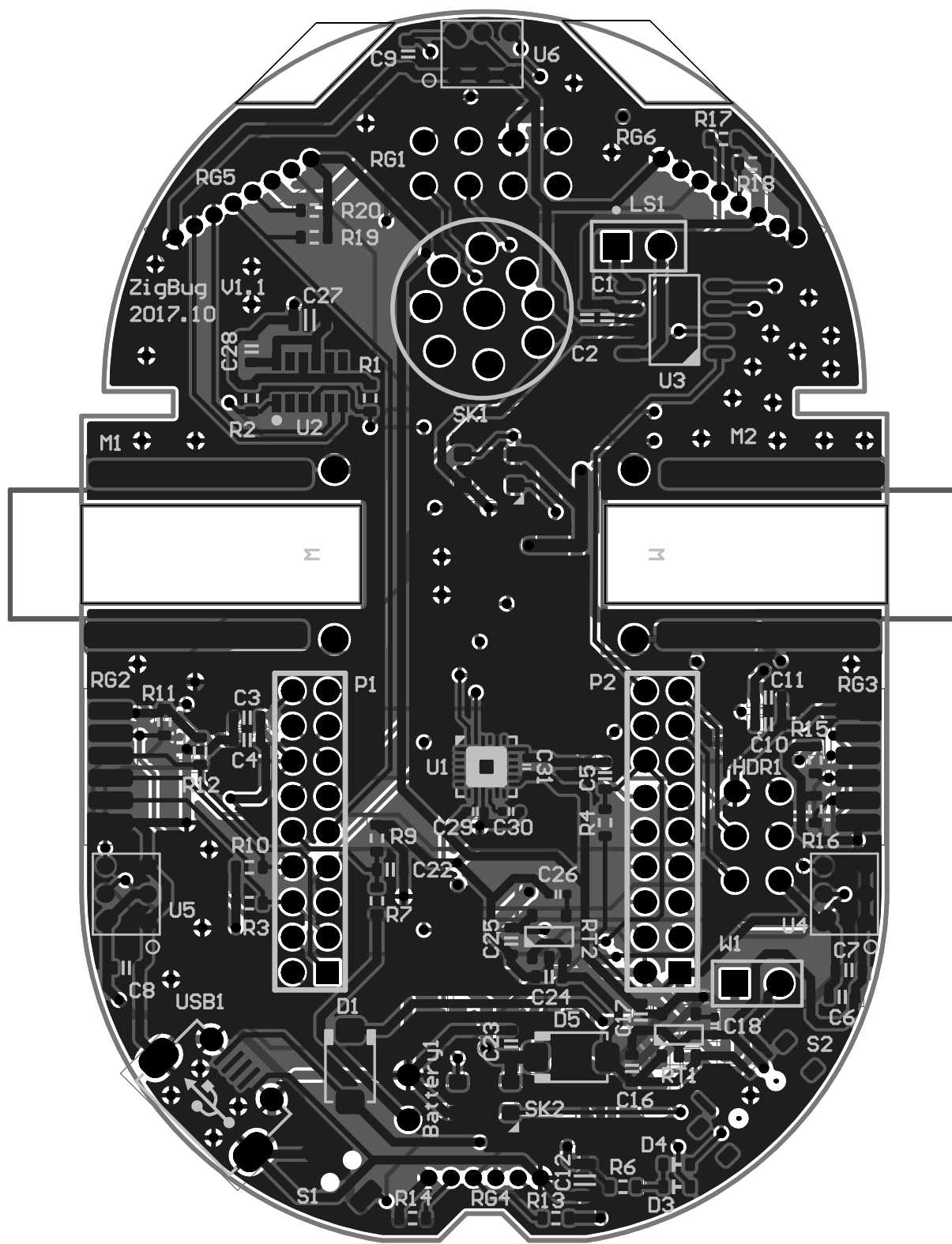
Title		
Size	Number	Revision
A		
Date:	2018/6/3	Sheet of
File:	E:\workspace\...\Motor.SchDoc	Drawn By:



Title		
Size	Number	Revision
A		
Date:	2018/6/3	Sheet of
File:	E:\workspace\...\Power.SchDoc	Drawn By:



Title		
Size	Number	Revision
A		
Date:	2018/6/3	Sheet of
File:	E:\workspace\...\Sensors.SchDoc	Drawn By:



Comment	Description	Designator	Footprint	LibID	Qty	Value
L-Po Battery	Li-Io Rechargeable Battery	Battery1	HER102_2.54_180	1000	1	
Cap_0603	Capacitor	C1, C3, C7, C8, C9, C10, C18, C19, C22, C28	CAP_0603	1000	1	100n
Cap_0603	Capacitor	C2, C4, C6, C11, C23	CAP_0603	1000	1	100n
Cap_0603	Capacitor	C5	CAP_0603	1000	1	100n
Cap_0605	Capacitor	C12, C27	CAP_0605	1000	1	220n
Cap_0605	Capacitor	C14, C15, C20, C21	CAP_0605	1000	1	220n
Cap_0603	Capacitor	C16, C17, C24, C25	CAP_0603	1000	1	100n
Cap_0402	Capacitor	C18, C26	CAP_0402	1000	1	100n
Cap_0402	Capacitor	C29	CAP_0402	1000	1	100n
Cap_0402	Capacitor	C28, C31	CAP_0402	1000	1	100n
Shimmy/Head_S0D123	Shim	S1, S3	S0_214AC	1000	1	0.01
Green LED 0603	LED	S2	LED_0603_06D	1000	1	Green
Red LED 0603	LED	S4	LED_0603_06D	1000	1	Red
W4001	Shim	S5	S0_214AC	1000	1	0.01
HER004_2.54	Header	HE01	HER004_2.54_180	1000	1	
Ind_C0502	Inductor	L1	IND_C0502	1000	1	50uH
Speaker	loudspeaker	S1	SPK2	1000	1	
General DC Motor 6X16	General DC Motor, diam 16, L=16mm	M1, M2	General_DC_Motor_A	1000	1	
Header 002	Header 8 Pin Dual row	H1, H2	HER002_2.00_180	1000	1	
Res_0603	Resistor	R1, R2, R3, R6, R10, R11, R12, R13, R14, R15, R16, R17, R18, R19, R20	RES_0603	1000	1	100k
Res_0603	Resistor	R4, R8	RES_0603	1000	1	20k
Res_0603	Resistor	R5	RES_0603	1000	1	100k
Res_0603	Resistor	R7	RES_0603	1000	1	10k
Res_0603	Resistor	R9	RES_0603	1000	1	10k
Q13UR_VLS300	For fault range detection VLS300	Q1	HER004_2.54_180	1000	1	
RANGE_VLS1HEX_LEFT		Q2	HER104_1.27_180PL	1000	1	
RANGE_VLS1HEX_RIGHT		Q3	HER104_1.27_180PL	1000	1	
RANGE_VLS1HEX_REAR		Q4	HER104_1.27_180	1000	1	
RANGE_VLS1HEX_LED_LEFT		Q5	HER104_1.27_180	1000	1	
RANGE_VLS1HEX_LED_RIGHT		Q6	HER104_1.27_180	1000	1	
BT110-28	Power	BT1	BT123-5	1000	1	
BT110-33	Power	BT2	BT123-5	1000	1	
ButtonTACT_3x4x2_180	Button	B1	ButtonTACT_3x4x2_1	1000	1	
SwitchSPDT_2.54x6.90	Switch	S1	SwitchSPDT_2.54x6.90	1000	1	
LED_3535_5K6812	LED	S61, S62, S63, S64	LED_3535_4P	1000	1	
CP4002	Charge	CP1	CP4002	1000	1	
SPV1020	Sensor Motion	S1	SPV_10x24	1000	1	
V41800	0.1 Ohm Audio Amp with I2S input	I2	VGA12_ST4_0K2-01	1000	1	
NS4148	0.1 Ohm Audio Amp with I2S input	I3	NSP_4150_8	1000	1	
MP40202	MS-Dos Directional Joystick 3.6V	J4, J5, J6	ST_16-GAN	1000	1	
UC2148	DC Motor Driver 700mV	J7, J8	NSP_4150_8	1000	1	
USB Mini B	USB	USB1	USB_Micro AB	1000	1	
Lampur	Lampur Wku	B1	HER102	1000	1	