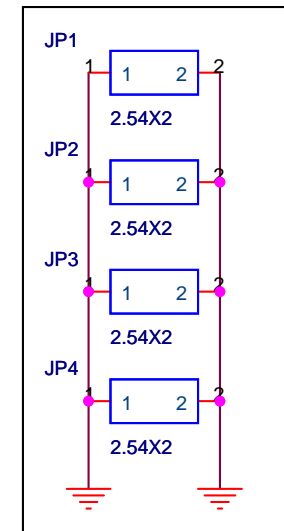
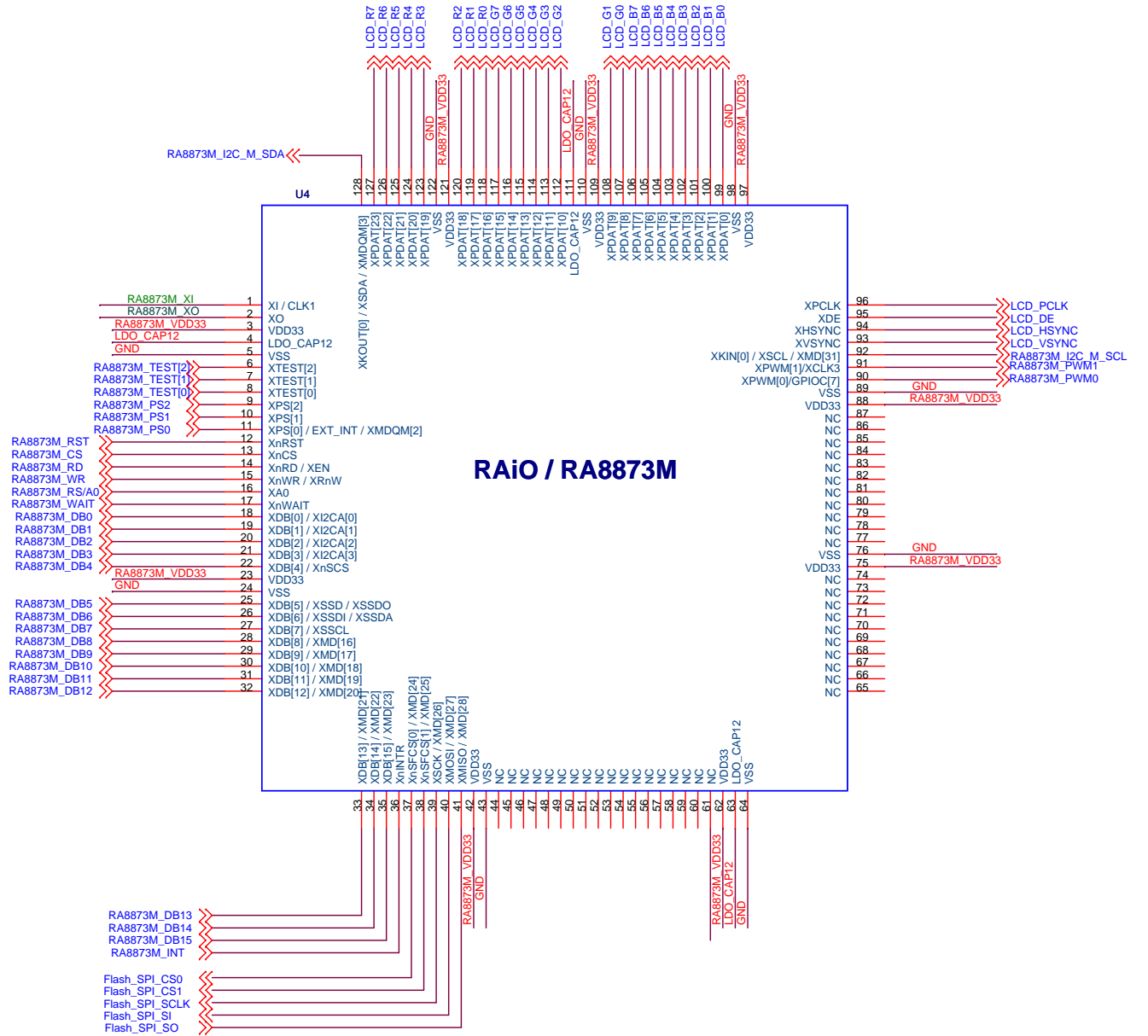
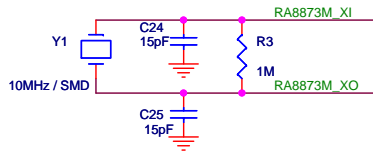
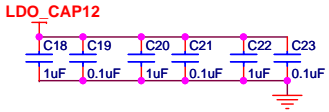
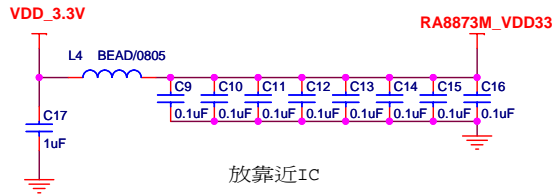


分布板子四邊

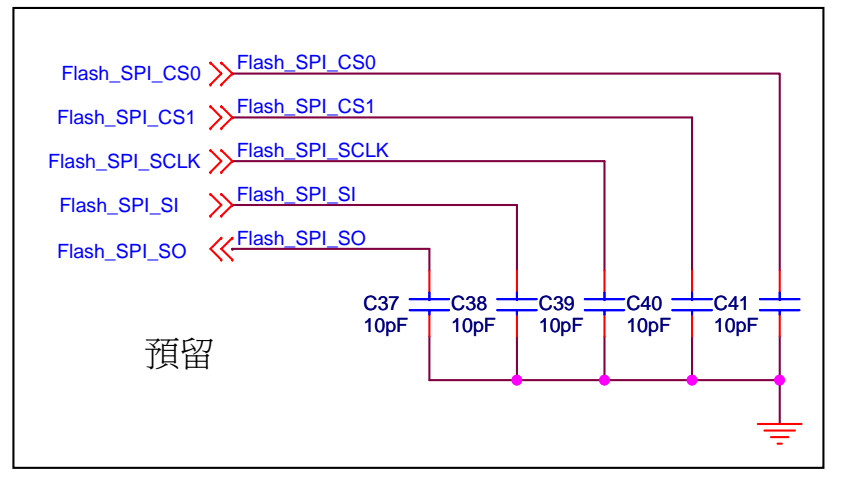
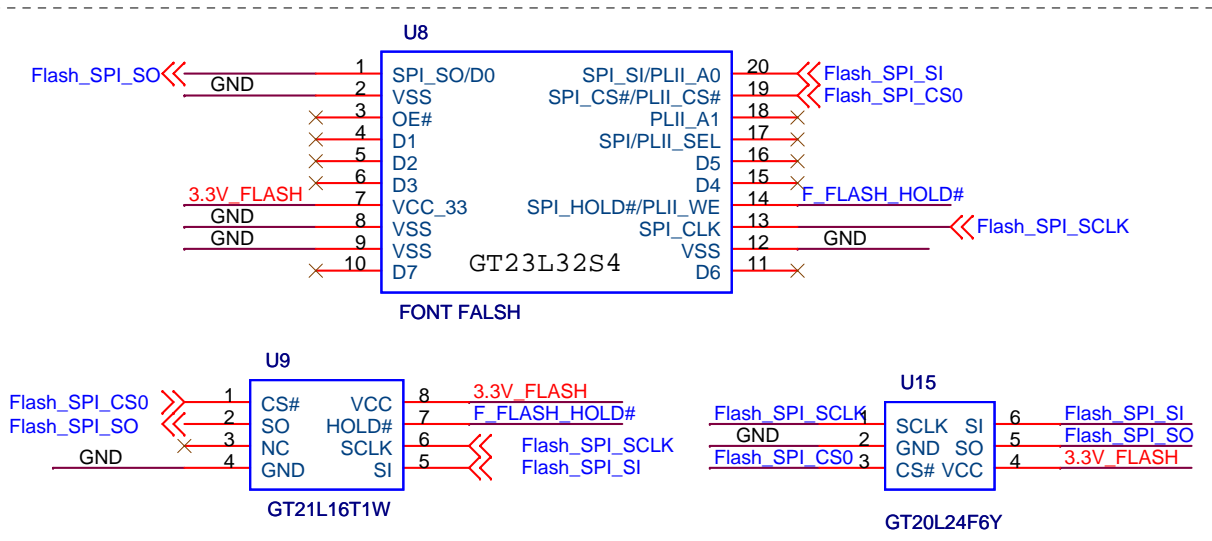
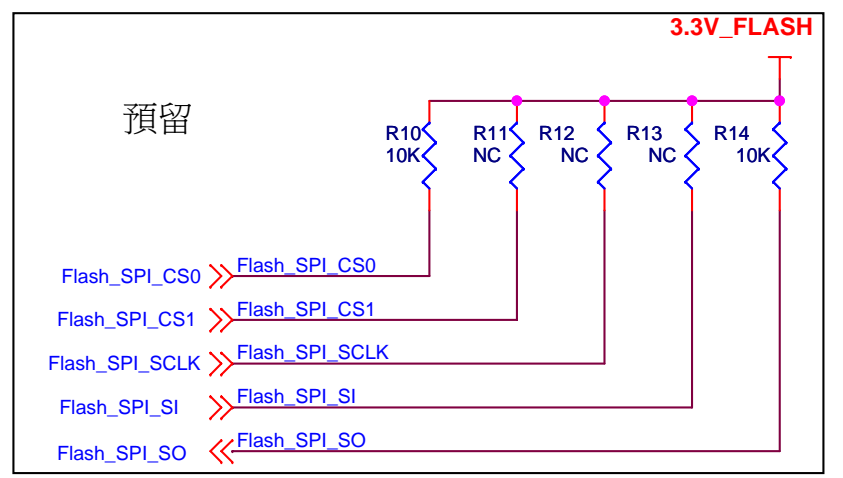
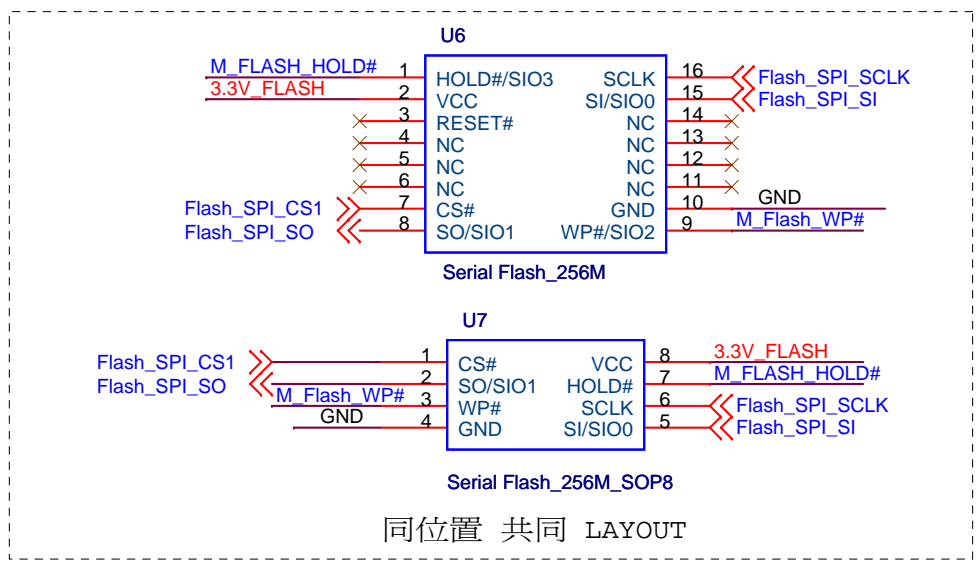
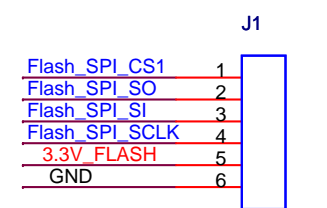
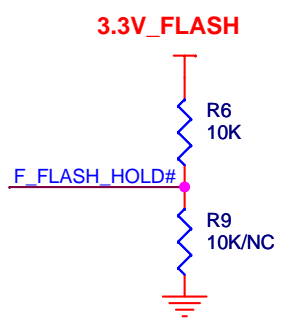
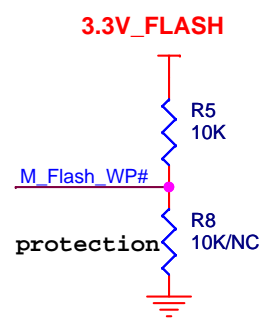
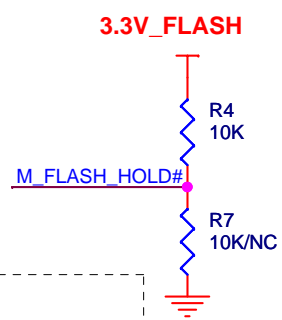
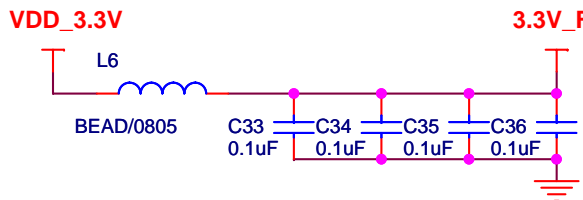


RA8873M_B_Demo Board

Size A	Document Number 01_RA8873M_VCC	Rev A
Date: Friday, January 06, 2017	Sheet 1	of 7

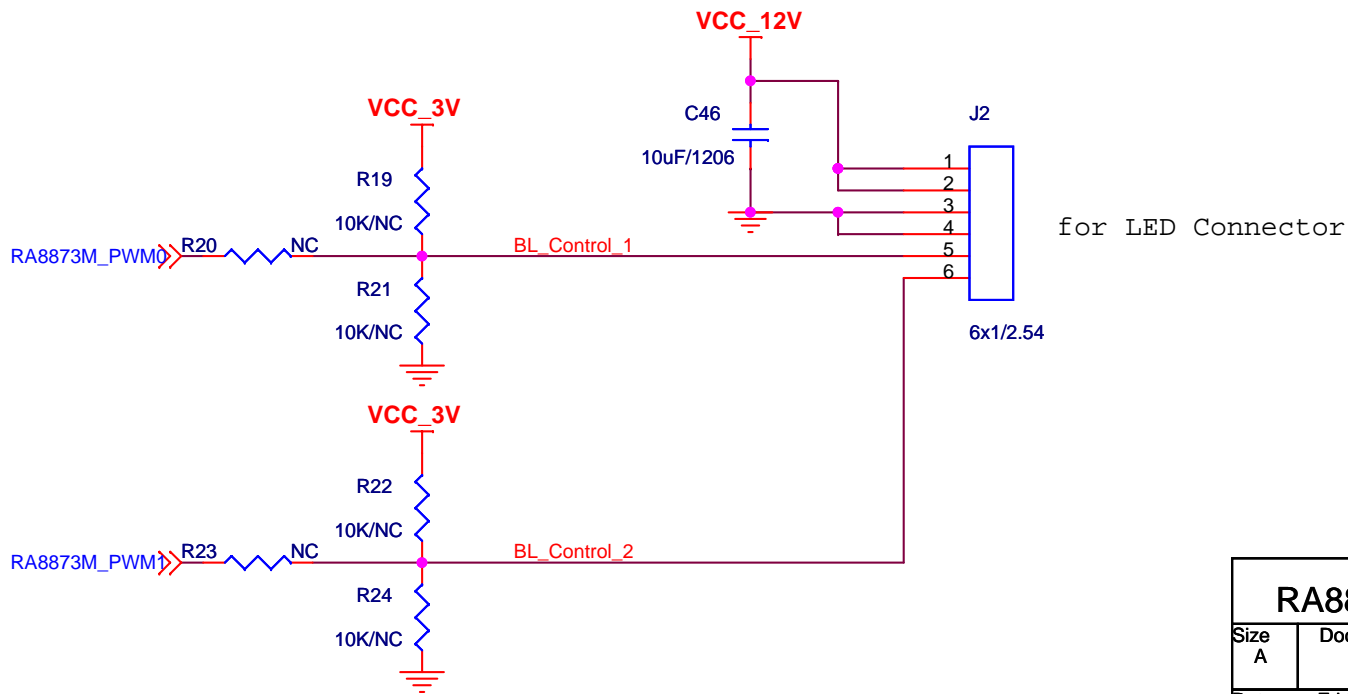
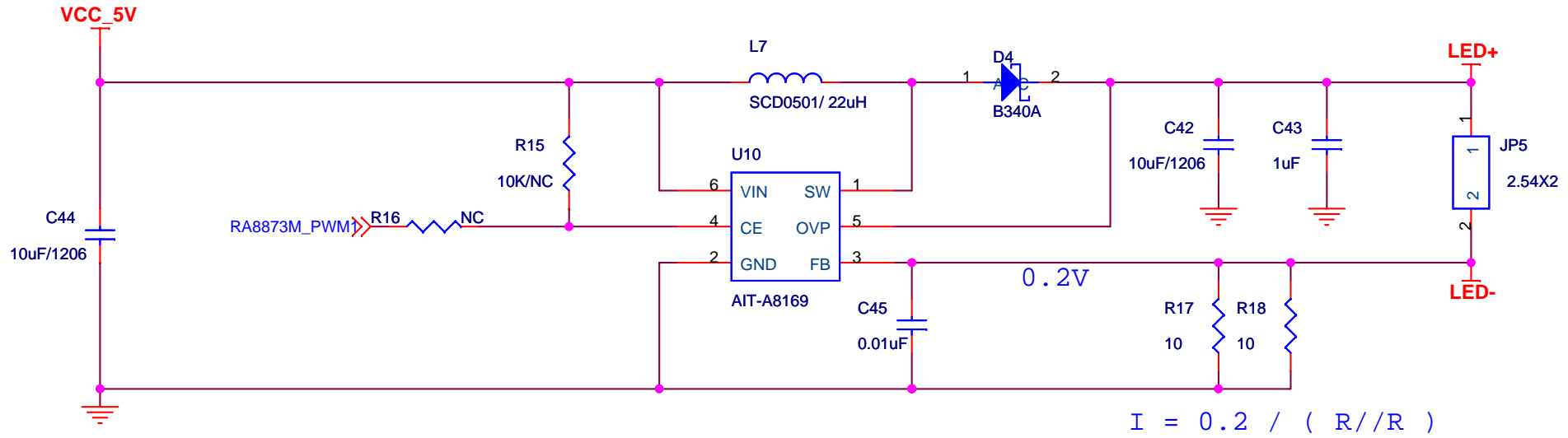


RA8873M_B_Demo Board		
Size B	Document Number	Rev A
	02_RA8873M_Chip	
Date:	Friday, January 06, 2017	Sheet 2 of 7

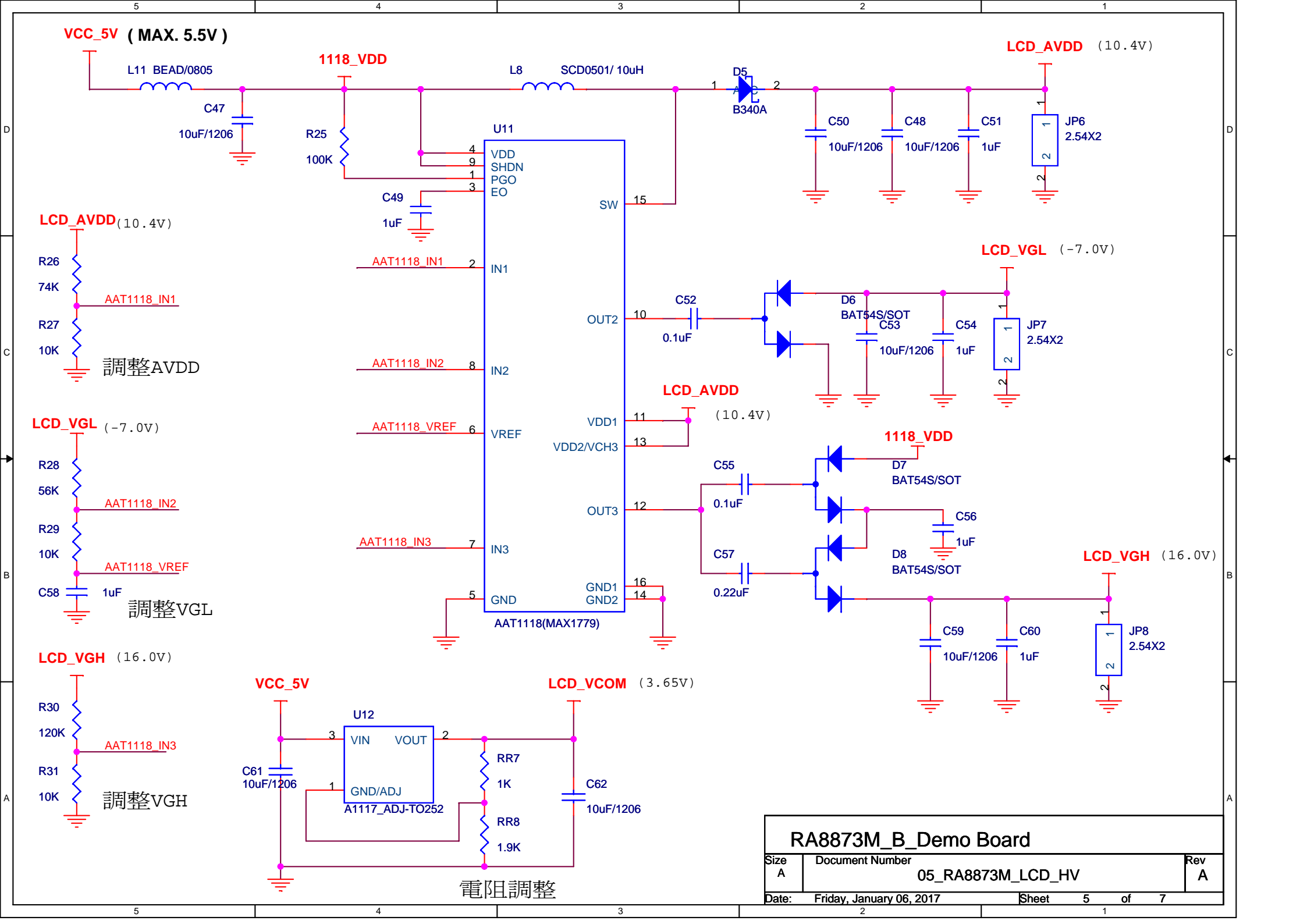


RA8873M_B_Demo Board		
Size A	Document Number 03_RA8873M_Flash	Rev A
Date:	Friday, January 06, 2017	Sheet 3 of 7

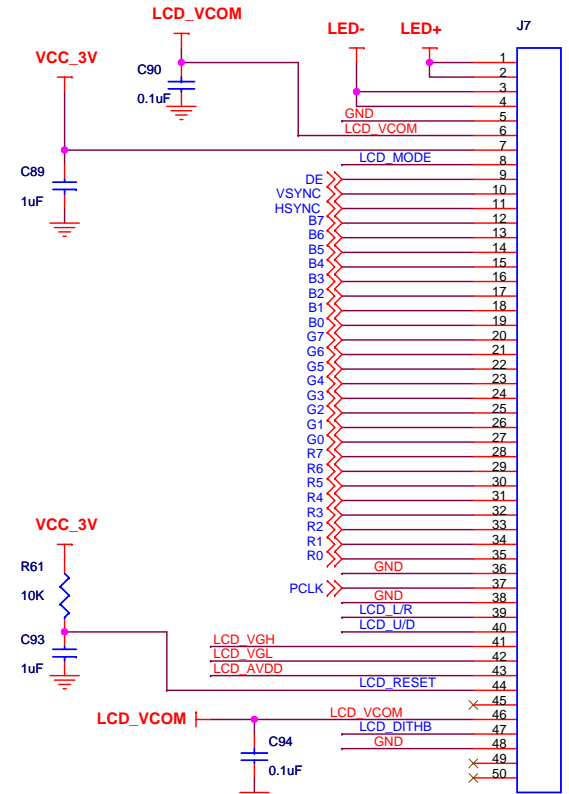
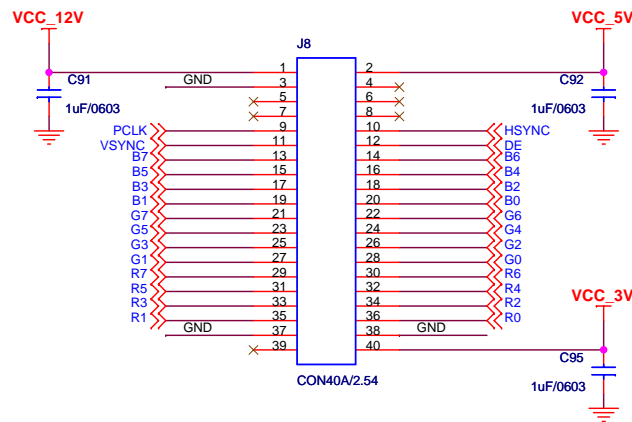
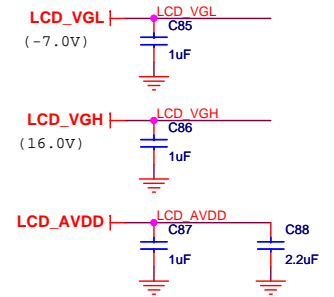
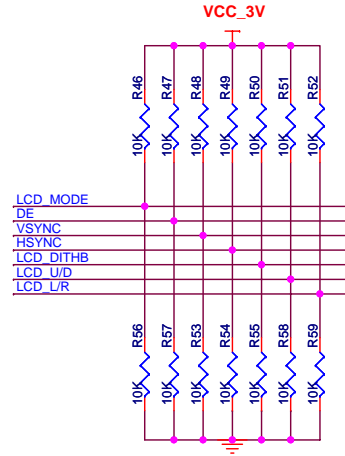
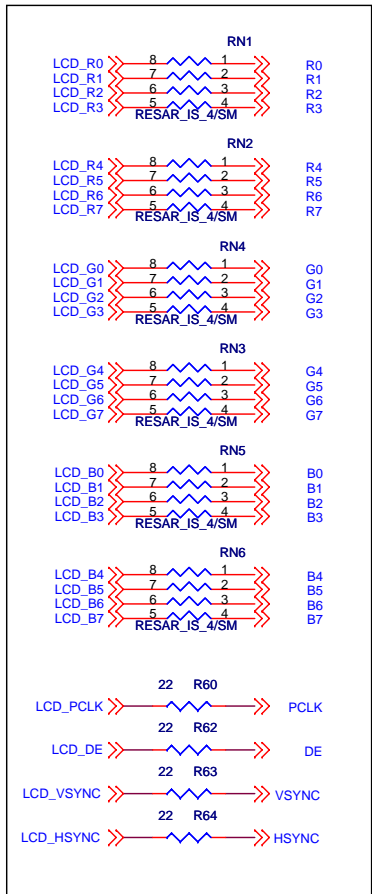
(MAX. 6.0V)



RA8873M_B_Demo Board		
Size A	Document Number 04_RA8873M_LCD_BL	Rev A
Date: Friday, January 06, 2017	Sheet 4	of 7

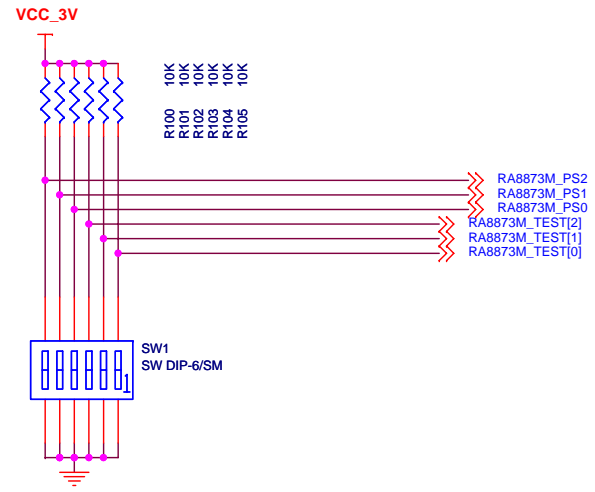
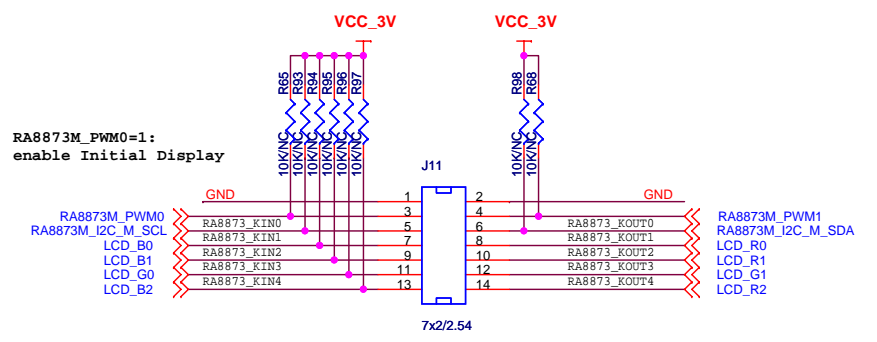
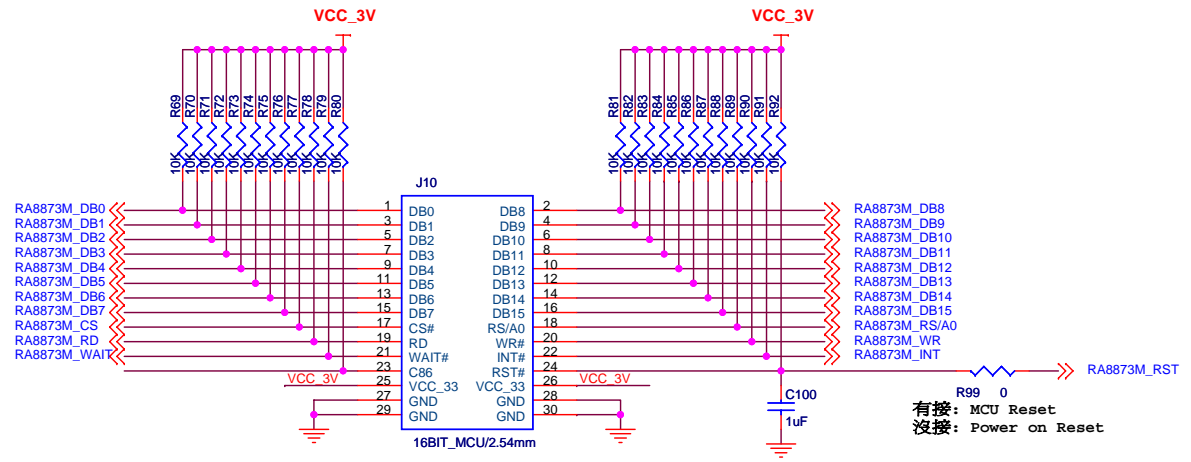
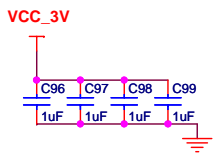


RA8873M_B Demo Board		
Size A	Document Number 05_RA8873M_LCD_HV	Rev A
Date:	Friday, January 06, 2017	Sheet 5 of 7



上接式 FPC: 0.5mm(0.35mm+0.15mm)

RA8873M_B_Demo Board		
Size B	Document Number 06_RA8873M_LCD_I/F	Rev A
Date: Friday, January 06, 2017	Sheet 6	of 7



[P.6/5/4]
00x : 8080
01x : 6800
100 : 3-wire
101 : 4-wire
11x : I2C

RA8873M_B_Demo Board		
Size B	Document Number 07_RA8873M_MCU_I/F	Rev A
Date: Friday, January 06, 2017	Sheet 7	of 7