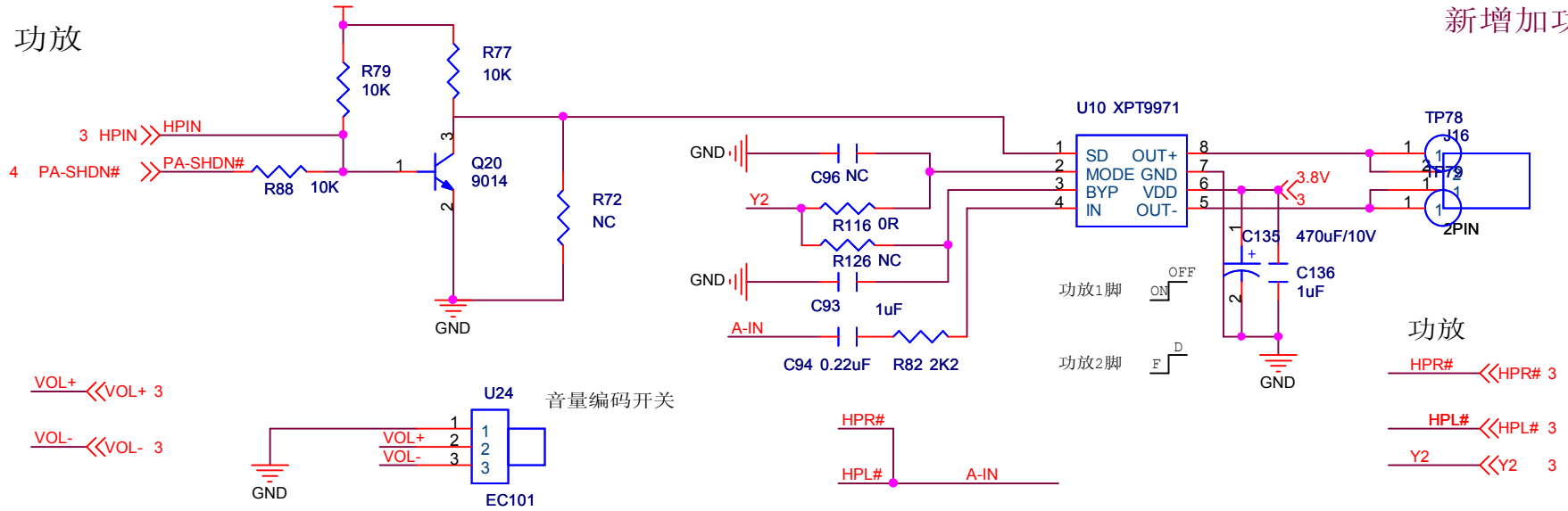


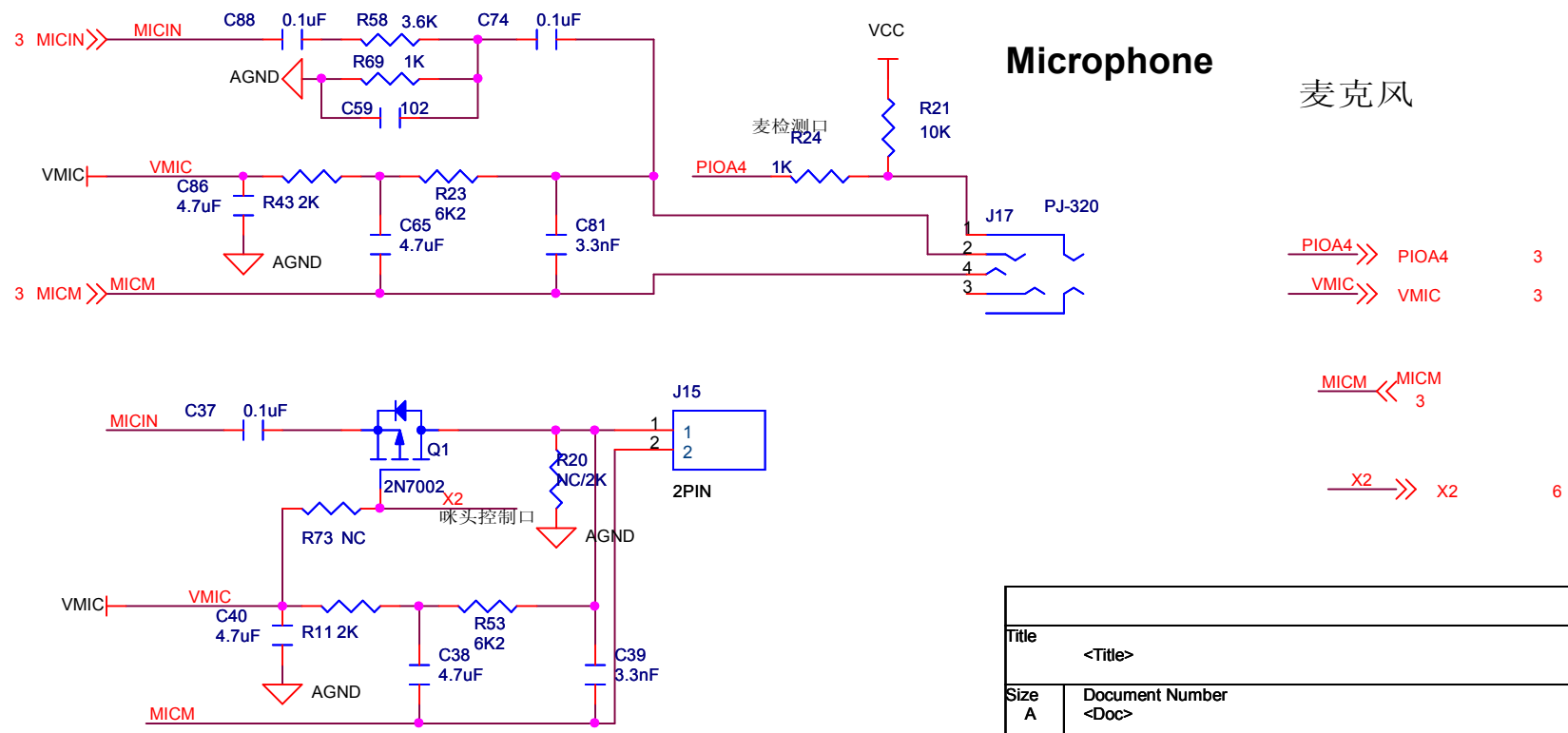
功放

新增加功放



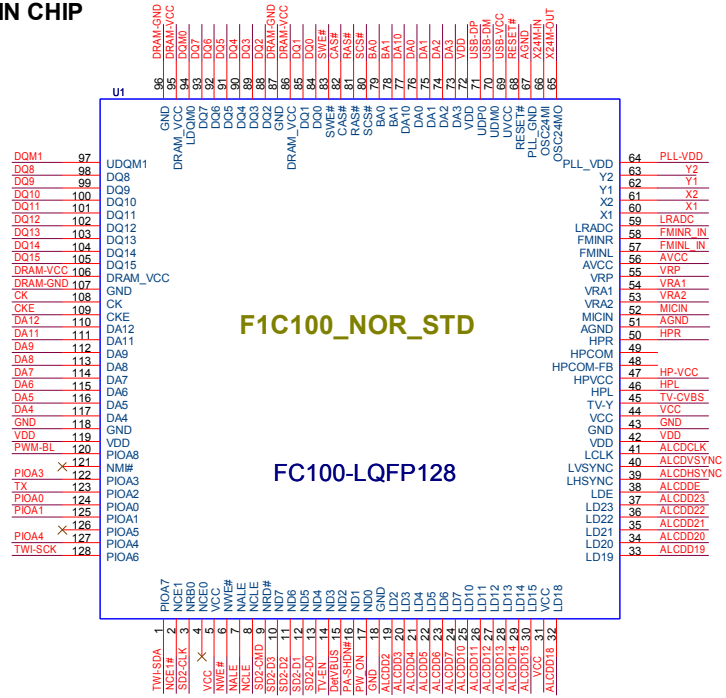
Microphone

麦克风



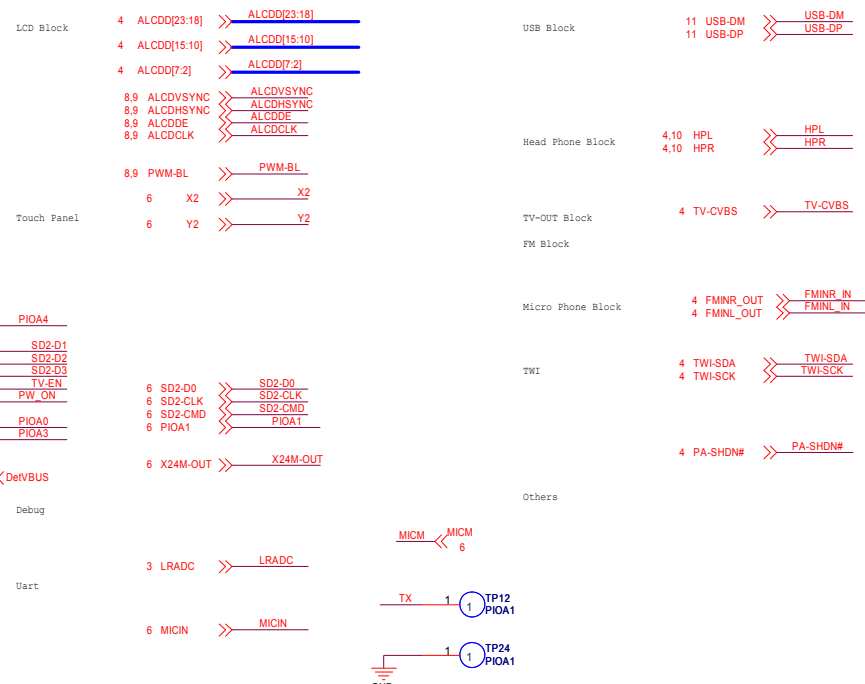
Title		
<Title>		
Size	Document Number	Rev
A	<Doc>	<RevCode>
Date: Monday, June 16, 2014		
Sheet 1 of 1		

MAIN CHIP

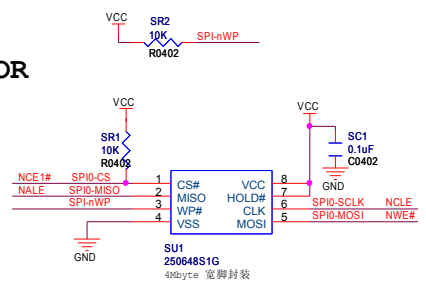


F1C100_NOR_STD

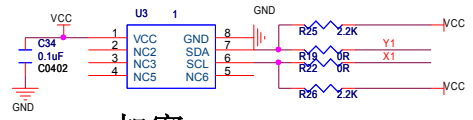
FC100-LQFP128



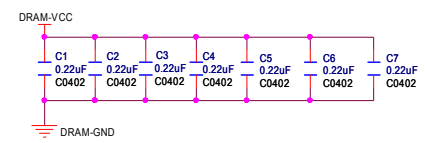
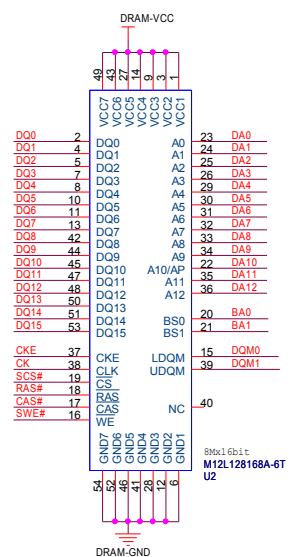
NOR



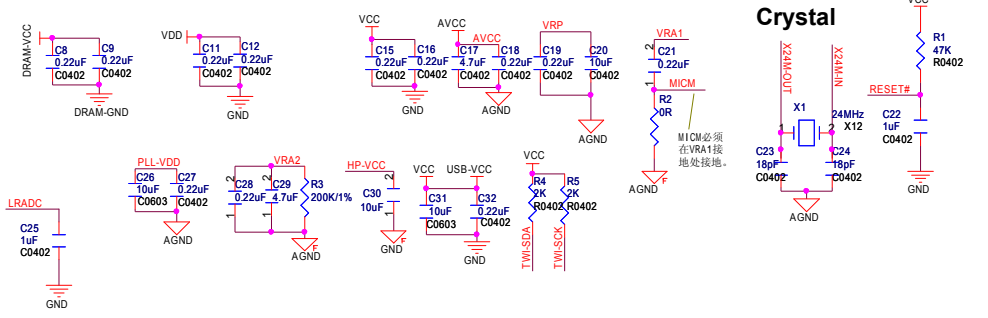
加密IC



SDR



BESIDE MAIN CHIP



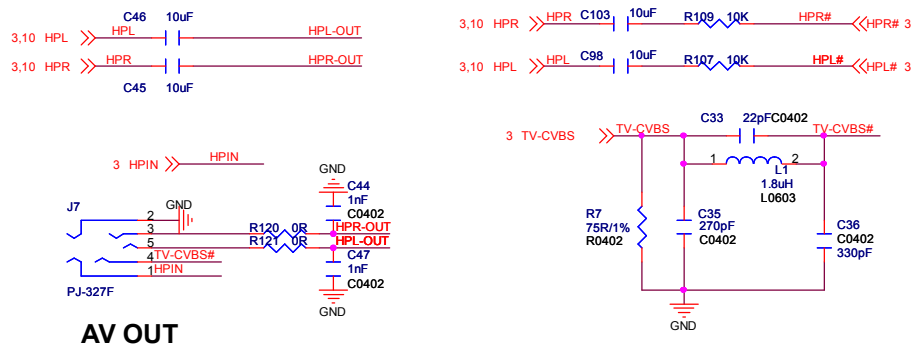
珠海全志科技有限公司

File: PVP F1C100参考设计图

Size: A3 Document Number: PVP_F1C100_NOR_STD_V1.5_110915 Rev: <RevCode>

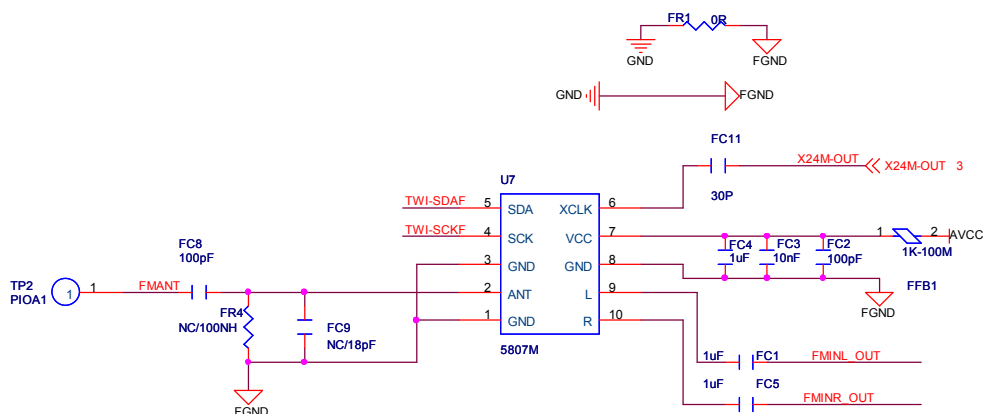
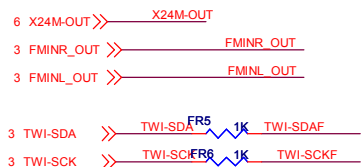
Date: Saturday, June 14, 2014 Sheet: 3 of 7

Head Phone & TVOUT

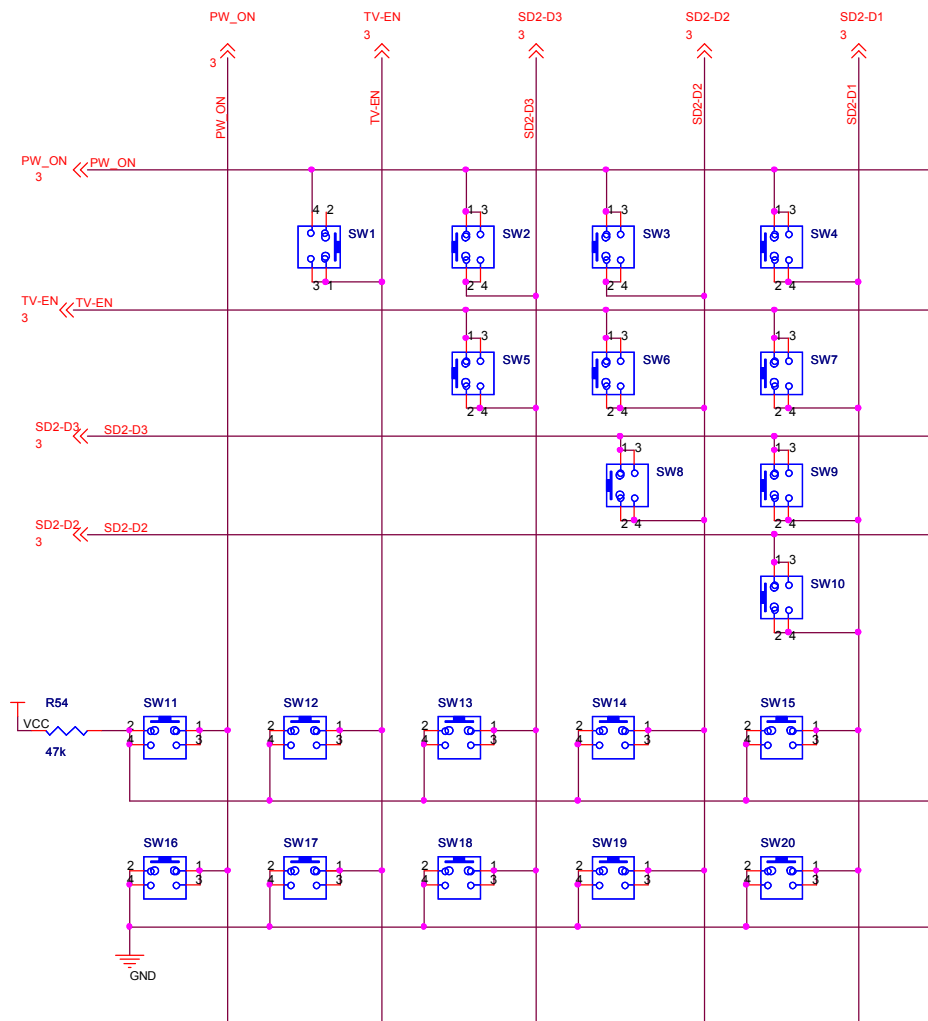


AV OUT

FM Module



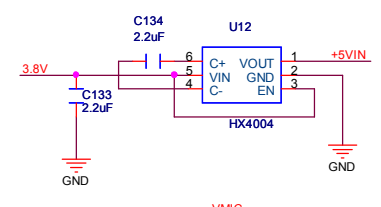
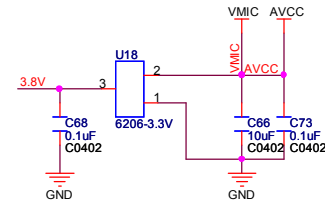
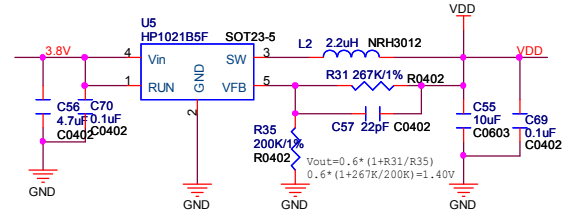
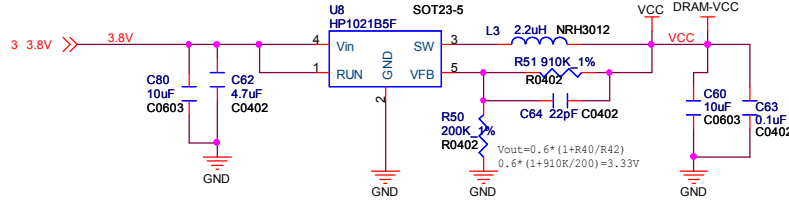
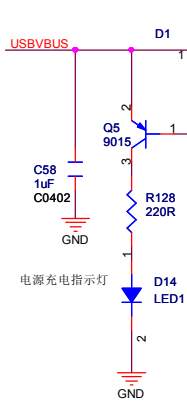
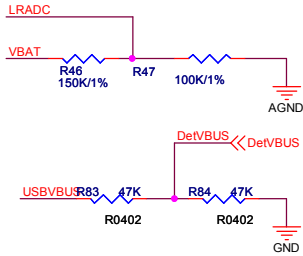
KEY



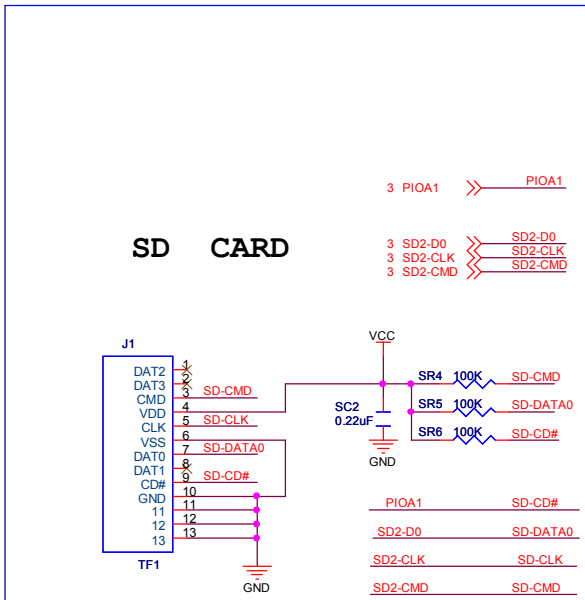
珠海全志科技有限公司		
Title	PVP F1C100参考设计图	
Size	Document Number	Rev
B	PVP_F1C100_NOR_STD_V1.5_110915	<RevCode>
Date:	Saturday, June 14, 2014	Sheet 4 of 7

POWER

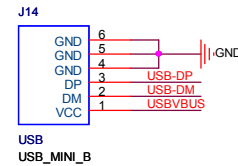
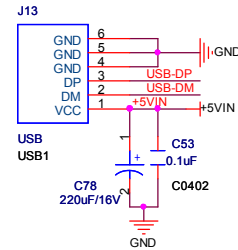
电池检测口



- 3 LRADC \rightarrow LRADC
- 3 LRADC \rightarrow LRADC
- 3 USB-DM \rightarrow USB-DM
- 3 USB-DP \rightarrow USB-DP



USB Port

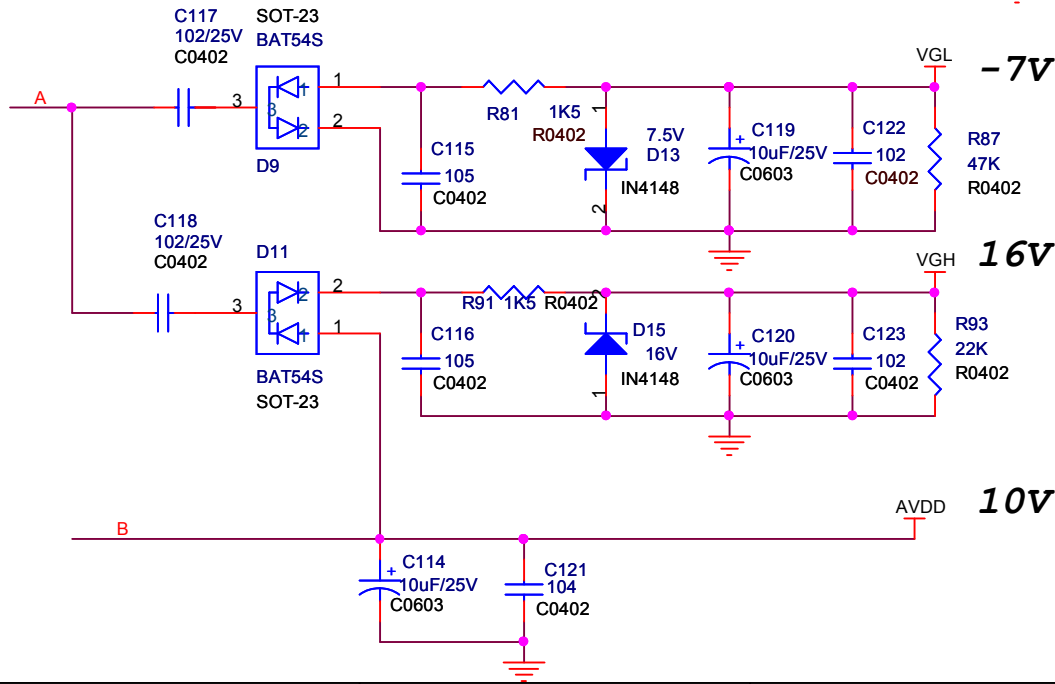
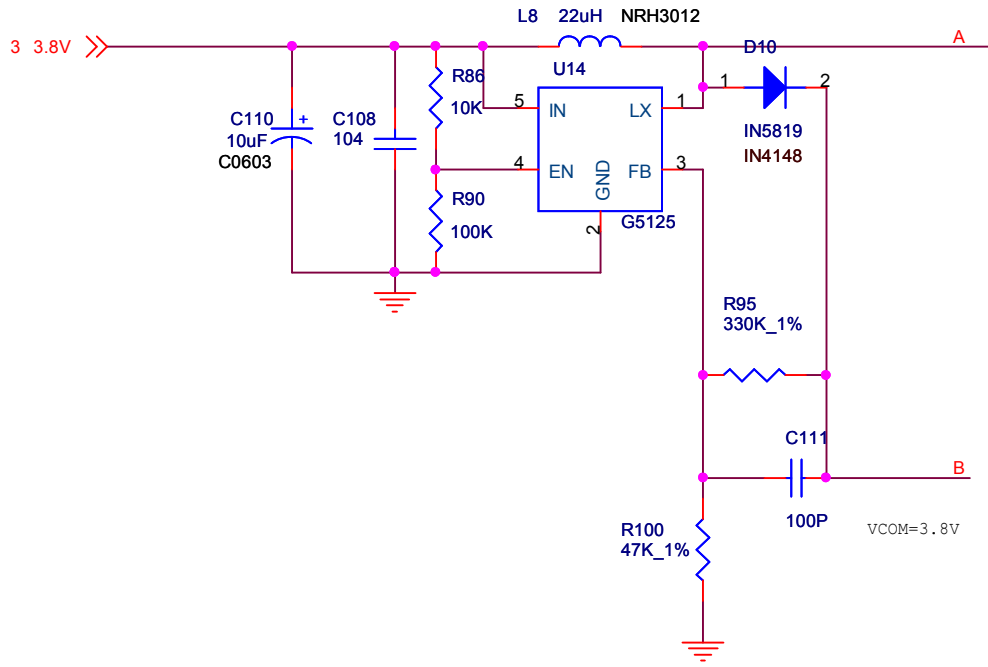


珠海全志科技有限公司

Title PVP F1C100参考设计图

Size B	Document Number PVP_F1C100_NOR_STD_V1.5_110915	Rev <RevCode>
Date: Saturday, June 14, 2014	Sheet 5	of 7

LCD 7"

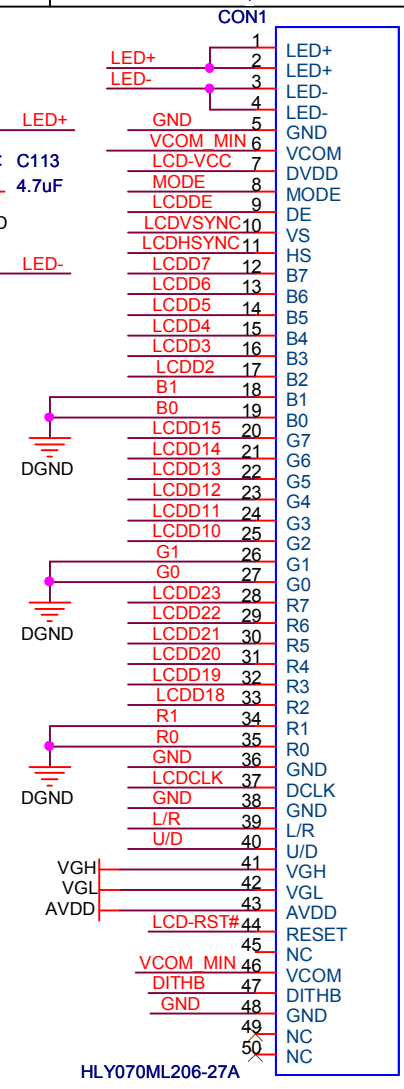
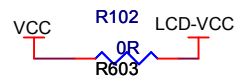
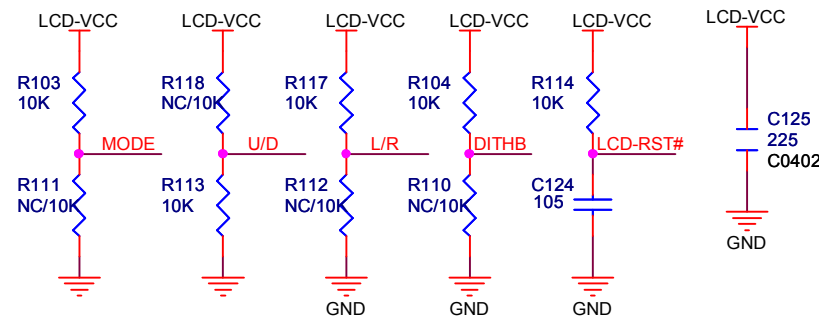
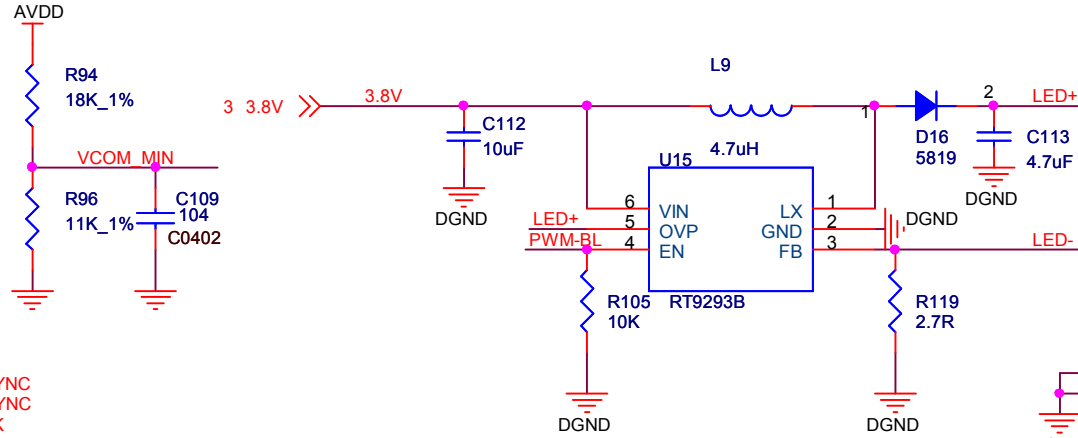
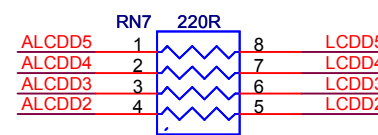
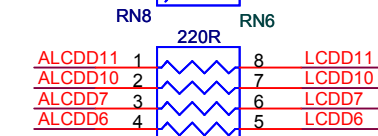
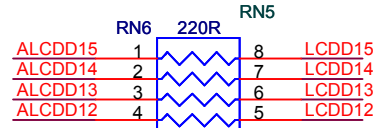
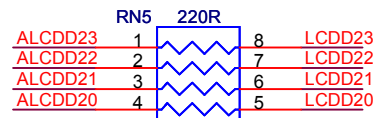
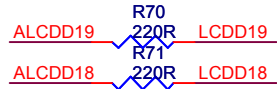
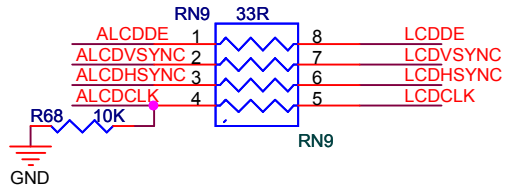


Title		
<Title>		
Size	Document Number	Rev
A	<Doc>	<RevCode>
Date:	Monday, June 16, 2014	Sheet 6 of 7

LCD Block

- 4 ALCDHSYNC >> ALCDHSYNC
- 4 ALCDVSYNC >> ALCDVSYNC
- 4 ALCDDE >> ALCDDE
- 4 ALCDCLK >> ALCDCLK

- 8,9 PWM-BL >> PWM-BL
- 4 LCDD[23:18] >> LCDD[23:18]
- 4 LCDD[15:10] >> LCDD[15:10]
- 4 LCDD[7:2] >> LCDD[7:2]



Title		
<Title>		
Size	Document Number	Rev
A	<Doc>	<RevCode>
Date:	Saturday, June 14, 2014	Sheet 7 of 7